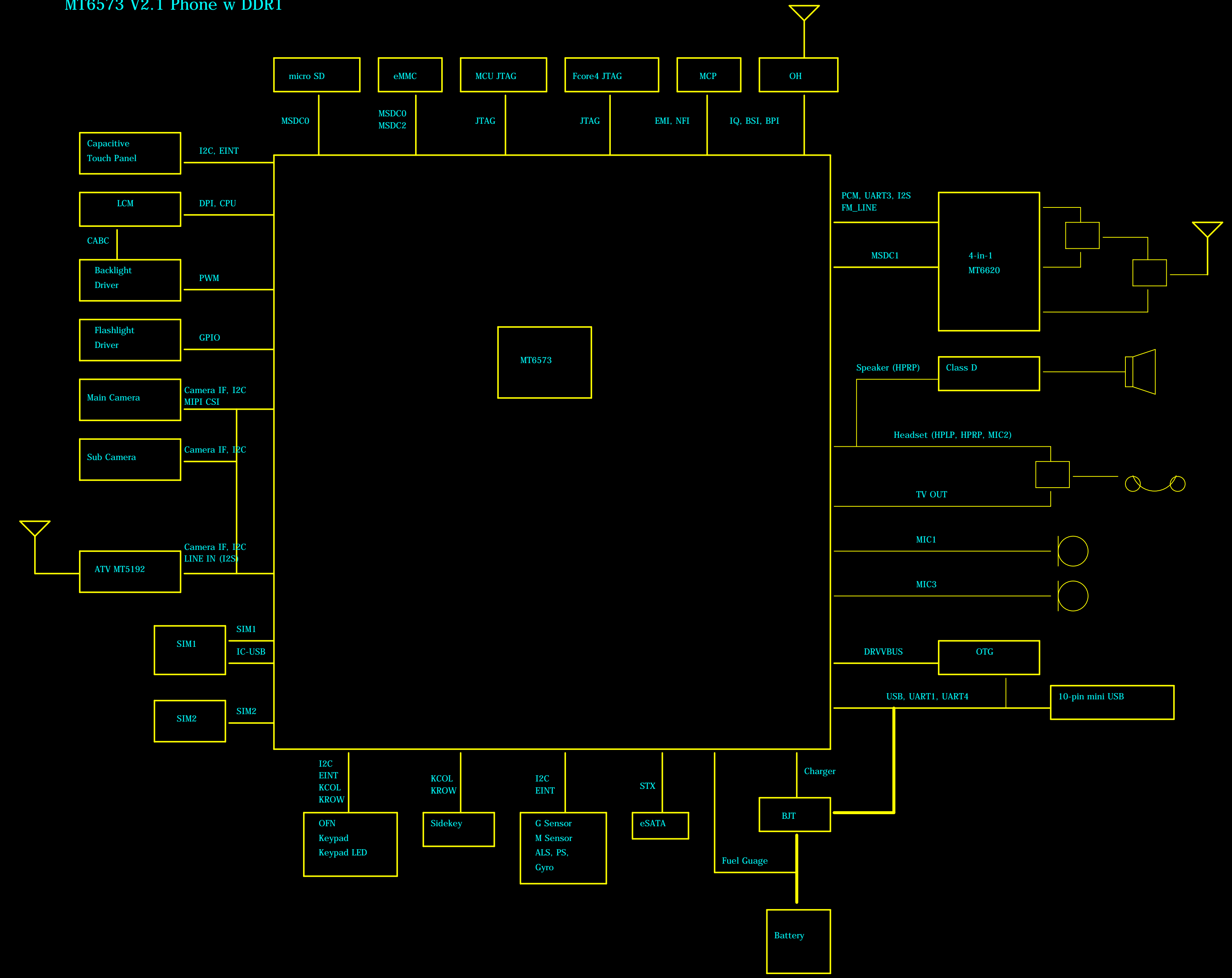


REVISION RECORD			
LTR	ECO NO.	APPROVED:	DATE:

MT6573 V2.1 Phone w DDR1



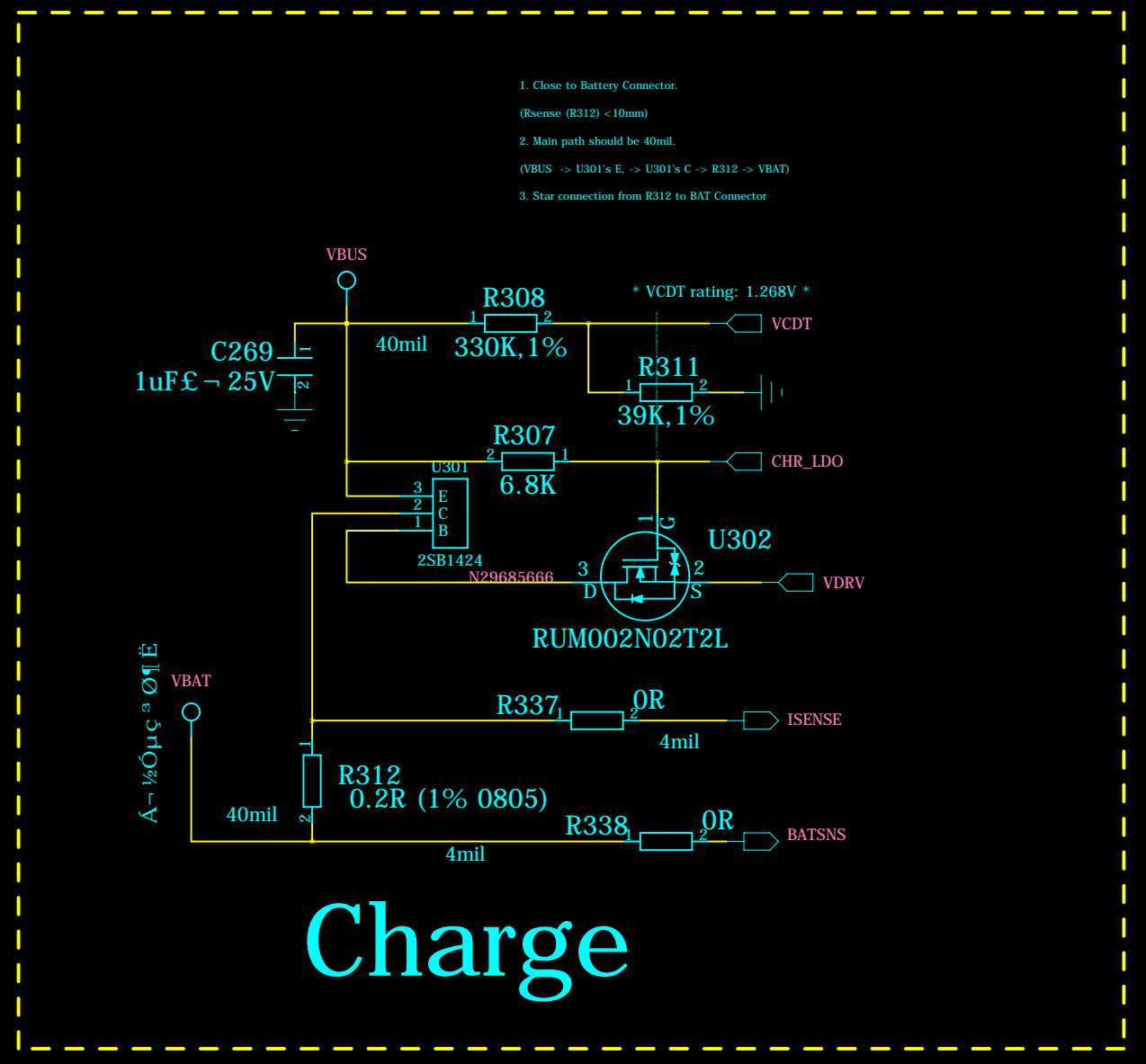
COMPANY: LENOVOMOBILE			
TITLE: Avatar32wg_MB_H302			
DRAWN: <Drawn By>	DATED: 2011-07-04	CODE: <Code>	SIZE: D
CHECKED: <Checked By>	DATED: <Checked Date>	DRAWING NO: 01_BLOCK_DIAGRAMV4.1	
QUALITY CONTROL: <QC By>	DATED: <QC Date>	REV: 	
RELEASED: <Released By>	DATED: <Release Date>	SCALE: <Scale>	
SHEET: 1 of 14			

REVISION RECORD			
LTR	ECO NO.	APPROVED:	DATE:

	Symbol	Vout (V)	Iout (mA)	Setting	
Buck	VPA	0.9 - 3.4 with 0.1 step	600		
	VPROC	0.85 - 1.35	600		
	VRF18	1.8	250		
	VCORE	1.2	600		
	VIO1V8	1.8	600		
RF LDO	VRF	2.85	200		
	VICXO	2.8	10		
Analog LDO	VCAMA	1.5/1.8/2.5/2.8	250		
	VCAMA2	1.5/1.8/2.5/2.8	100		
	VM12	1.2	200		
	VM12_INT1	1.2 - 1.35	40		
Digital LDO	VIO2P8	2.8	100		
	VSM1	1.8/3.0	100		
	VUSB	3.3	100		
	VCAMD	1.3/1.5/1.8/2.5/2.8/3.0/3.3	100		
	VCAMD2	1.3/1.5/1.8/2.5/2.8/3.0/3.3	100		
	VSM2	1.3/1.5/1.8/2.5/2.8/3.0/3.3	100		
	VMC	1.3/1.5/1.8/2.5/2.8/3.0/3.3	200		
	VVBR	1.3/1.5/1.8/2.5/2.8/3.0/3.3	200		
	RTC	VRTC	2.8	1	



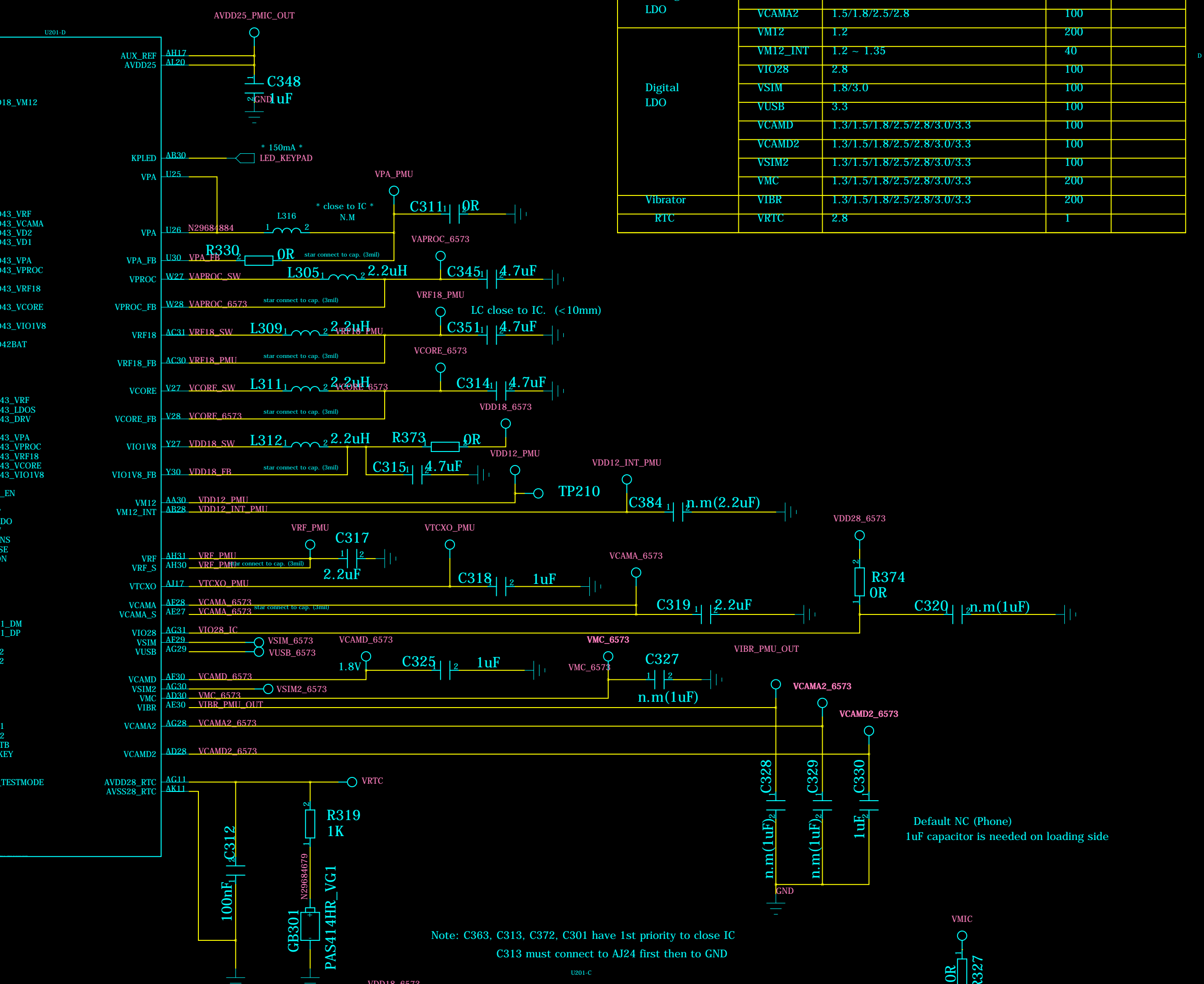
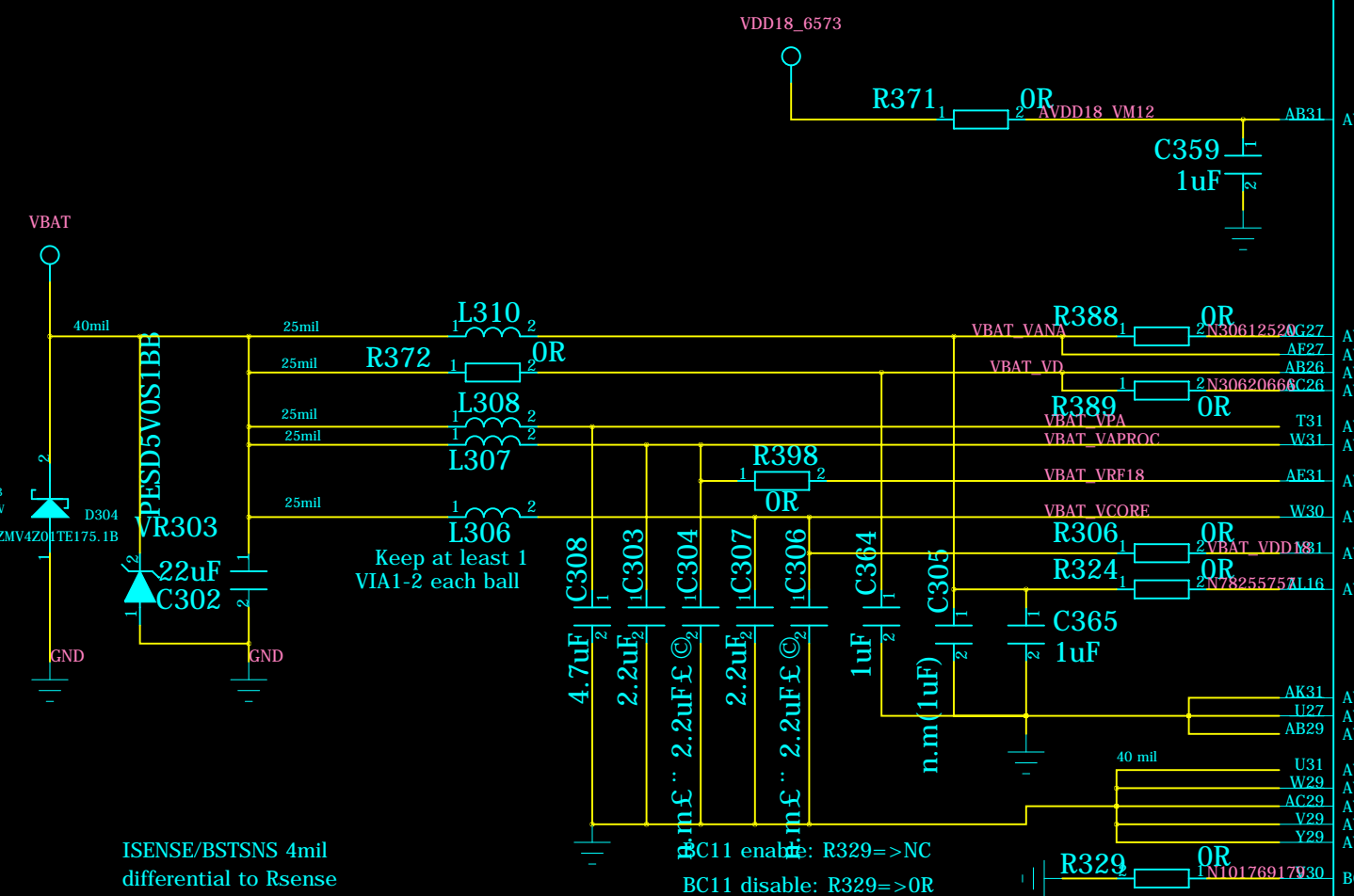
MT6573 PMU



Charge

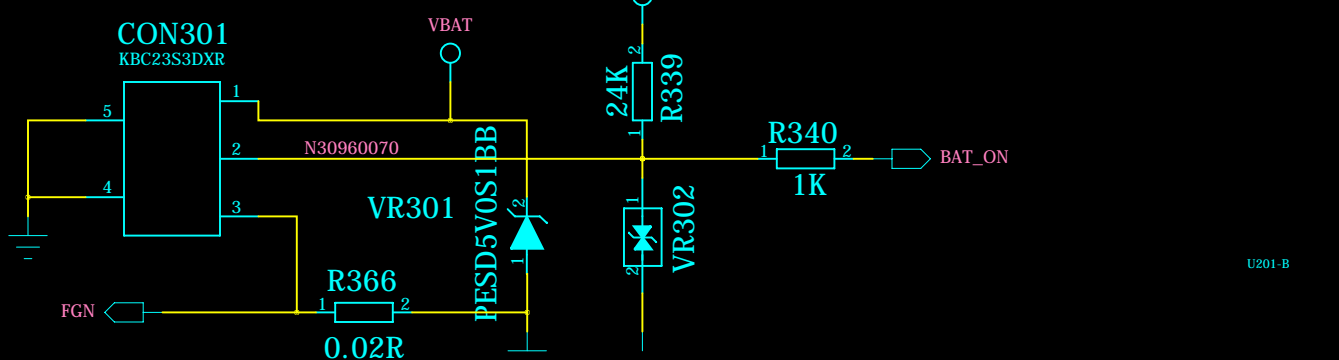
Add Zener Diode
Place on the path from VBAT to IC
(Battery connector or test point or IO connector)

Between IC and IO port

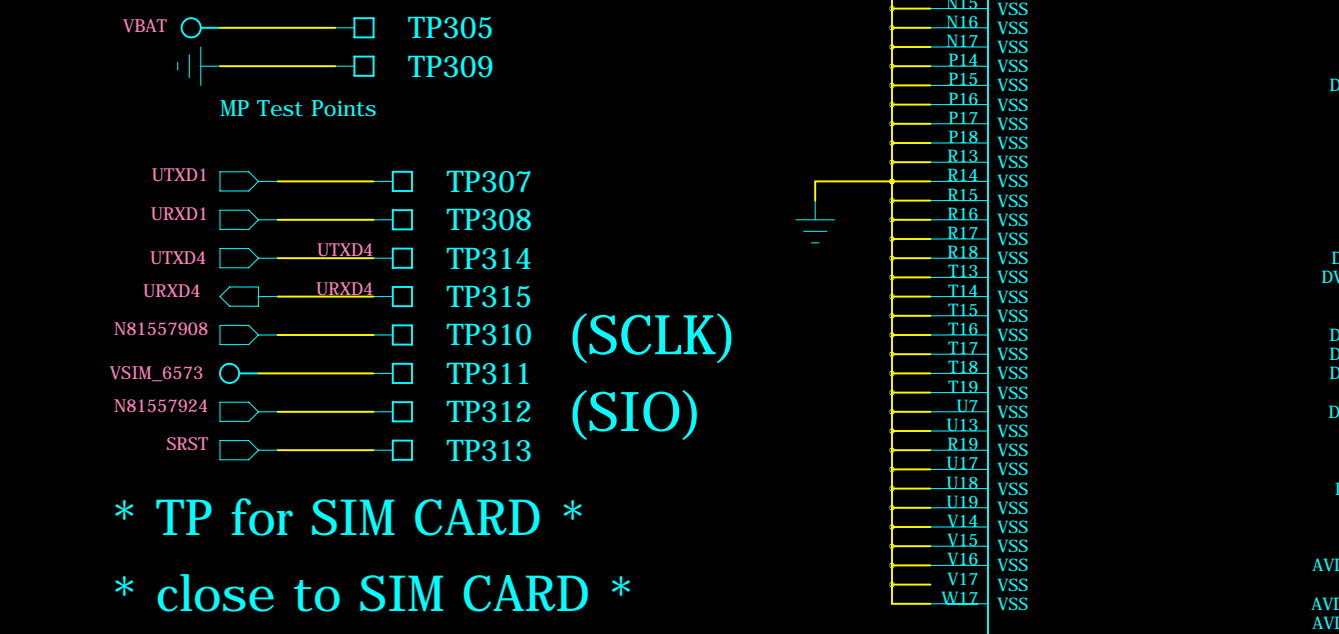


Note: C363, C313, C372, C301 have 1st priority to close IC
C313 must connect to A24 first then to GND

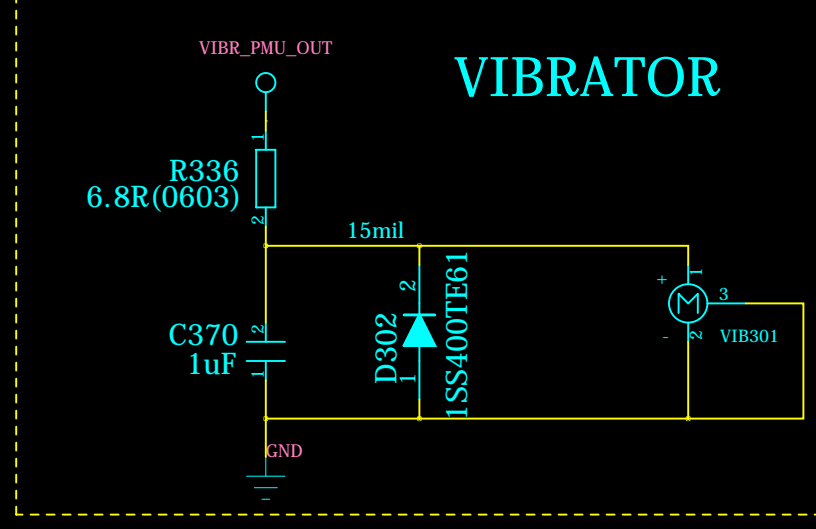
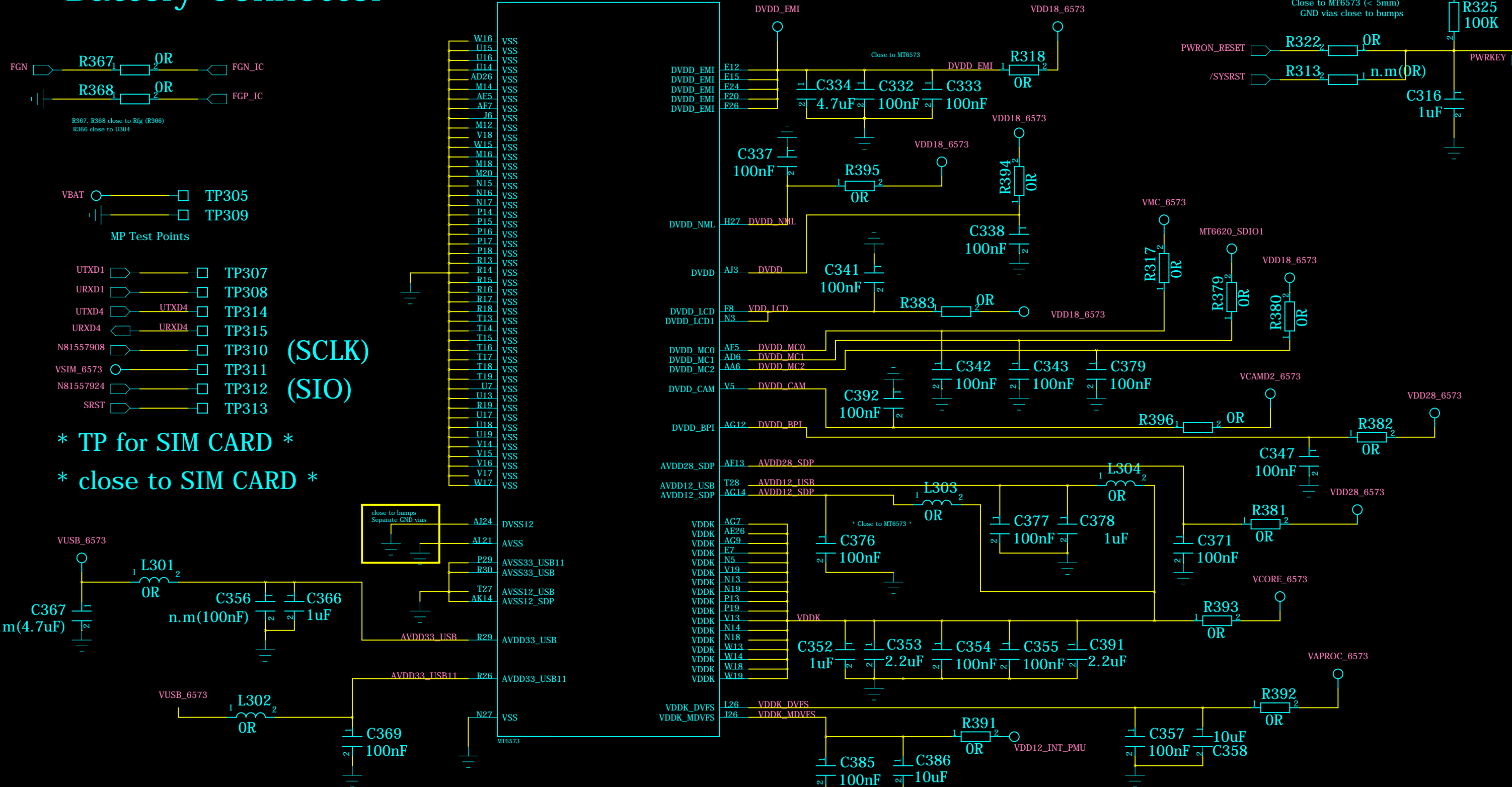
Default NC (Phone)
1uF capacitor is needed on loading side



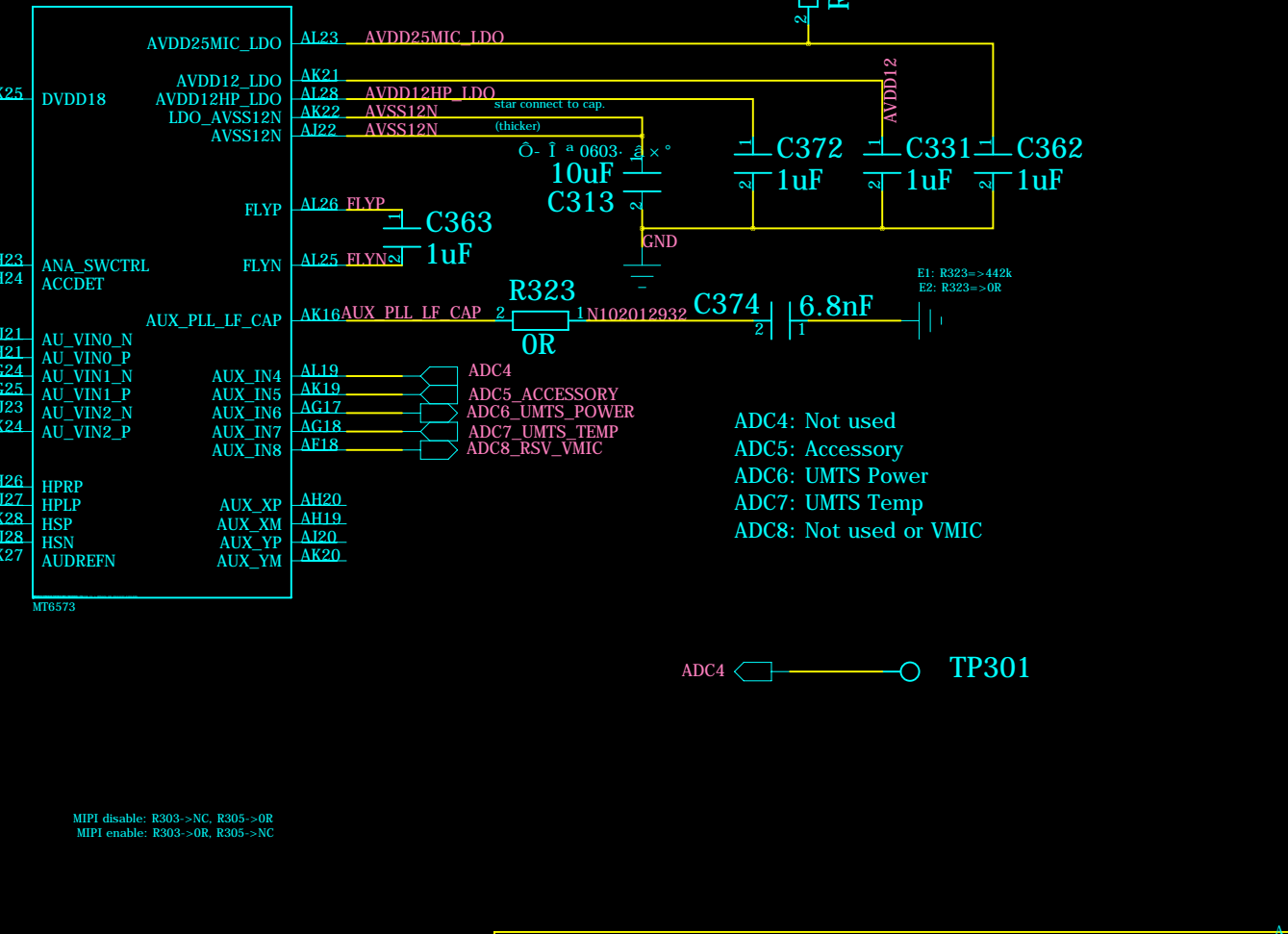
Battery Connector



* TP for SIM CARD *
* close to SIM CARD *

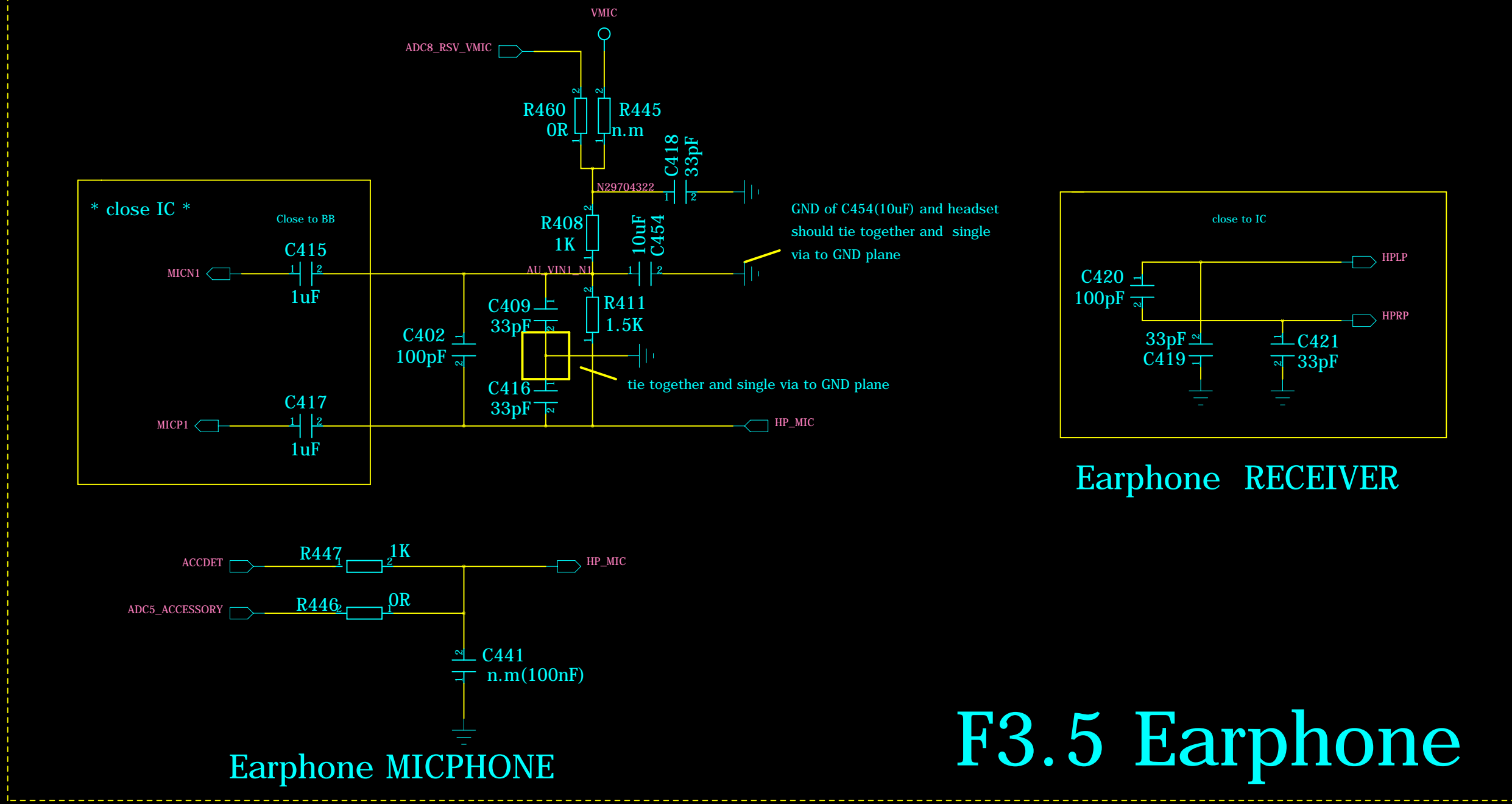
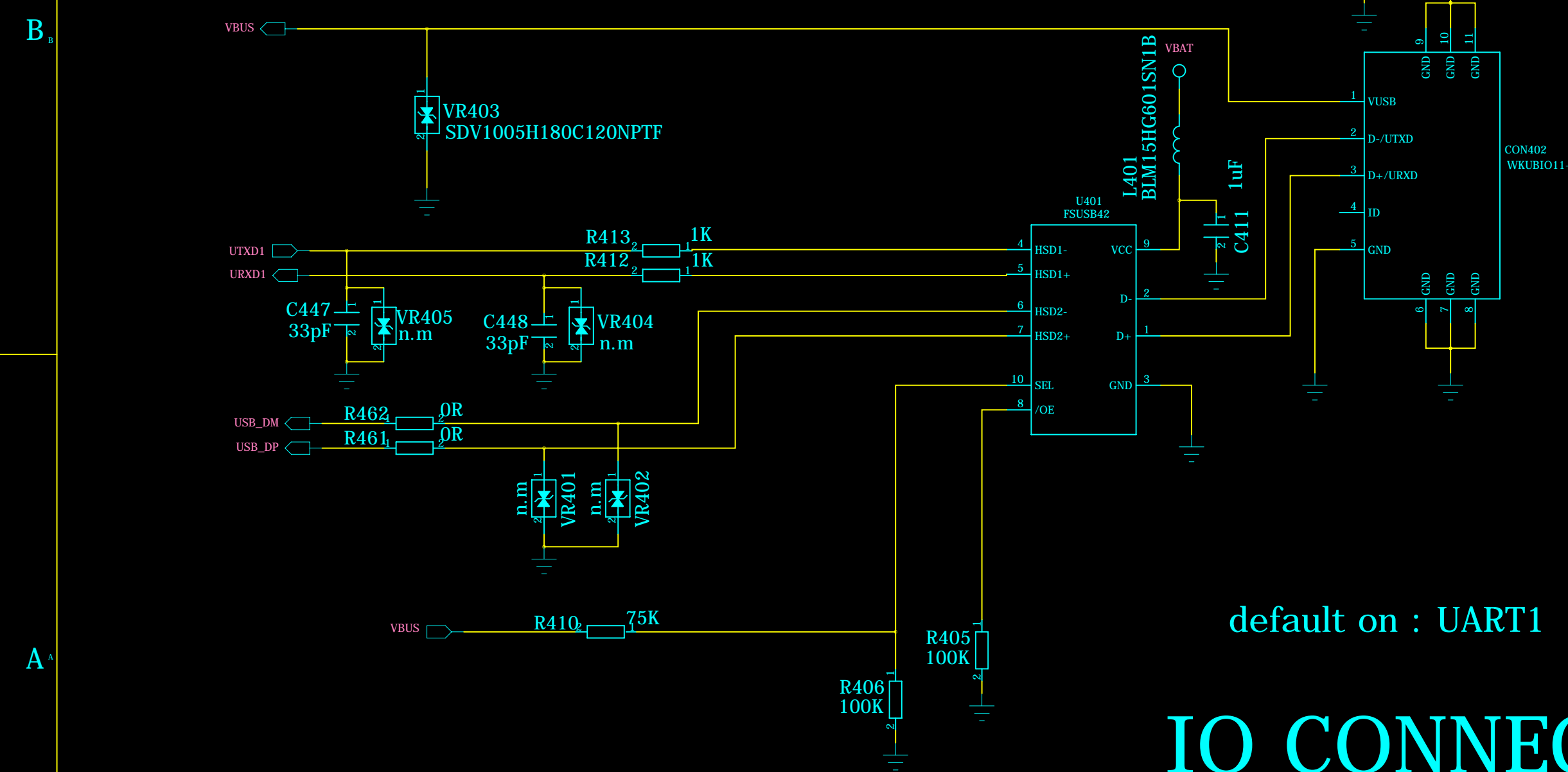
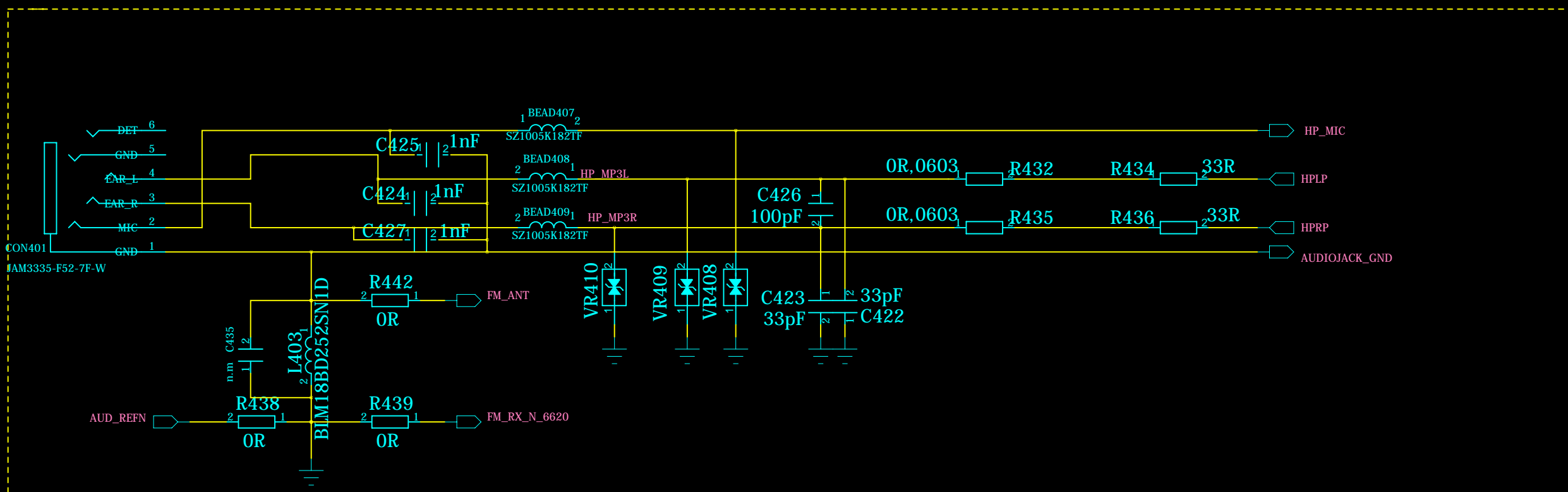
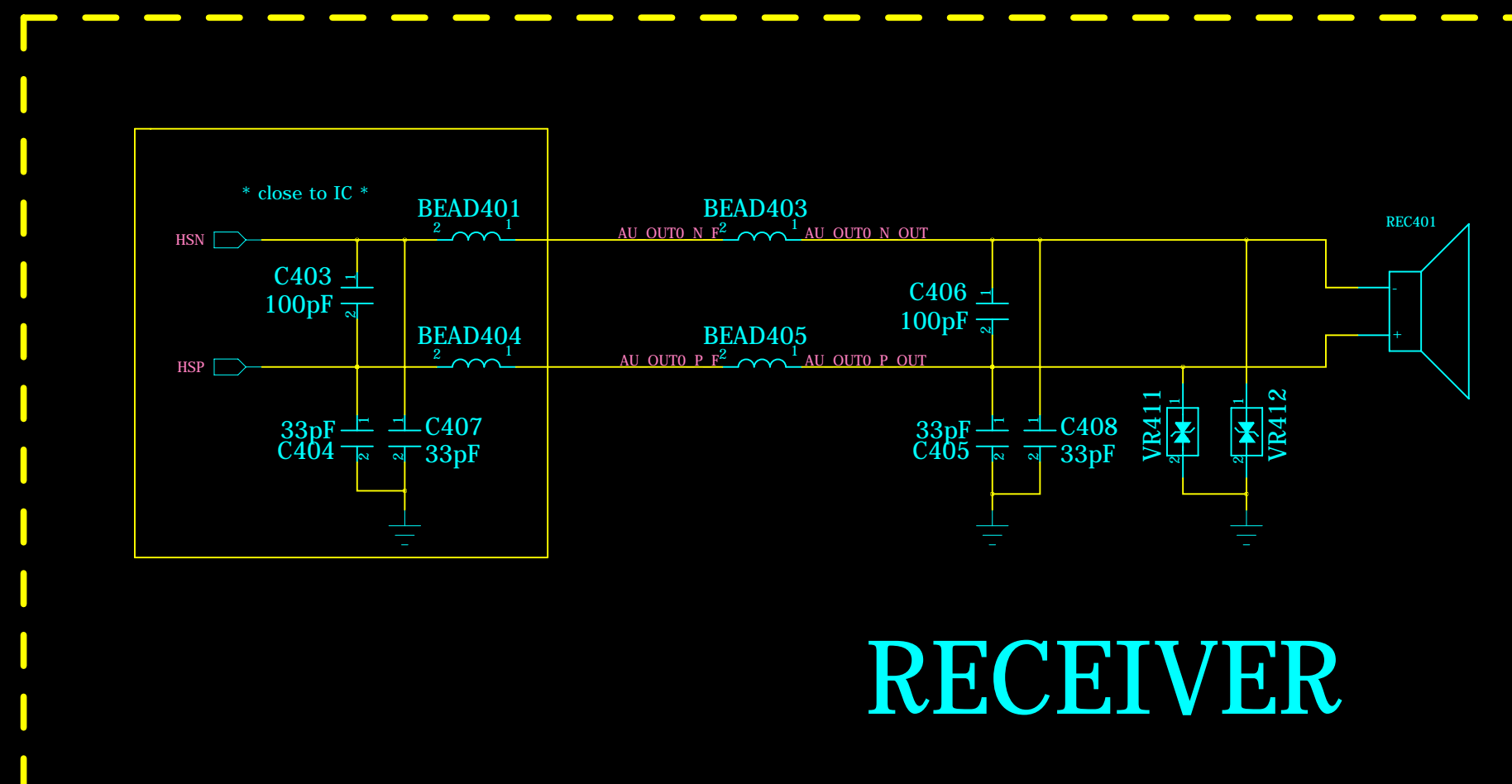
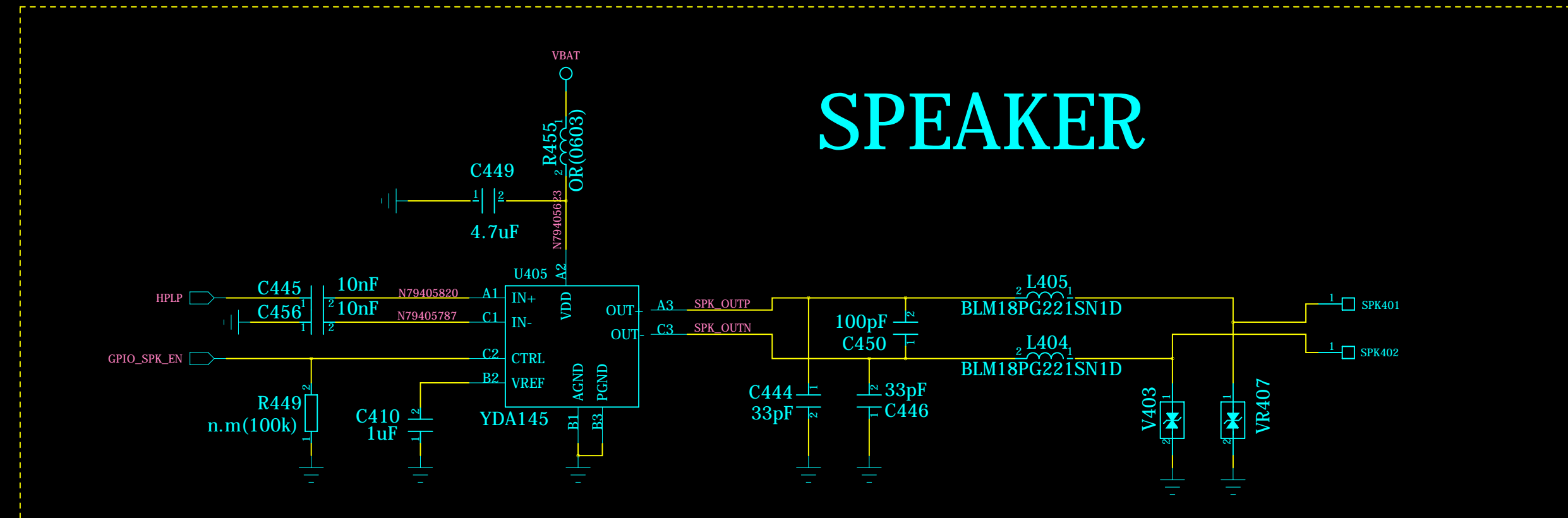
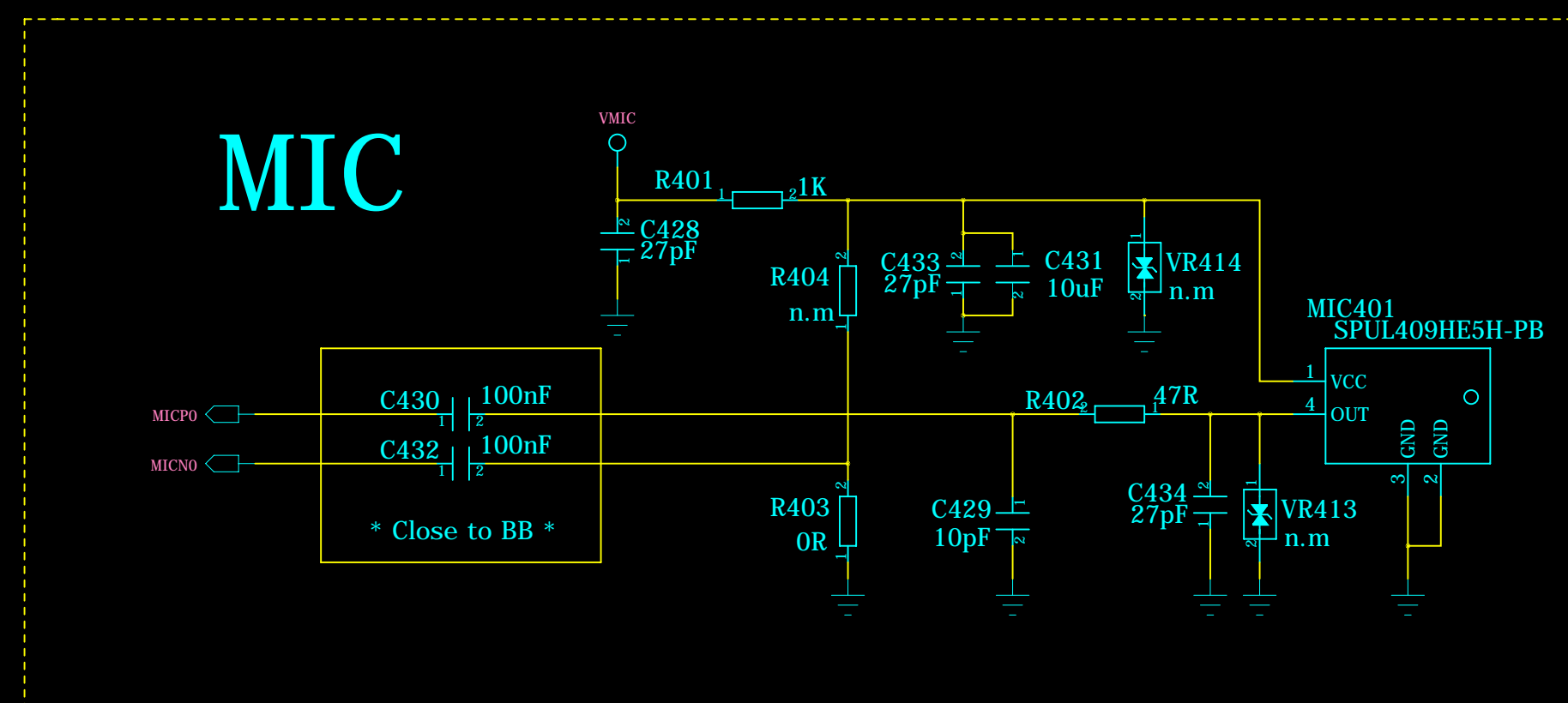


VIBRATOR



COMPANY:		LENOVOMOBILE	
TITLE:		Avatar32wg_MB_H302	
DRAWN:	< Drawn By >	DATE:	2011-07-04
CHECKED:	< Checked By >	DATE:	< Checked Date >
QUALITY CONTROL:	< QC By >	DATE:	< QC Date >
RELEASED:	< Released By >	DATE:	< Release Date >
CODE:	D	SIZE:	03_MT6573 - POWER_AND_ABB
DRAWING NO:	V4.1	REV:	V4.1
SHEET:	30F	14	

REVISION RECORD			
Q/R	ECO NO.	APPROVED	DATE



F3.5 Earphone

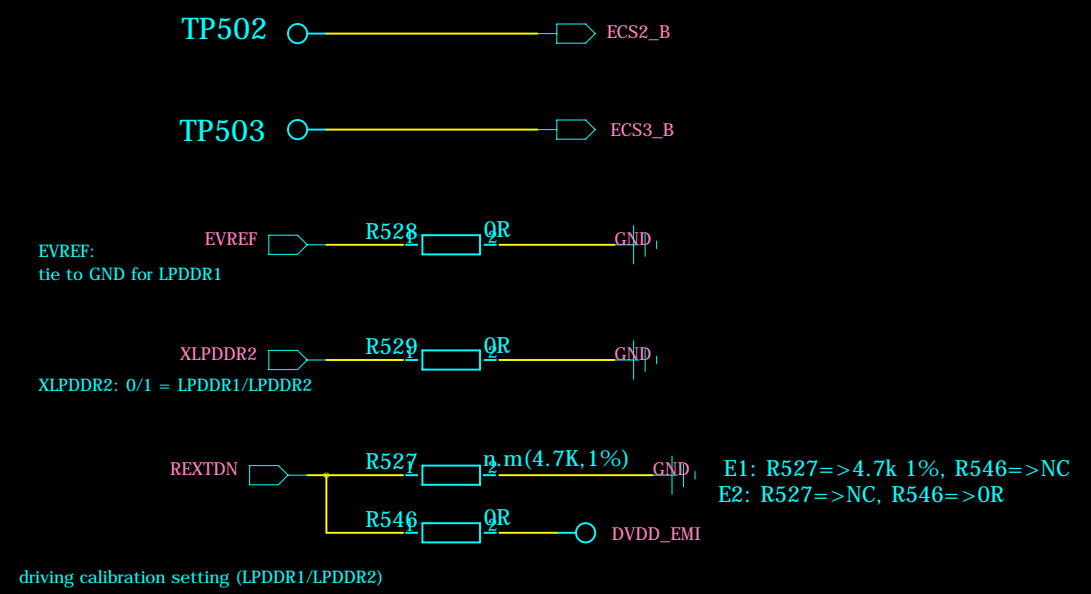
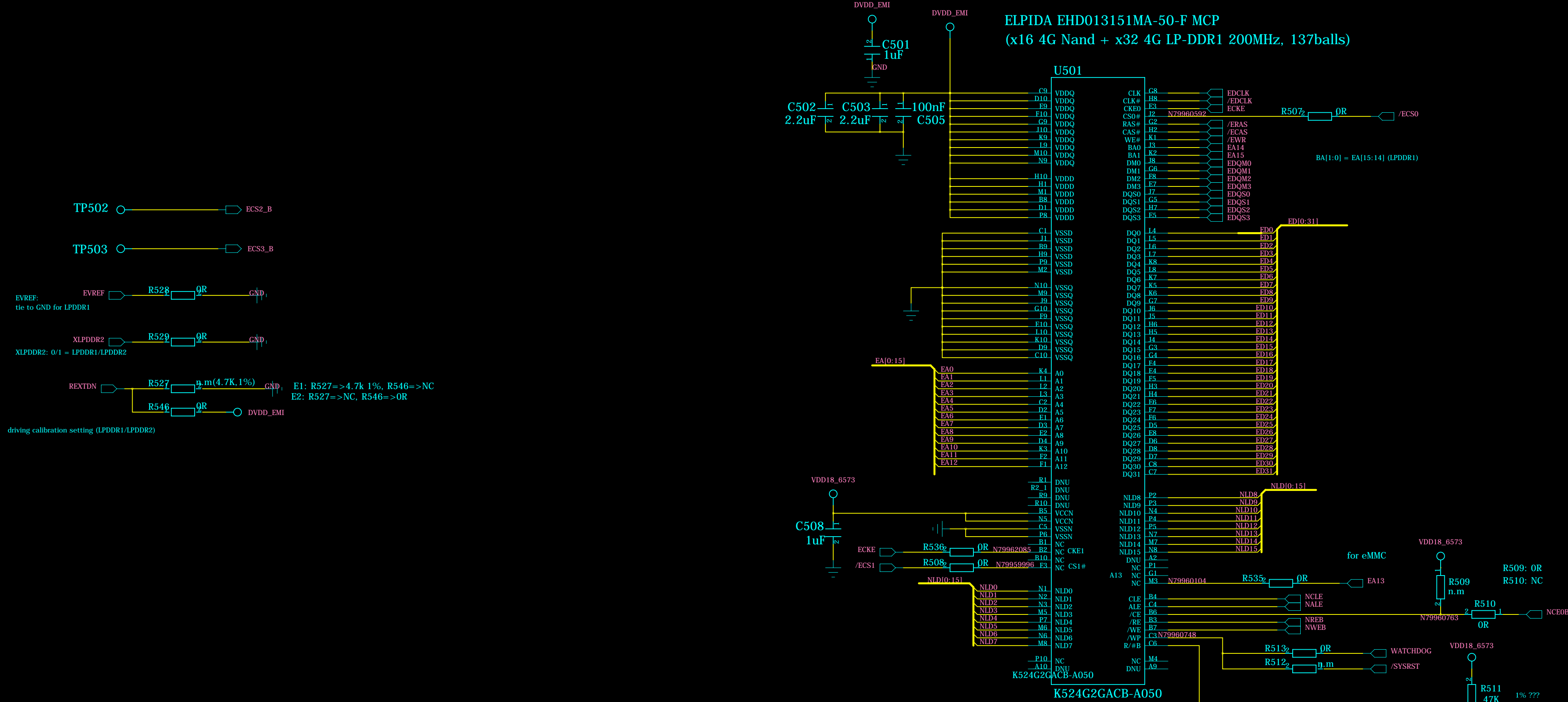


COMPANY: LENOVOMOBILE			
TITLE: Avatar32wg_MB_H302			
DRAWN: <Drawn By>	DATED: 2011-07-04	CODE: <Code>	SIZE: D
CHECKED: <Checked By>	DATED: <Checked Date>	DRAWING NO: 04_AUDIO_I/O_USB V4.1	REV: 1
QUALITY CONTROL: <QC By>	DATED: <QC Date>	SCALE: <Scale>	SHEET: 40F 14
RELEASED: <Released By>	DATED: <Release Date>		



tamiraat.com منبع مقاله

REVISION RECORD			
LTR	ECO NO.	APPROVED:	DATE:



COMPANY: LENOVOMOBILE			
TITLE: Avatar32wg_MB_H302			
DRAWN: <Drawn By>	DATED: 2011-07-04	CODE:	SIZE:
CHECKED: <Checked Date>	DATED: <Checked Date>	DRAWING NO:	
QUALITY CONTROL: <QC By>	DATED: <QC Date>	REV:	
RELEASED: <Release Date>	DATED: <Release Date>	SCALE: <Scale>	
SHEET: 50F		14	

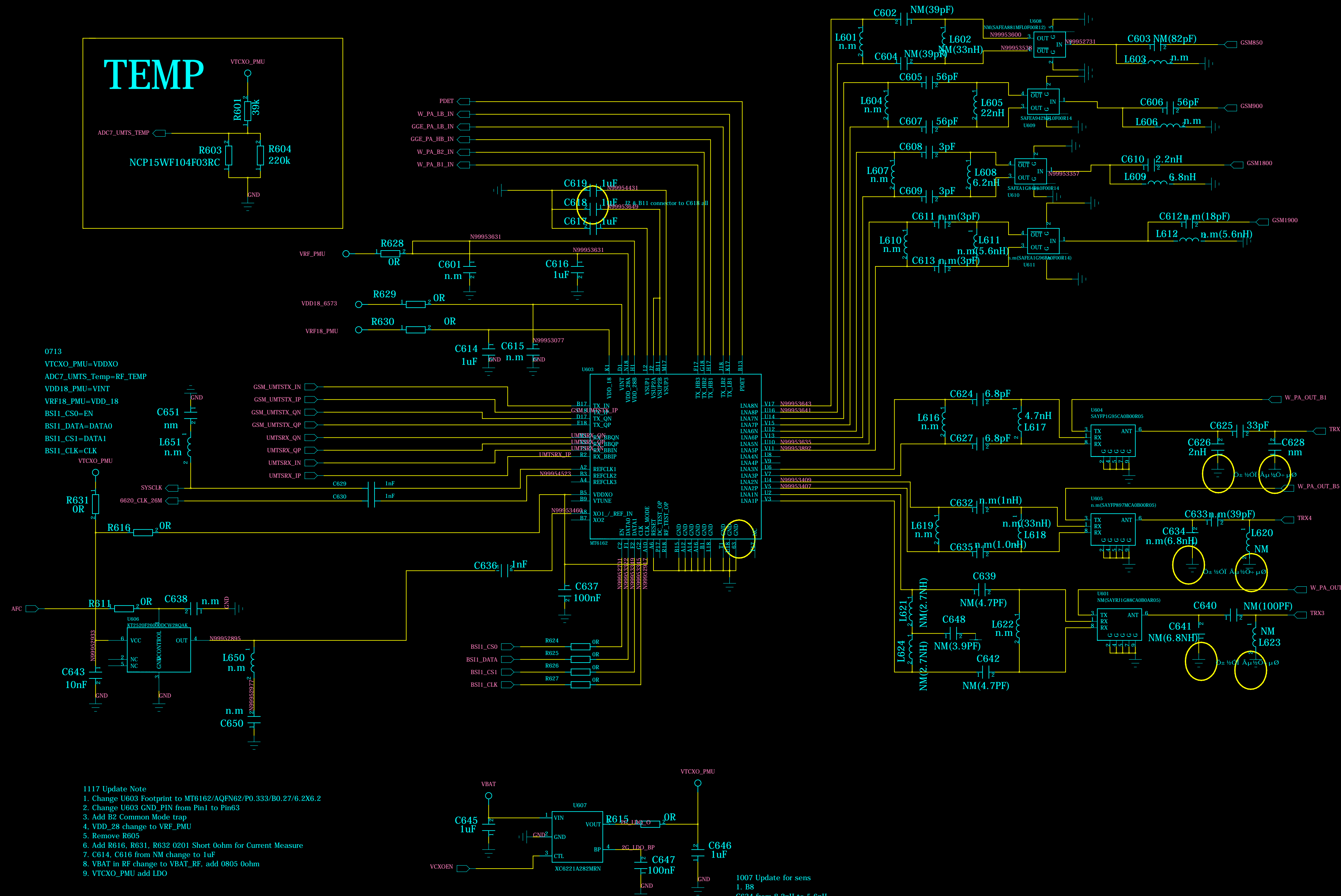
QUALITY CONTROL: **<Code>05DMEMORY_(X32LPDDR_EMMC)**



tamiraat.com منبع مقاله

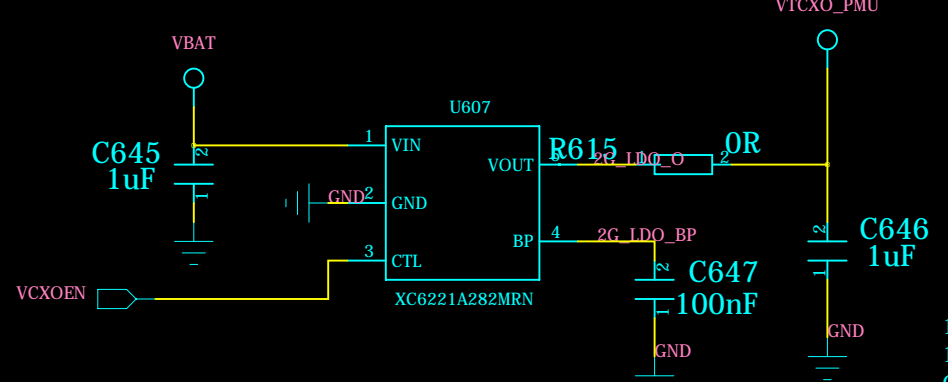
REVISION RECORD			
LTR	ECO NO.	APPROVED:	DATE:

RF_MT6162_RX



0713
 VTCXO_PMU=VDDXO
 ADC7_UMTS_Temp=RF_TEMP
 VDD18_PMU=VINT
 VREF18_PMU=VDD_18
 BS11_CS0=EN
 BS11_DATA=DATA0
 BS11_CS1=DATA1
 BS11_CLK=CLK
 VTCXO_PMU

- 1117 Update Note
1. Change U803 Footprint to MT6162/AQFN82/P0.333/B0.27/6.2X6.2
 2. Change U803 GND_PIN from Pin1 to Pin63
 3. Add B2 Common Mode trap
 4. VDD_28 change to VREF_PMU
 5. Remove R605
 6. Add R610, R631, R632 0201 Short 0ohm for Current Measure
 7. C614, C616 from NM change to 1uF
 8. VBAT in RF change to VBAT_RF, add 0805 0ohm
 9. VTCXO_PMU add LDO



- 1007 Update for sens
1. B8
 2. C634 from 8.2nH to 5.6nH
 3. B2 use B7955, C639, C642 from 8.2pF to 6.8pF, L621 from 5.6nH to 6.8nH, C641 from 3.6nH to 15nH
 4. DCS
 5. C624 and C627 from 8.2pF to 6.8pF, C625 from 1.2nH to 1.1nH
 6. DCS
 7. C608, C609 from 39pF to 3pF

7/7 Add matching components and Use RFWS matching circuit

D

C

B

A

D

C

B

A

COMPANY: LENOVOMOBILE			
TITLE: Avatar32wg_MB_H302			
DRAWN: YEXL	DATED: 2011-07-04	CODE: <Code>	SIZE: D
CHECKED: <QC By>	DATED: <QC Date>	DRAWING NO: 06_RF_MT6162_RX V4.1	REV: 1
RELEASED: <Released By>	DATED: <Release Date>	SCALE: <Scale>	SHEET: 60F 14

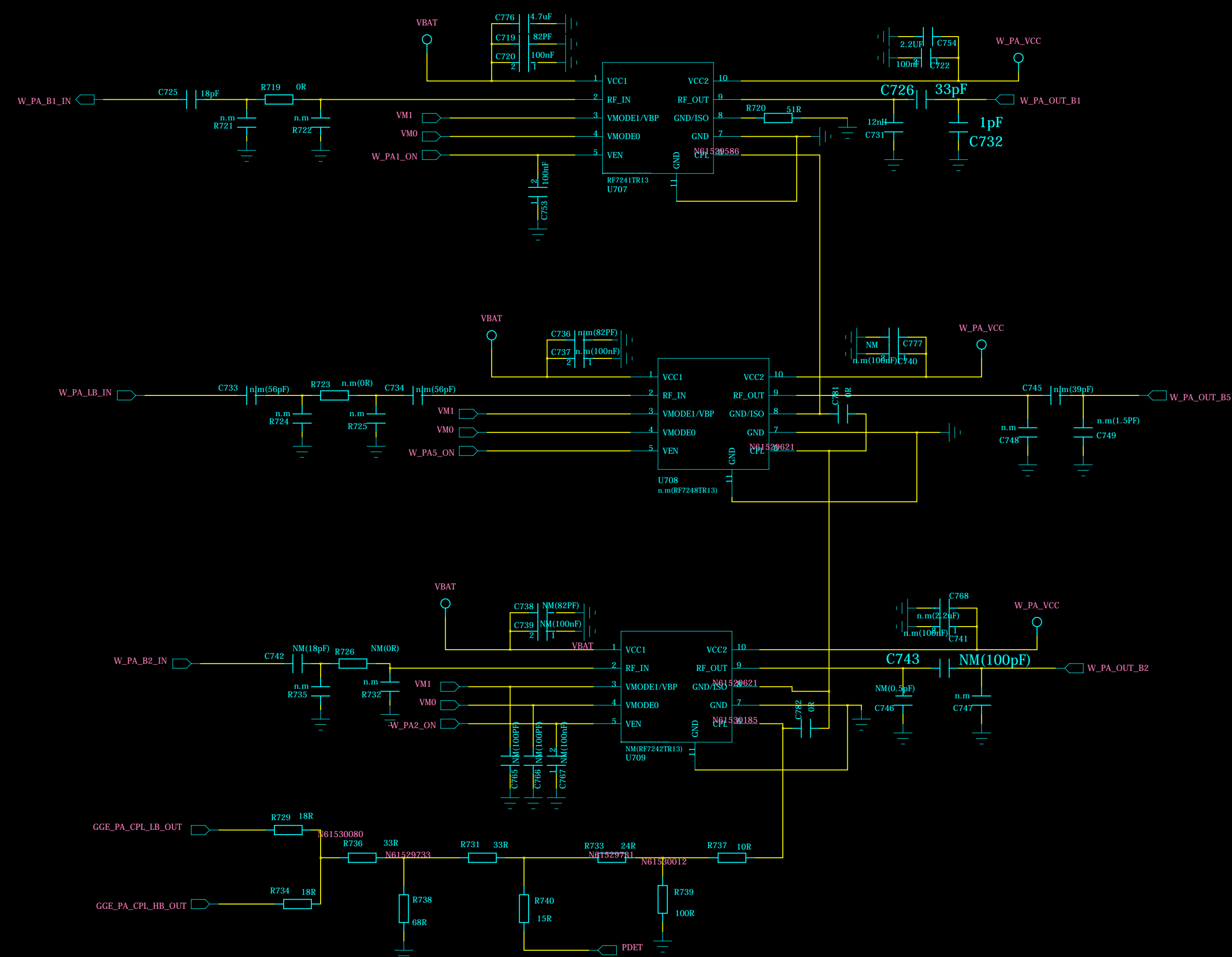
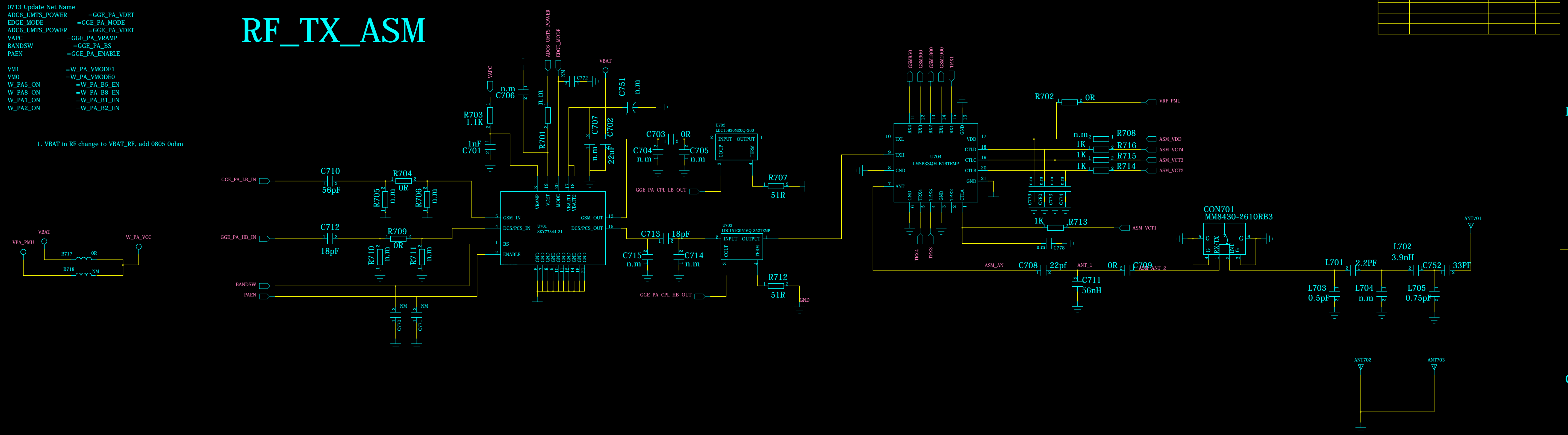
REVISION RECORD			
LTR	ECO NO.	APPROVED:	DATE:

0713 Update Net Name
 ADC6_UMTS_POWER =GGE_PA_VDET
 EDGE_MODE =GGE_PA_MODE
 ADC6_UMTS_POWER =GGE_PA_VDET
 VAPC =GGE_PA_VRAMP
 BANDSW =GGE_PA_BS
 PAEN =GGE_PA_ENABLE

VM1 =W_PA_VMODE1
 VM0 =W_PA_VMODE0
 W_PA5_ON =W_PA_B5_EN
 W_PA8_ON =W_PA_B8_EN
 W_PA1_ON =W_PA_B1_EN
 W_PA2_ON =W_PA_B2_EN

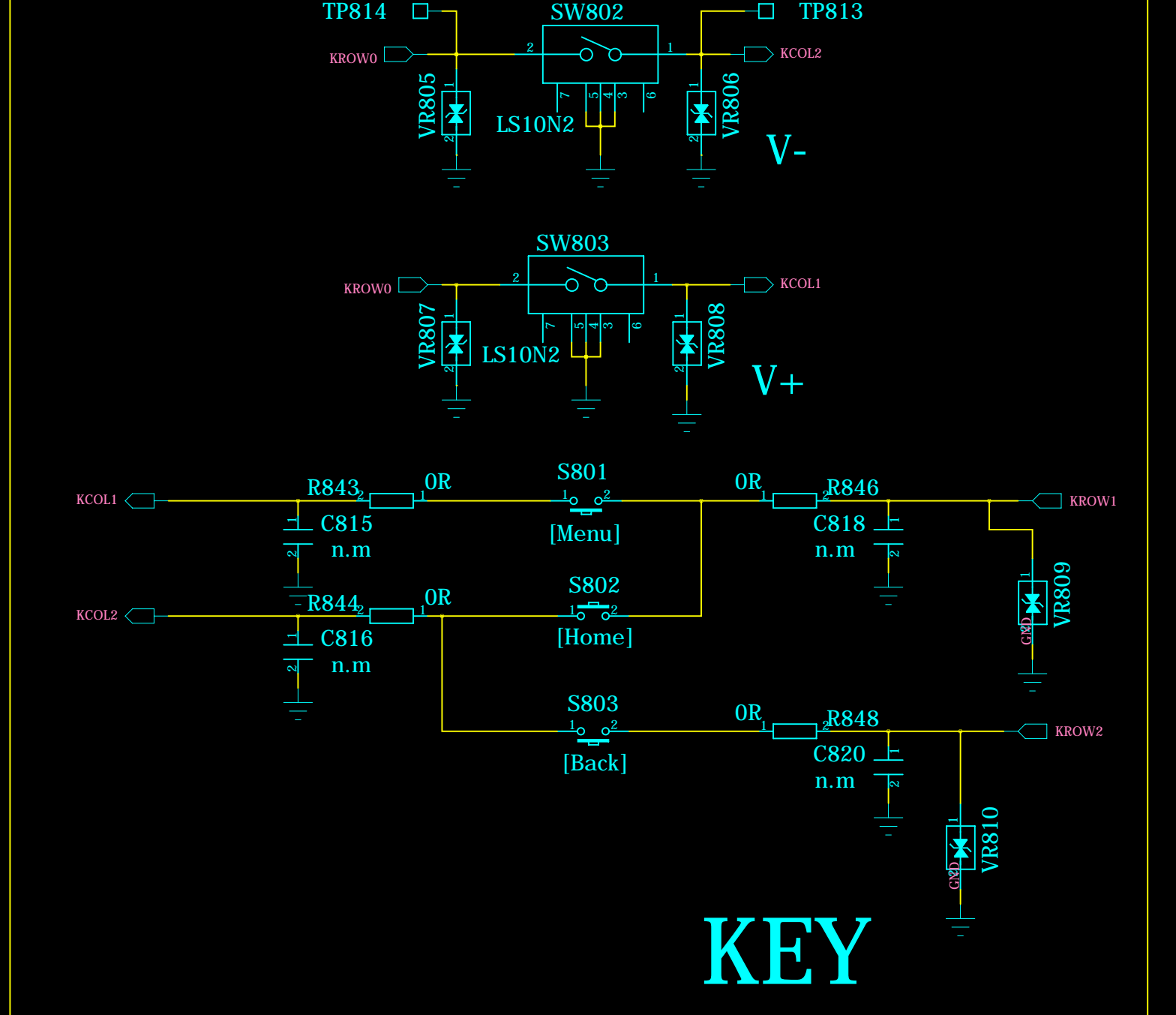
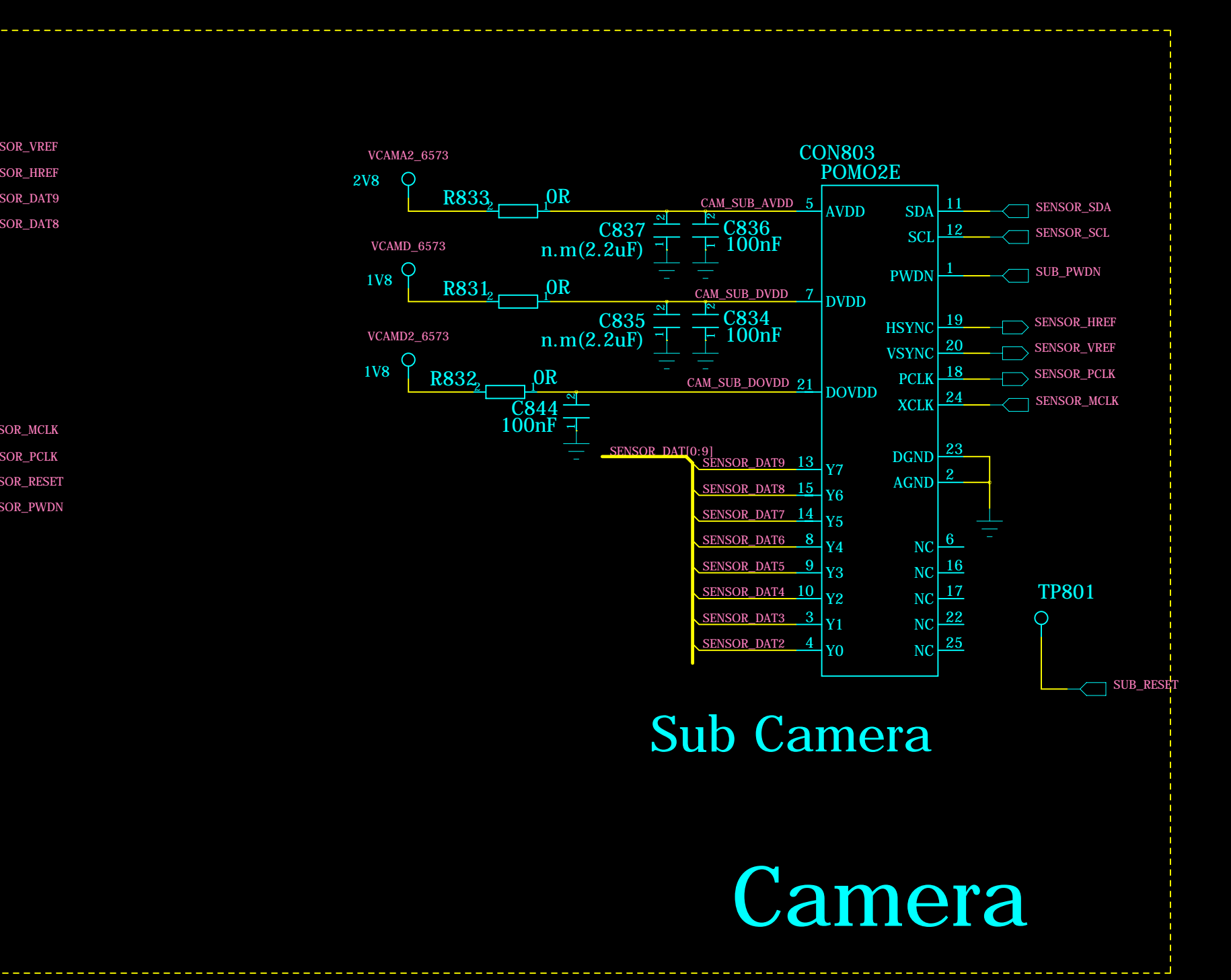
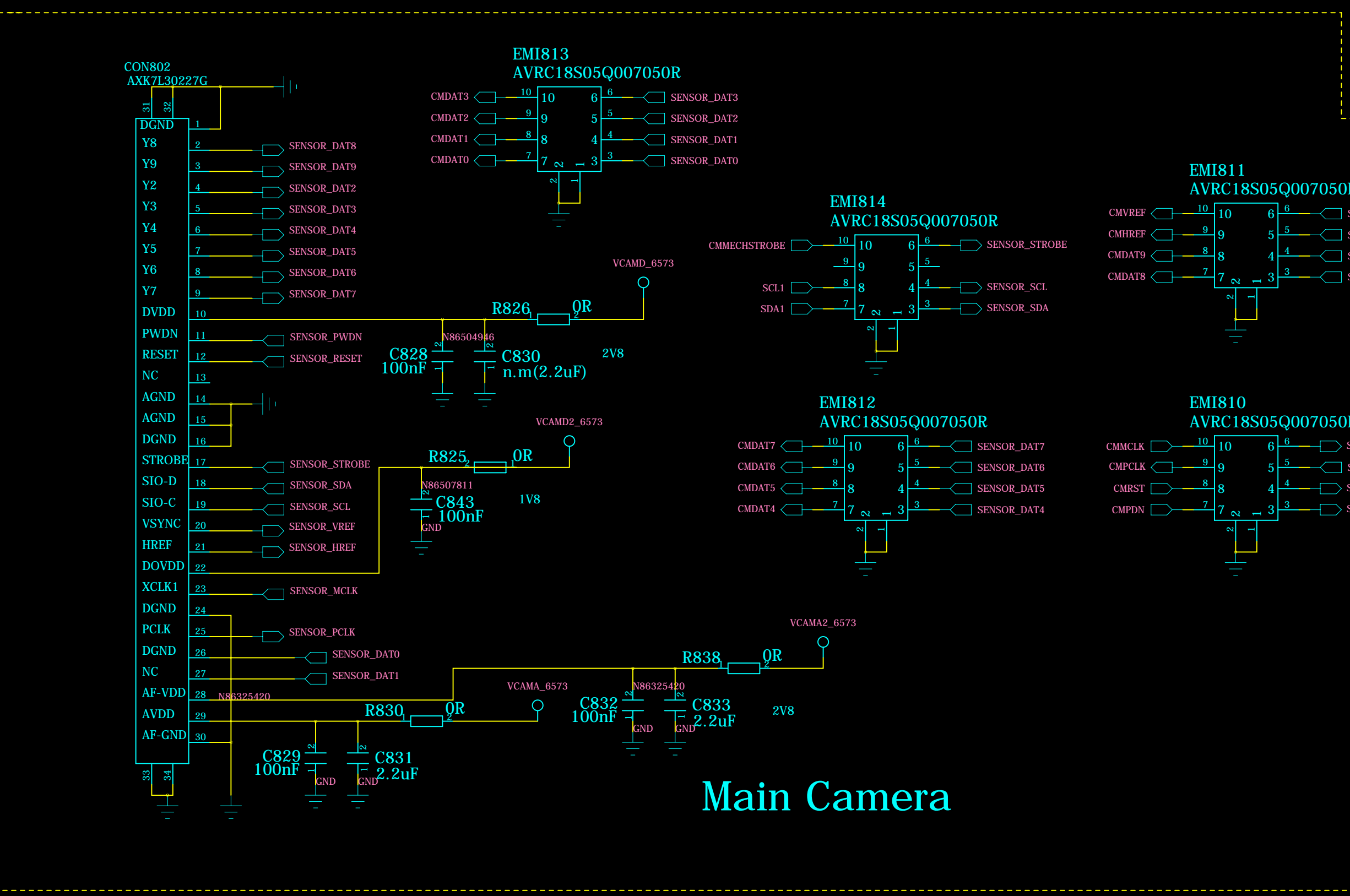
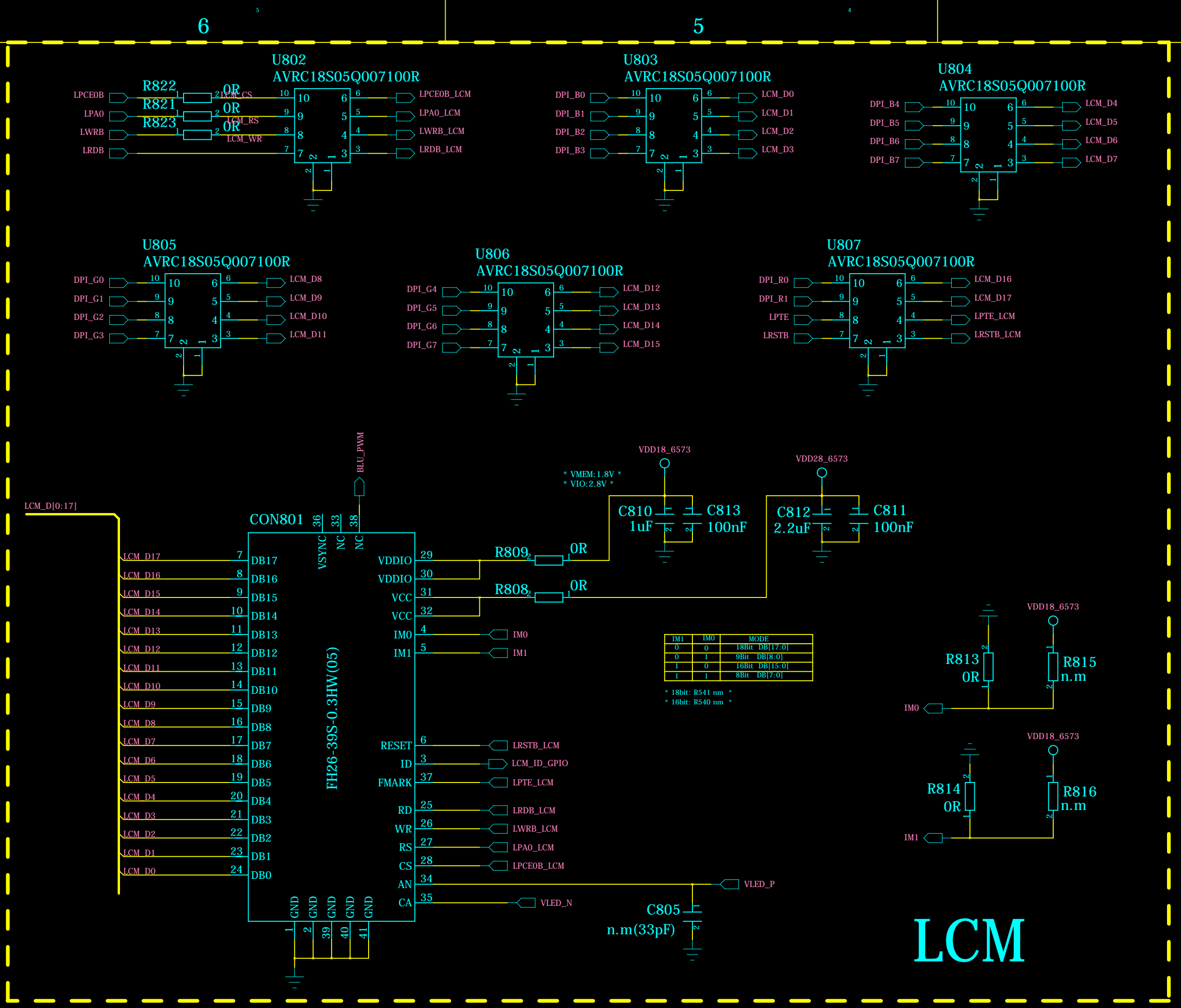
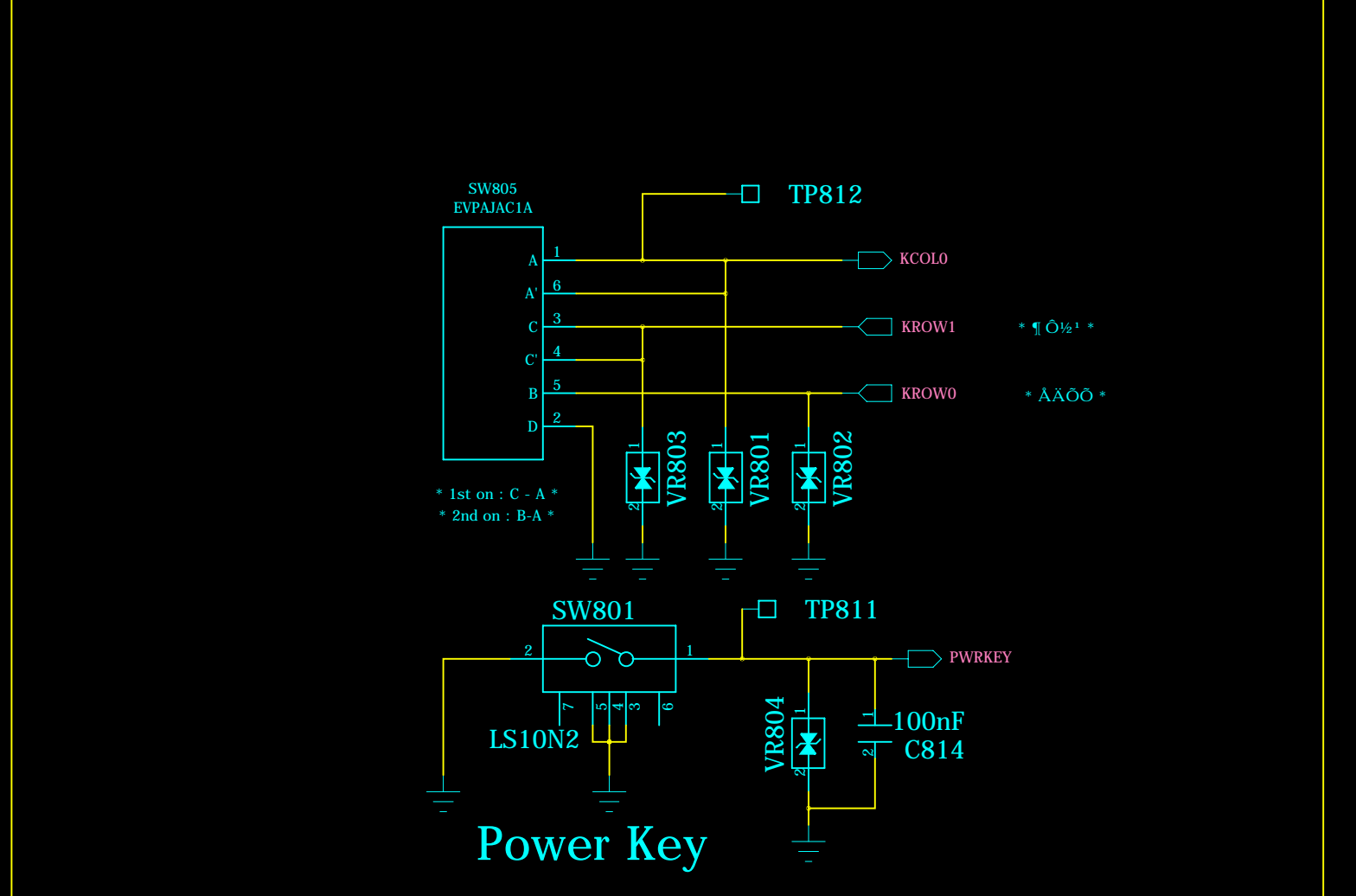
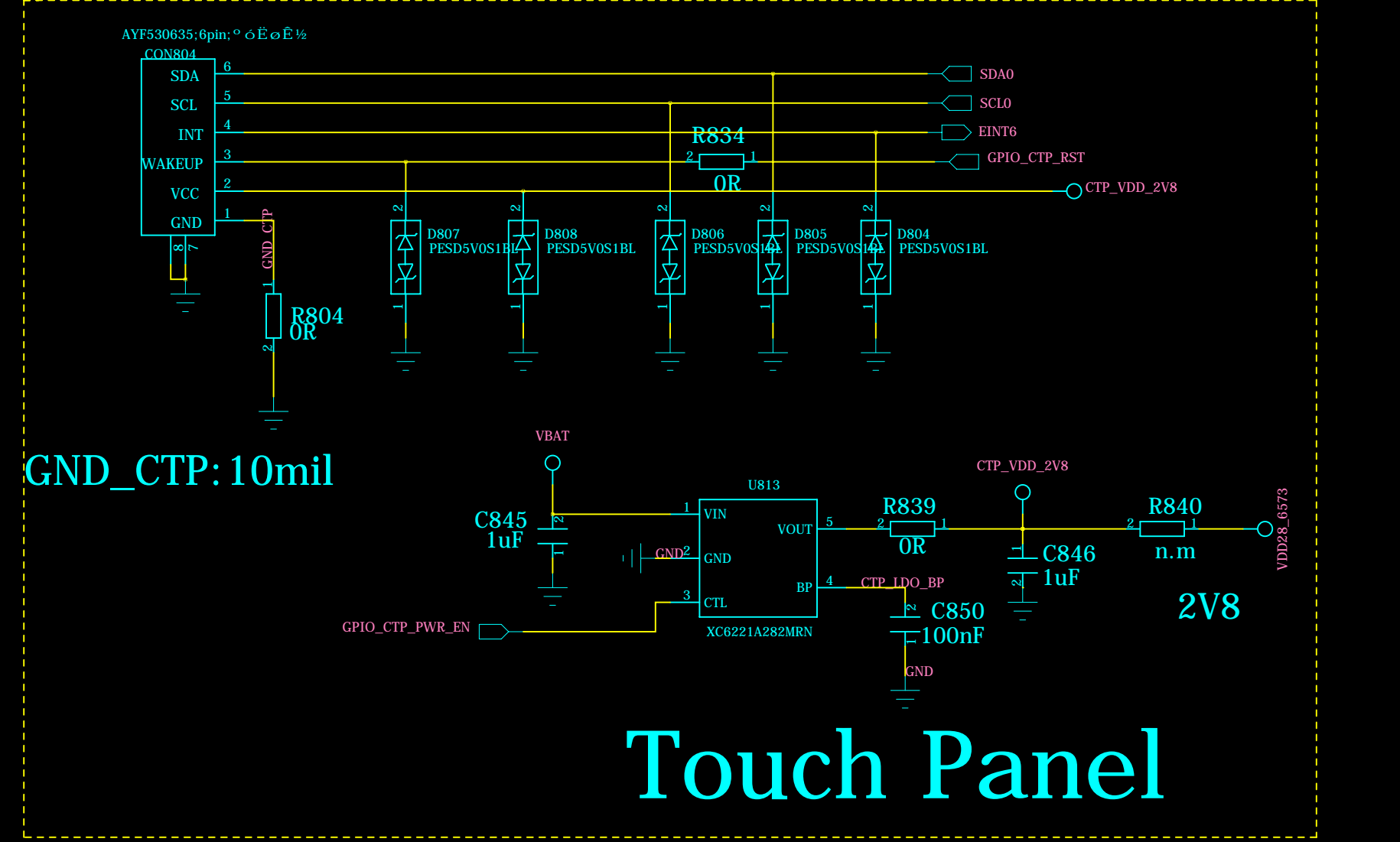
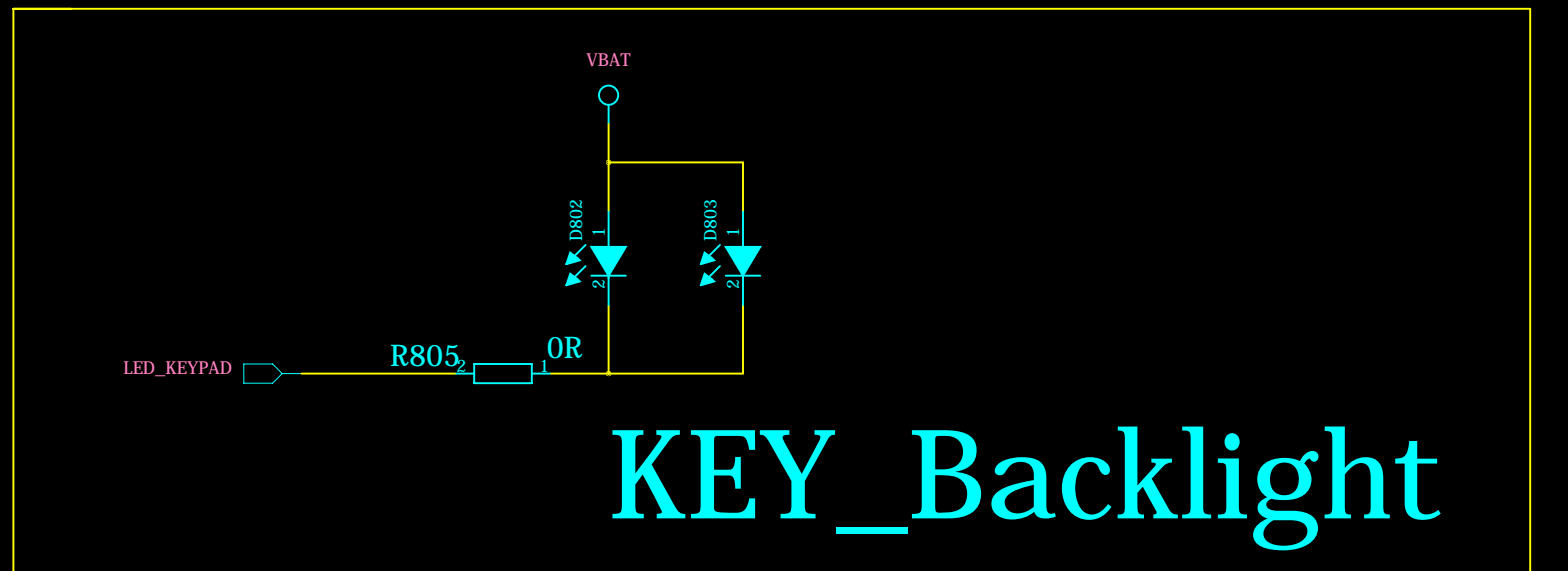
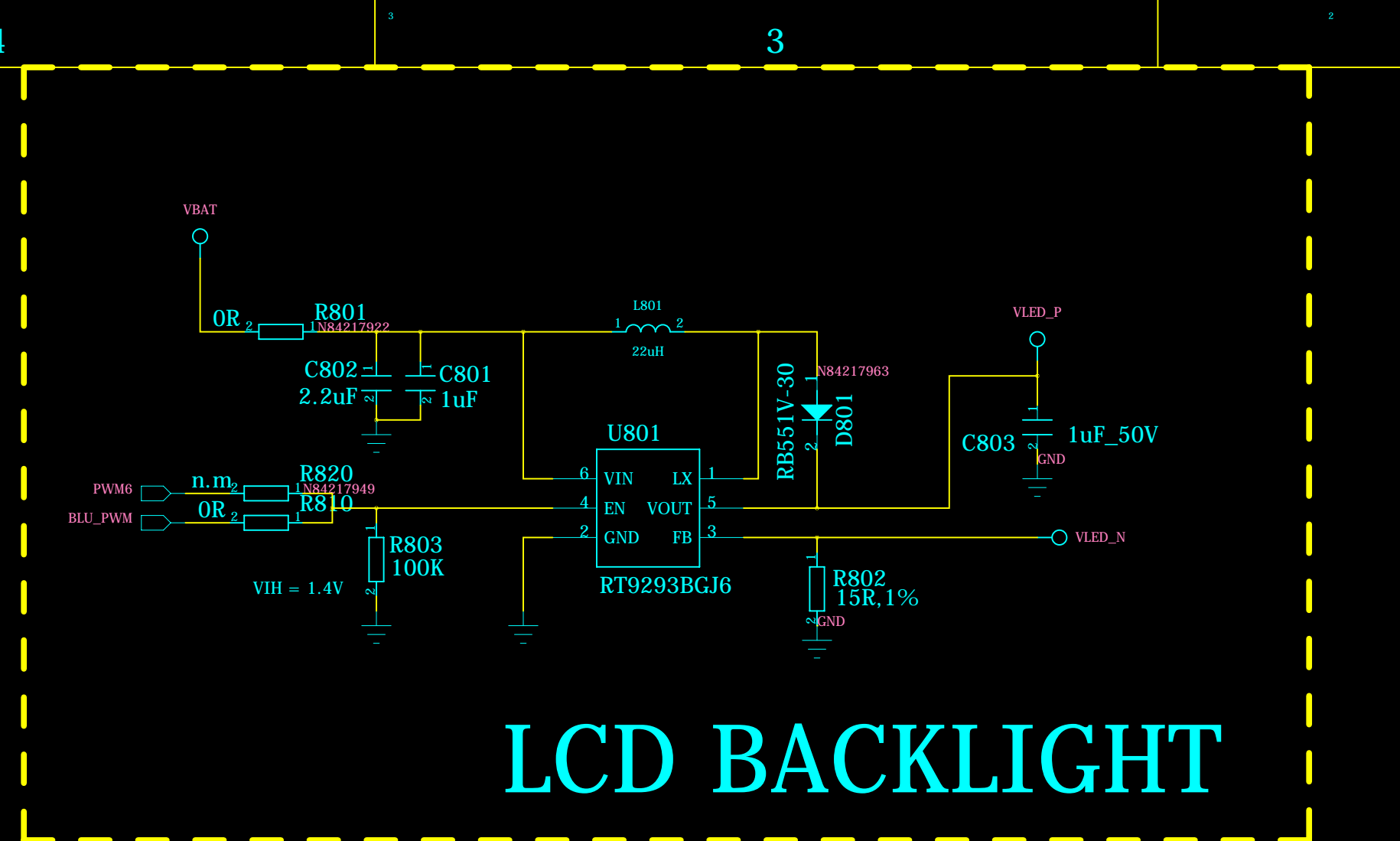
RF_TX_ASM

1. VBAT in RF change to VBAT_RF, add 0805 0ohm



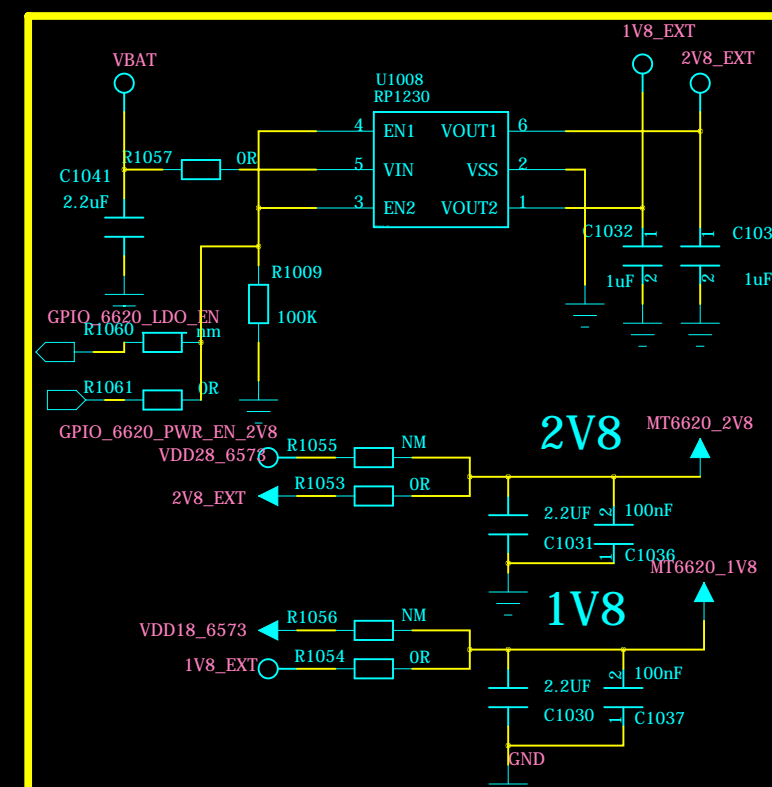
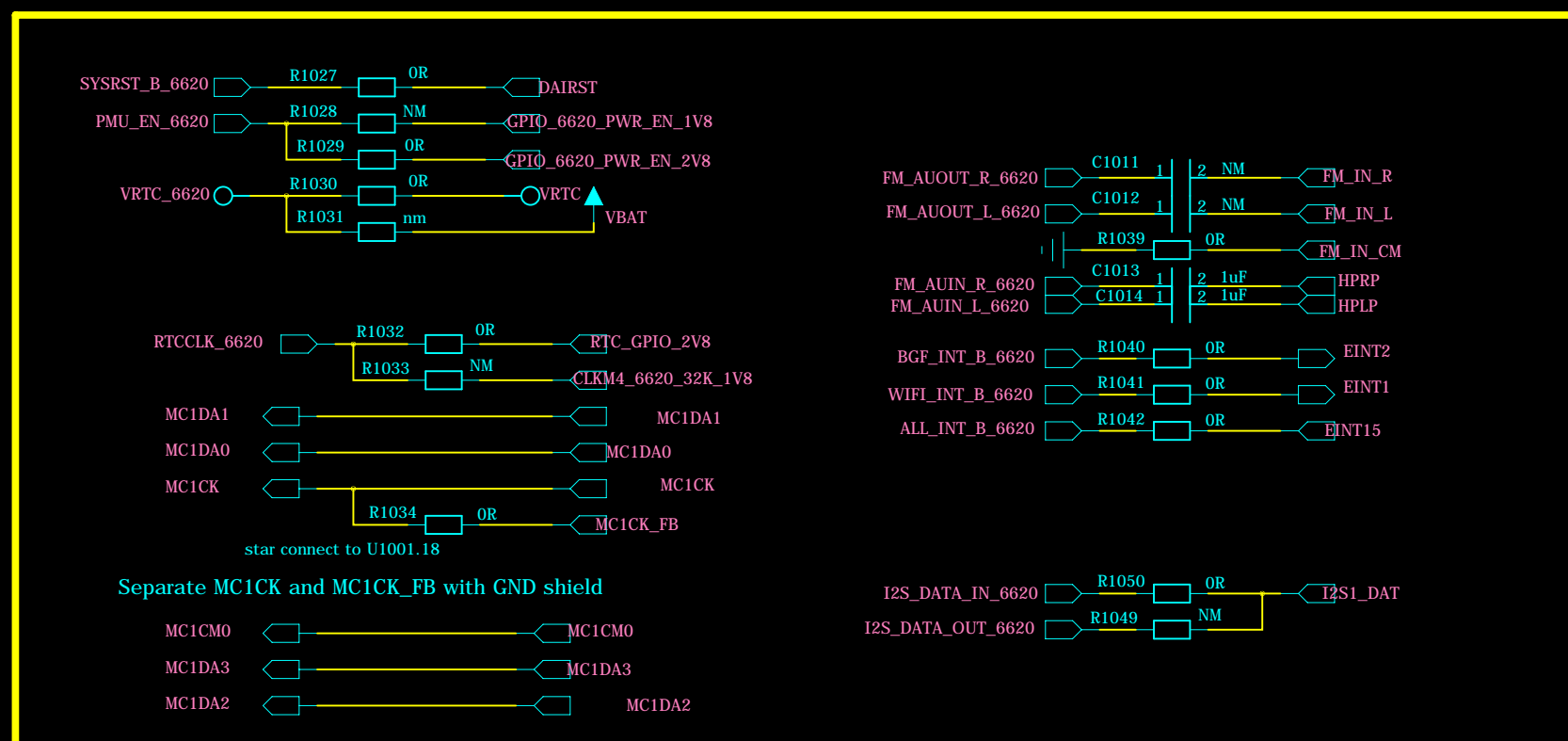
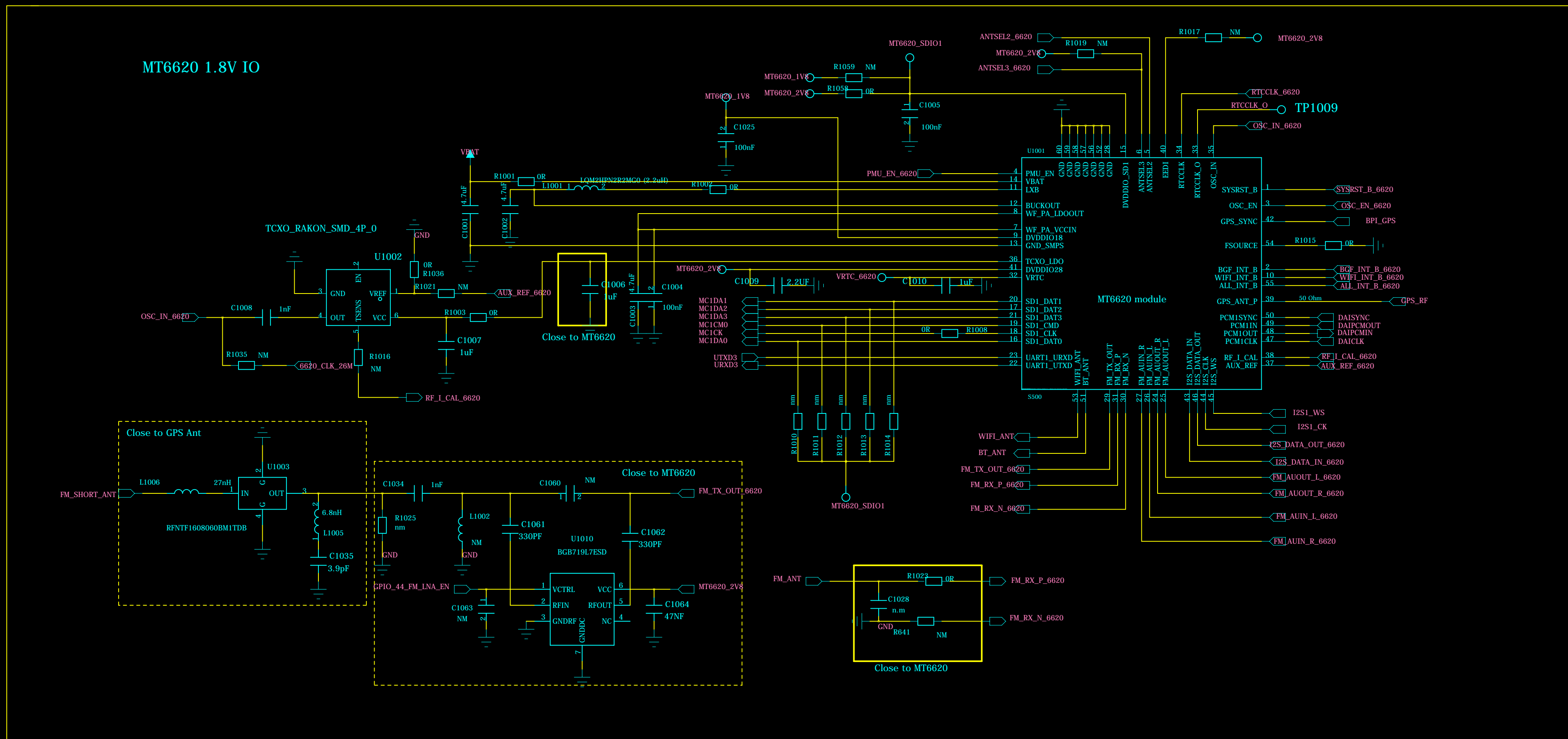
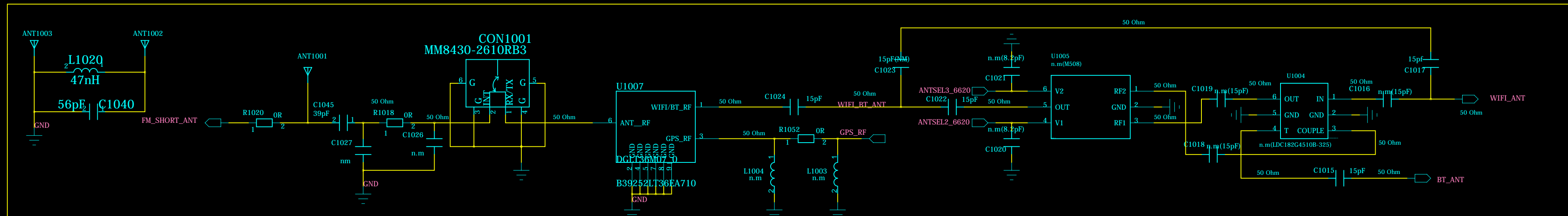
COMPANY:		LENOVOMOBILE			
TITLE:		Avatar32wg_MB_H302			
DRAWN:	YEXL	DATED:	2011-07-04	CODE:	
CHECKED:	<Checked By>	DATED:	<Checked Date>	SIZE:	
QUALITY CONTROL:	<QC By>	DATED:	<QC Date>	DRAWING NO.:	
RELEASED:	<Released By>	DATED:	<Release Date>	REV.:	
SCALE: <Scale>		SHEET: 7 of 14		DRAWING NO. <Code> D <Drawing Number> V4.1	

REVISION RECORD			
LTR	ECO NO.	APPROVED:	DATE:



COMPANY:		LENOVOMOBILE	
TITLE:		Avatar32wg_MB_H302	
DRAWN:	<Drawn By>	DATED:	2011-07-04
CHECKED:	<Checked By>	DATED:	<Checked Date>
QUALITY CONTROL:	<QC By>	DATED:	<QC Date>
RELEASED:	<Released By>	DATED:	<Release Date>
CODE:	<Code>	SIZE:	D<Drawing Number> V4.1
SCALE:		<Scale>	SHEET: 8of 14

REVISION RECORD			
LTR	ECO NO.	APPROVED:	DATE:



	XTEST1	EED1	ANISEL_3	
2.8V TCXO or OSC	0	0	0	Default
1.8V TCXO or OSC	0	1	0	
XTAL	0	0	1	
external clock mode	0	1	1	

	XTEST1	ANISEL_2	ANISEL_1	
WiFi:SDIO1	0	0	0	Default
WiFi:SDIO2	0	0	1	
WiFi:SPI	0	1	0	
WiFi:reserved	0	1	1	

	XTEST1	ANISEL_0	
UART1	0	0	Default
SDIO2	0	1	



تاميرات.com منبع مقاله

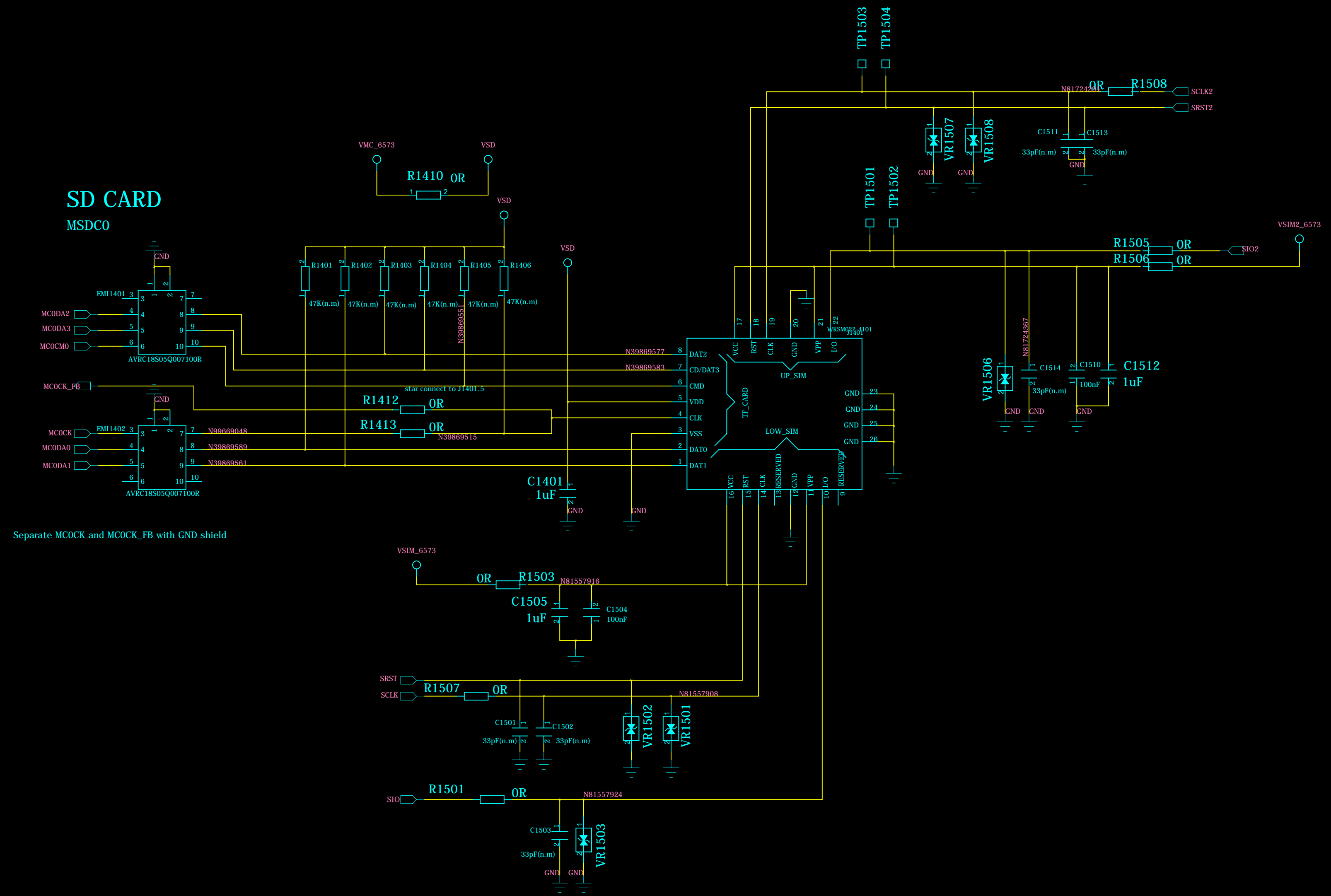
DRAWN: <Drawn By>		DATED: 2011-07-04	
CHECKED: <Checked By>		DATED: <Checked Date>	
QUALITY CONTROL: <QC By>		DATED: <QC Date>	
RELEASED: <Released By>		DATED: <Release Date>	

COMPANY: LENOVO MOBILE			
TITLE: Avatar32wg_MB_H302			
CODE: <Code>	SIZE: D <Drawing Number>	DRAWING NO: V4.1	REV: 14
SCALE: <Scale>		SHEET: 9 of 14	



tamiraat.com منبع مقاله

REVISION RECORD			
LTR	ECO NO.	APPROVED:	DATE:



D

D

C

C

B

B

A

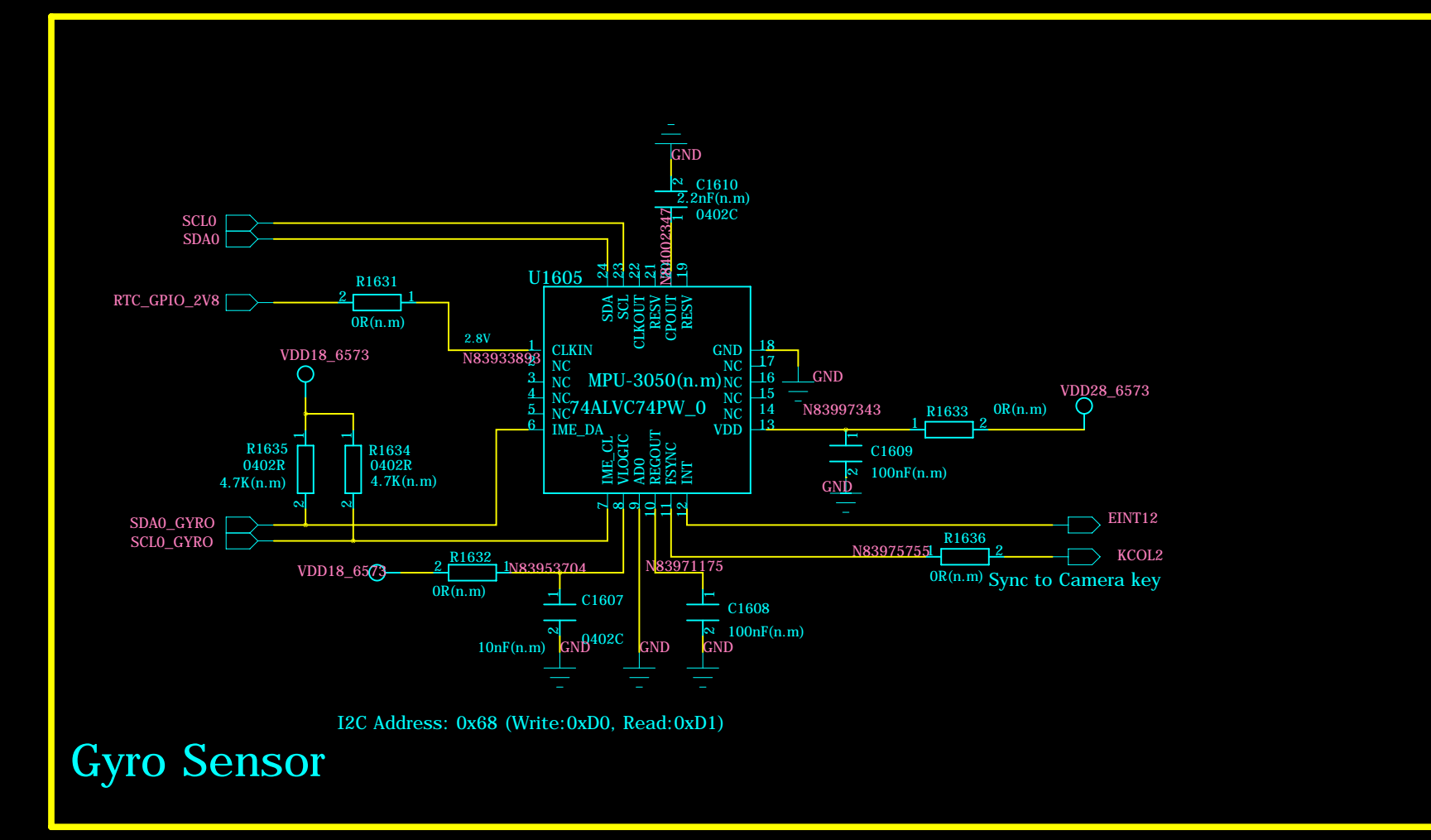
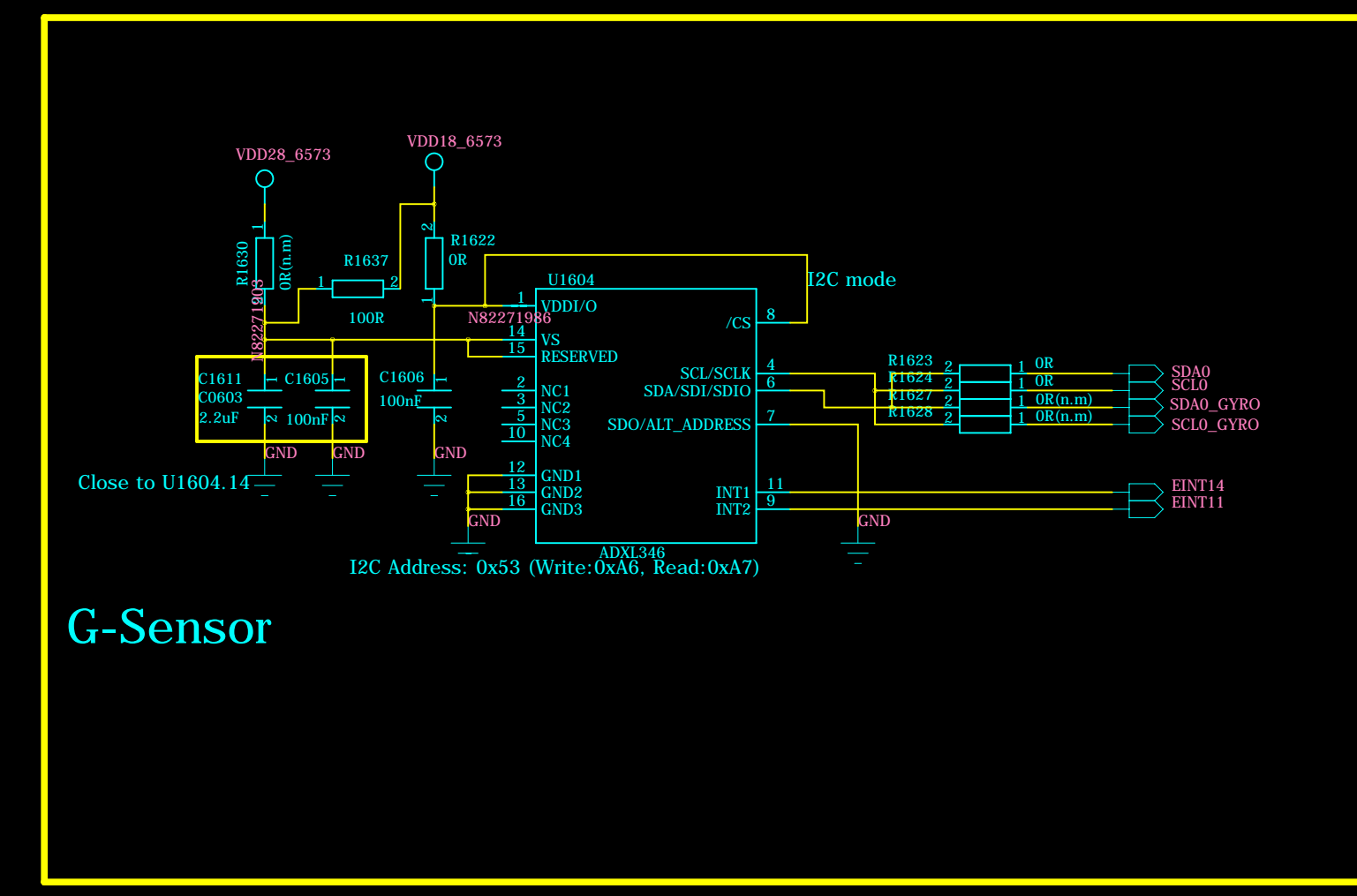
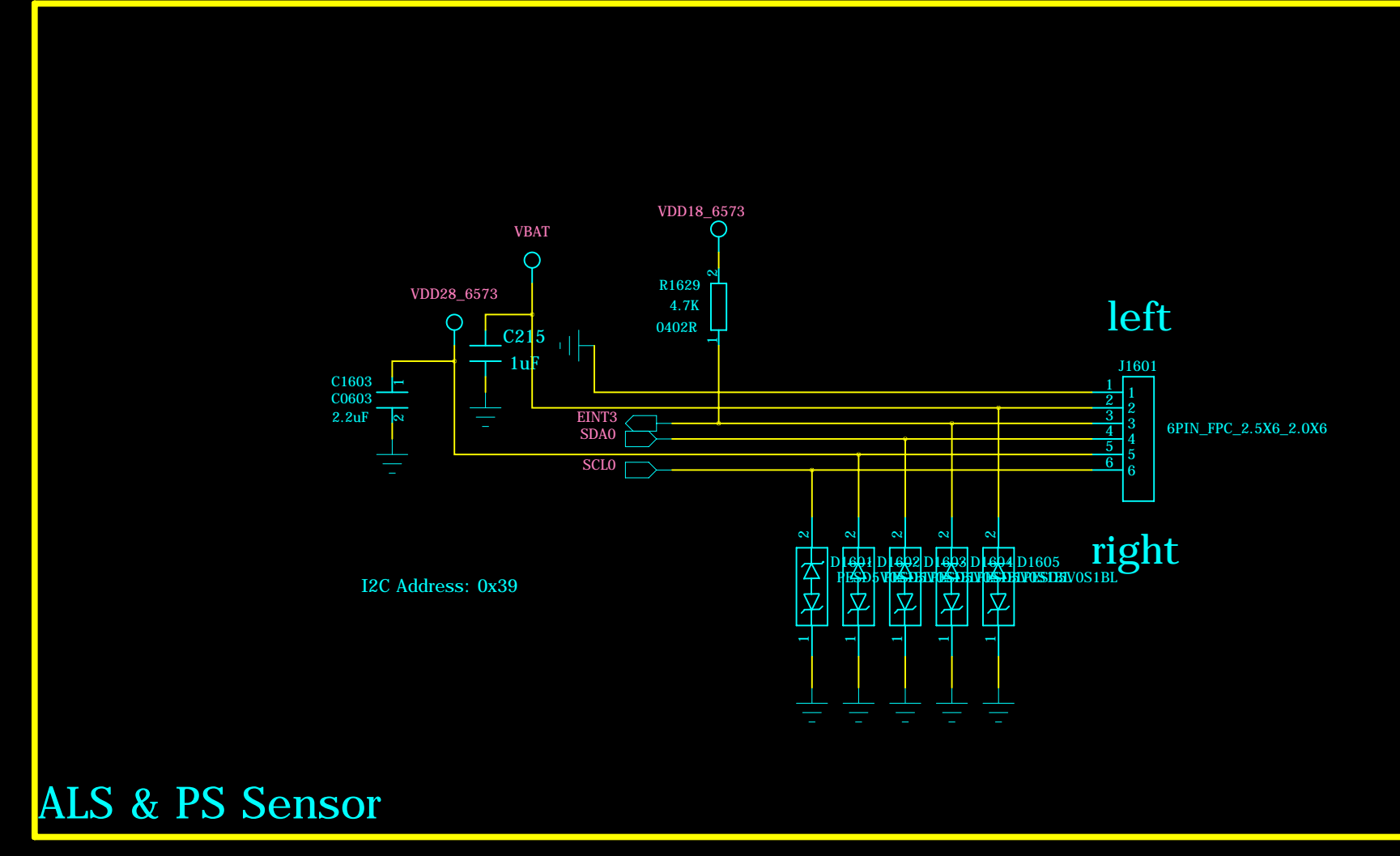
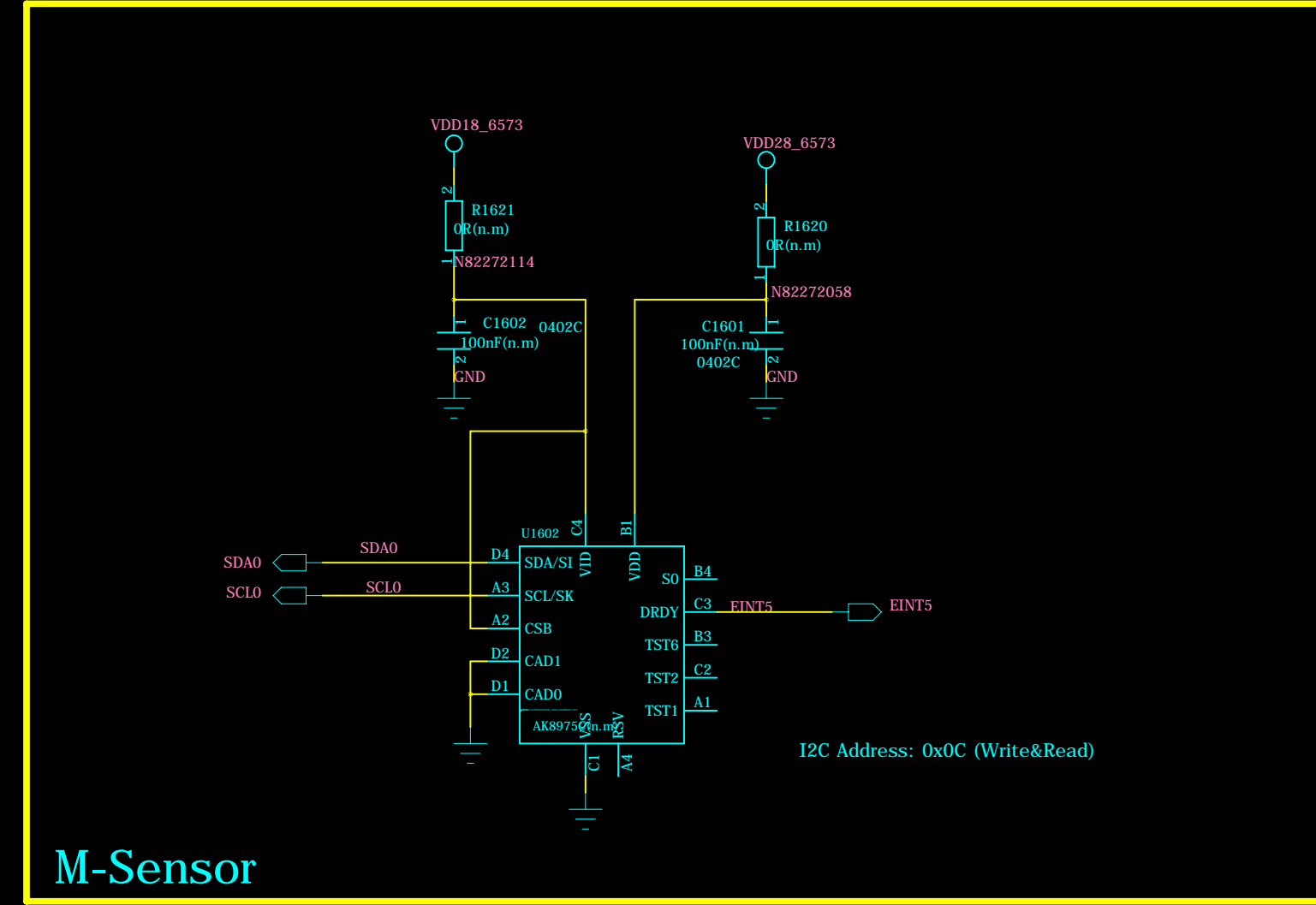
A

COMPANY: LENOVOMOBILE			
TITLE: Avatar32wg_MB_H302			
DRAWN: <Drawn By>	DATED: 2011-07-04	CODE:	SIZE:
CHECKED: <Checked By>	DATED: <Checked Date>	DRAWING NO:	
QUALITY CONTROL: <QC By>	DATED: <QC Date>	REV: V4.1	
RELEASED: <Released By>	DATED: <Release Date>	SCALE: <Scale>	SHEET: 1 of 14



tamiraat.com منبع مقاله

REVISION RECORD			
LTR	ECO NO.	APPROVED:	DATE:

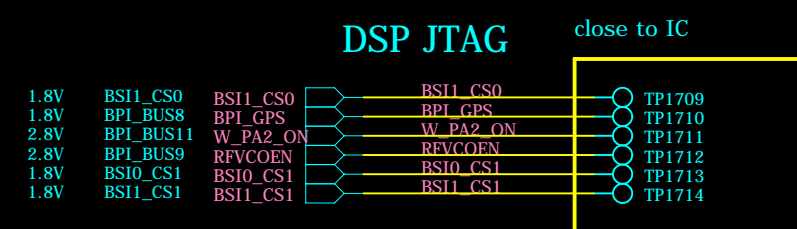
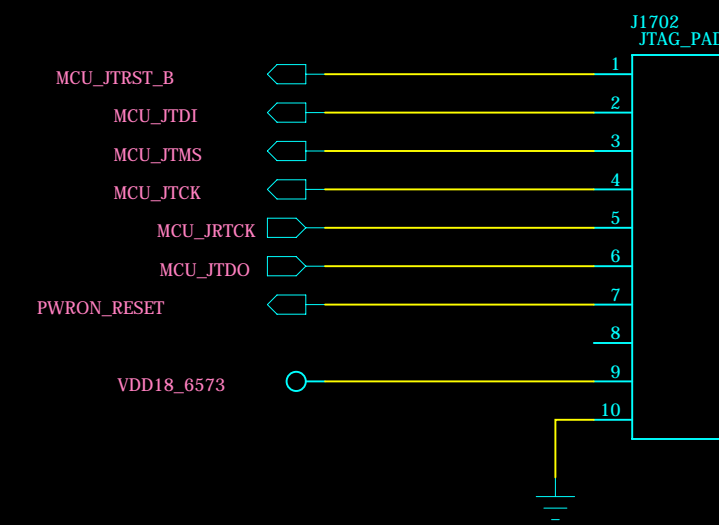


COMPANY: LENOVOMOBILE			
TITLE: Avatar32wg_MB_H302			
DRAWN: <Drawn By>	DATED: 2011-07-04	CODE:	SIZE:
CHECKED: <Checked By>	DATED: <Checked Date>	DRAWING NO: D<Drawing Number> V4.1	
QUALITY CONTROL: <QC By>	DATED: <QC Date>	SCALE: <Scale>	
RELEASED: <Released By>	DATED: <Release Date>	SHEET: 16 14	



REVISION RECORD			
LTR	ECO NO.	APPROVED:	DATE:

Trace32 (under the battery)



COMPANY: LENOVOMOBILE			
TITLE: Avatar32wg_MB_H302			
DRAWN: <Drawn By>	DATED: 2011-07-04	CODE: <Code>	SIZE: D
CHECKED: <Checked By>	DATED: <Checked Date>	DRAWING NO: <Drawing Number>	REV: V4.1
QUALITY CONTROL: <QC By>	DATED: <QC Date>	SCALE: <Scale>	
RELEASED: <Released By>	DATED: <Release Date>	SHEET: 1 of 14	