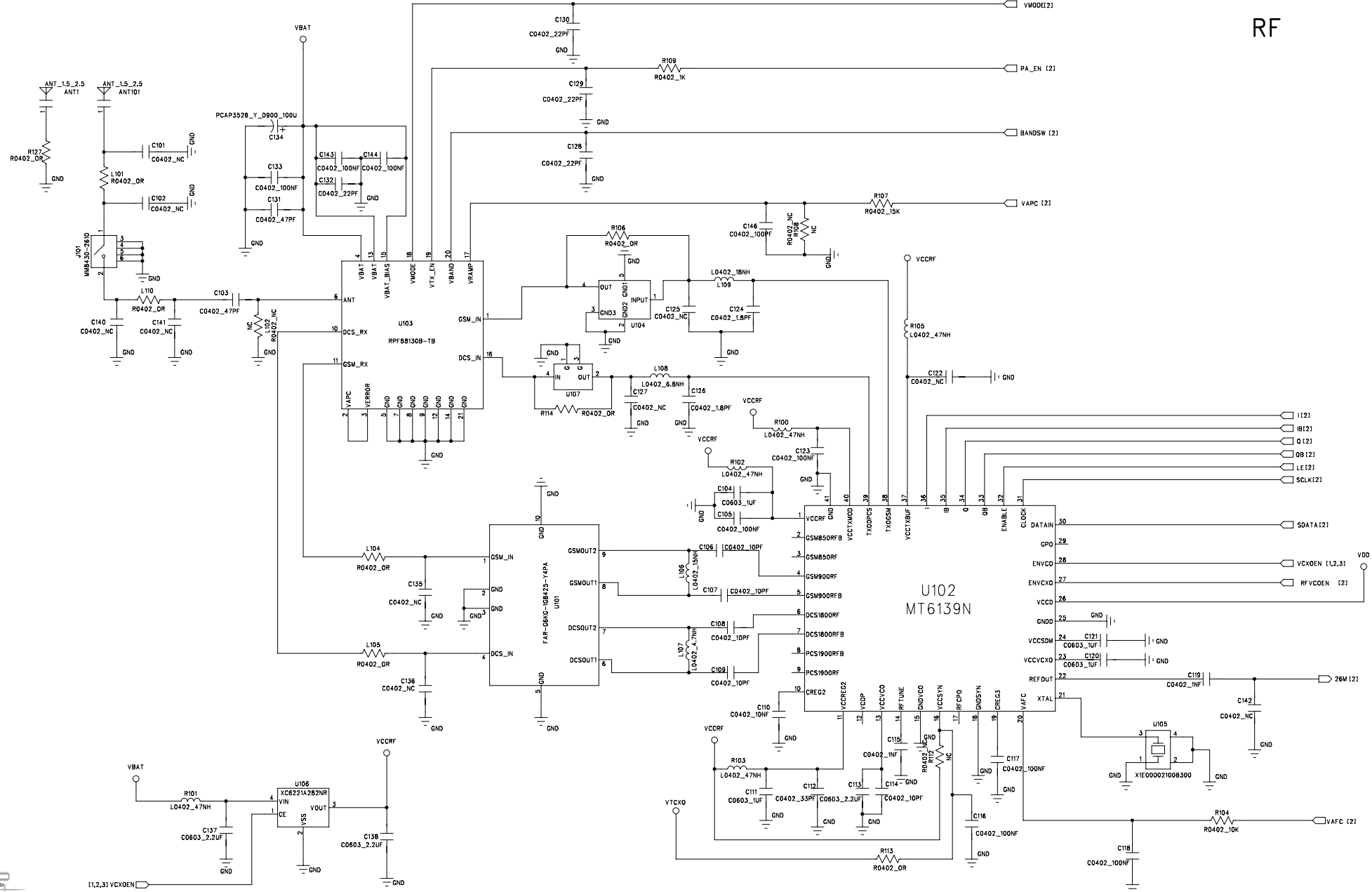
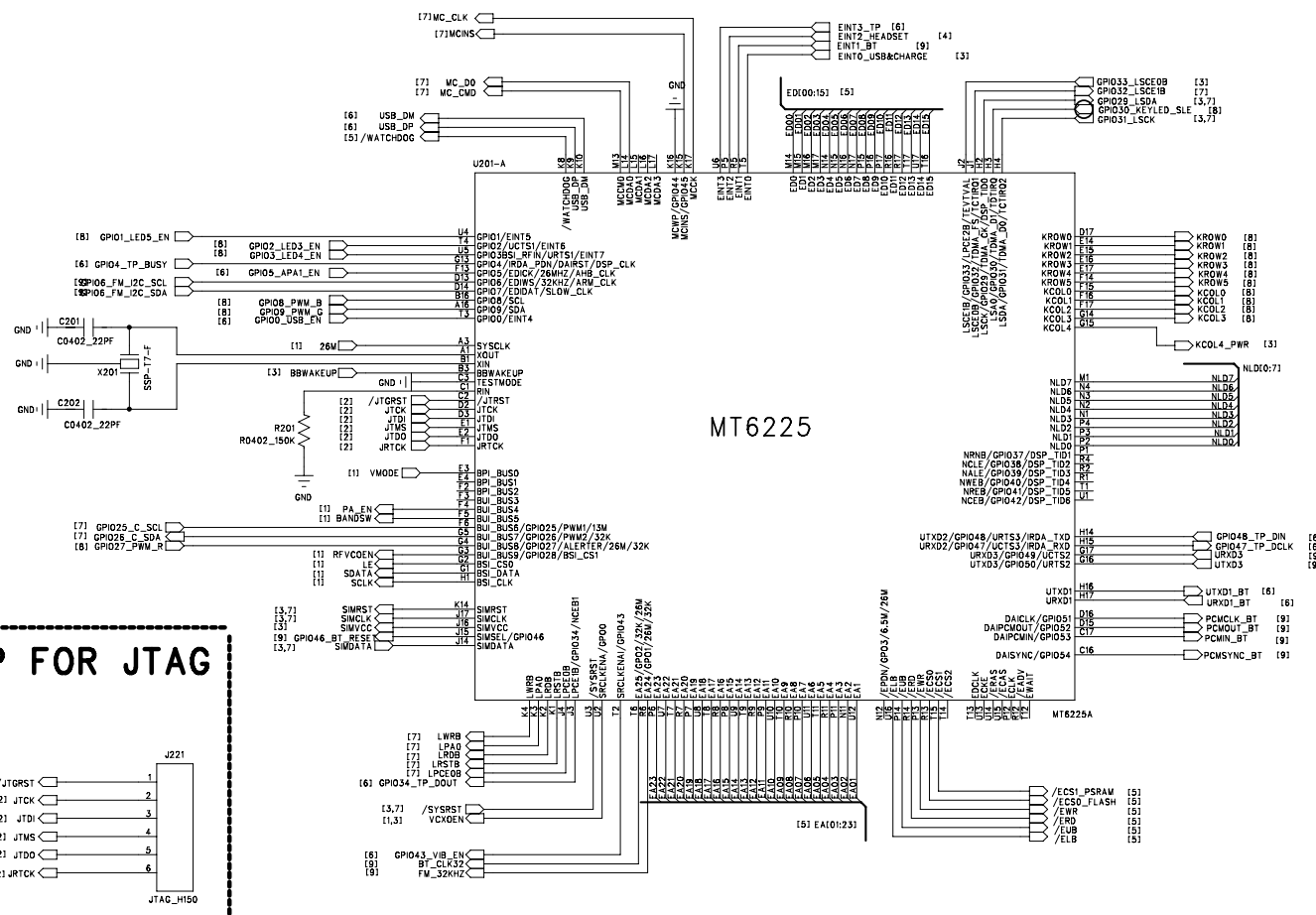


RF

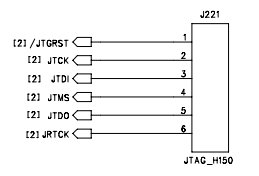


LENOVO		MODEL:	A350	DRAWING NO.:	
DRAWN	DATED	TITLE:	RF	VERSION:	V3.0
CHECKED	DATED			SHEET:	1/9

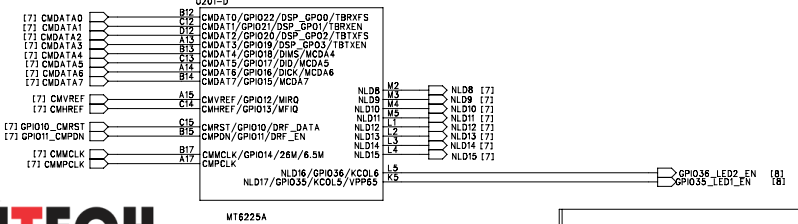
MT6225-PART1-DBB



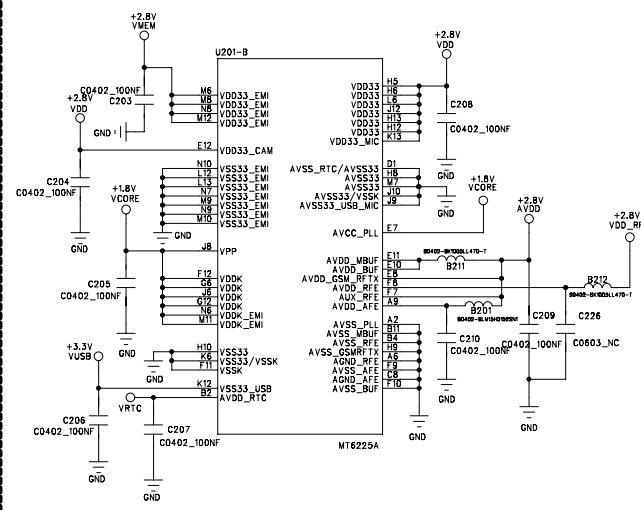
TP FOR JTAG



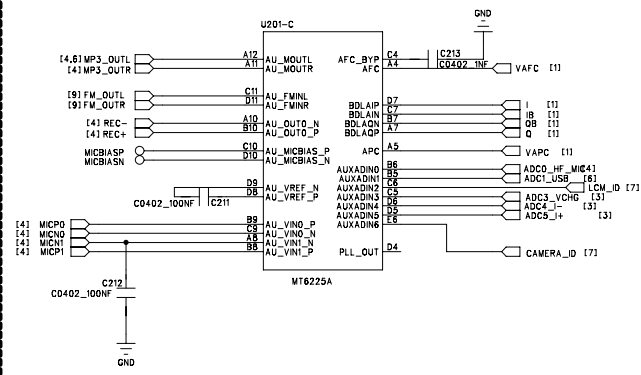
MT6225-PART4-CAMERA_INTERFACE



MT6225-PART2-POWER



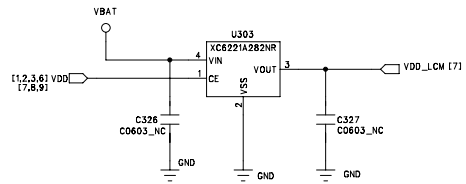
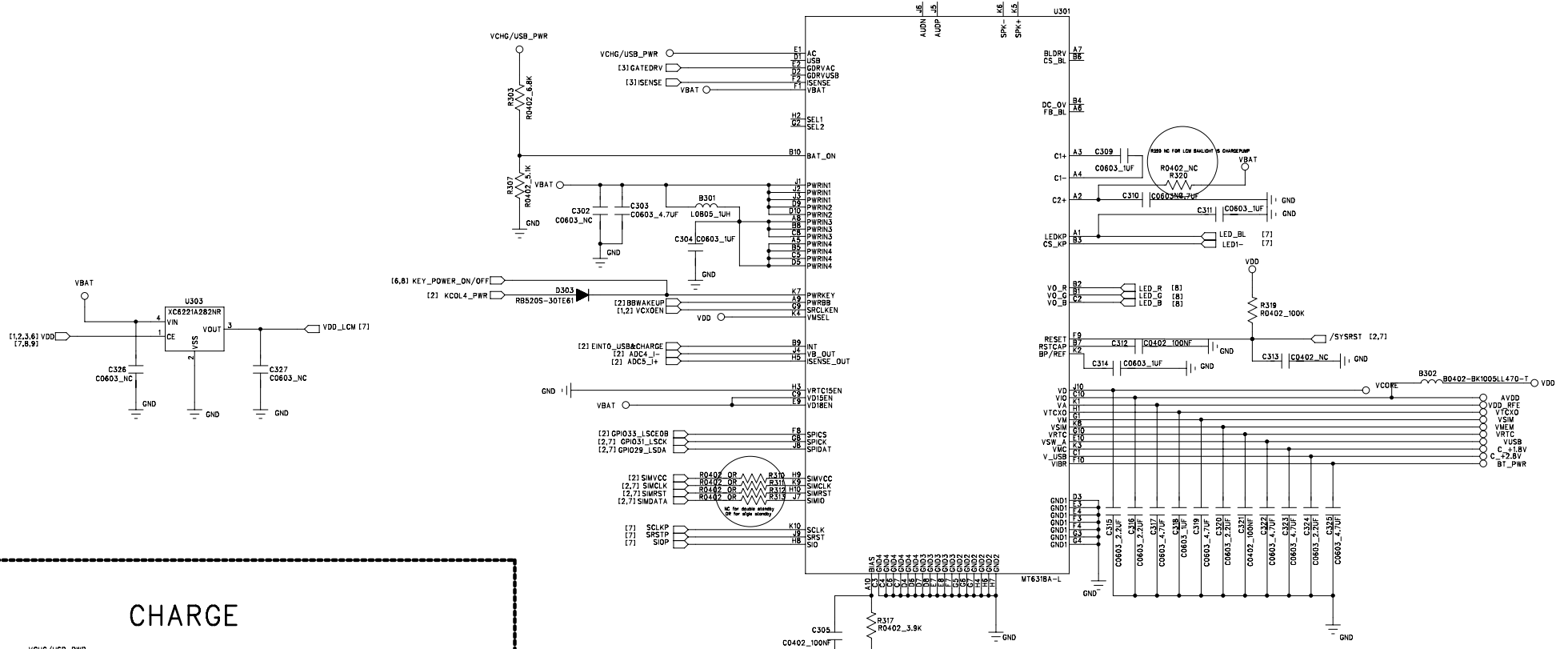
MT6225-PART3-ABB



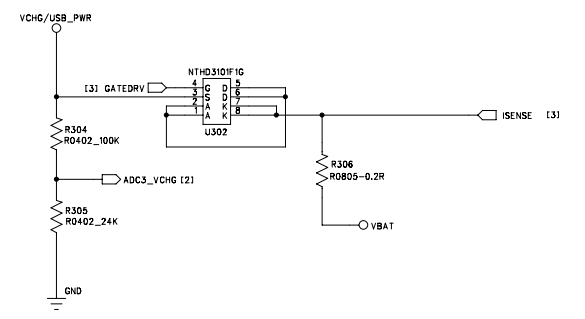
LENOVO

DRAWN		DATED		MODEL: A350		DRAWING NO.:	
CHECKED		DATED		TITLE: BB-MT6225		VERSION: V3.0	
						SHEET: 2/9	

PMIC6318

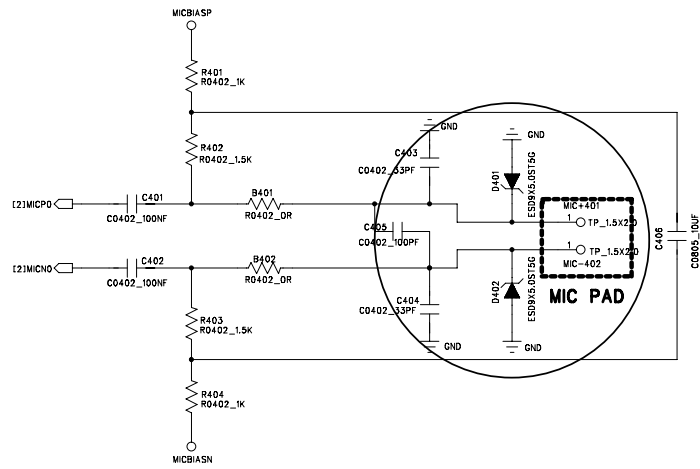


CHARGE

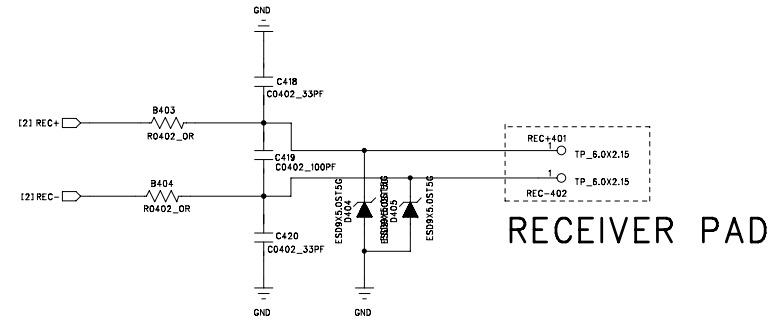


DRAWN		DATED		MODEL: A350		DRAWING NO.:	
CHECKED		DATED		TITLE: PMIC+CHARGE		VERSION: V3.0	
						SHEET: 3/9	

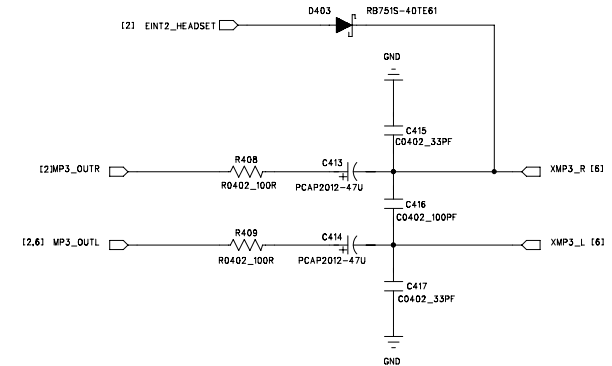
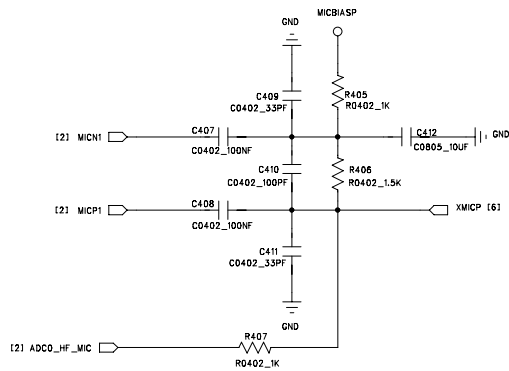
MIC



RECEIVER

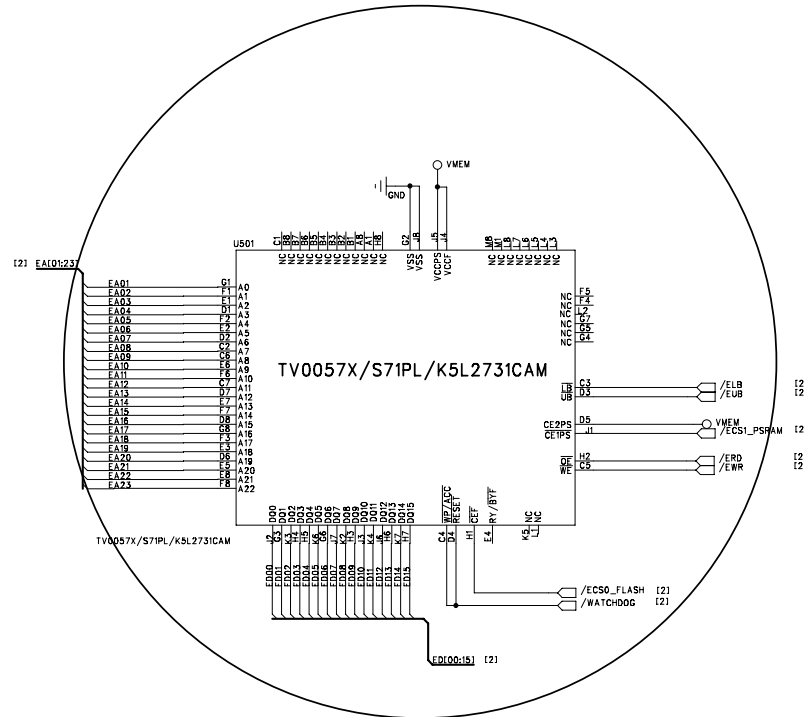


AUX.MIC.REC



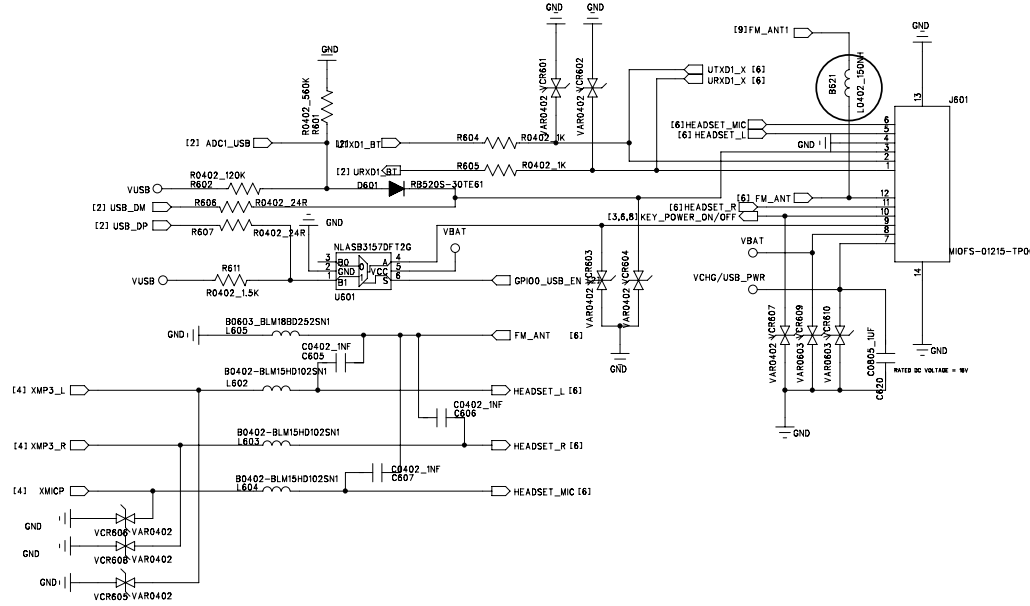
LENOVO		MODEL:	A350	DRAWING NO.:	
DRAWN		DATED		TITLE:	MIC+REC+AUX.MIC.REC
CHECKED		DATED		VERSION:	V3.0
				SHEET:	4 / 9

MCP:NOR,SRAM,NAND

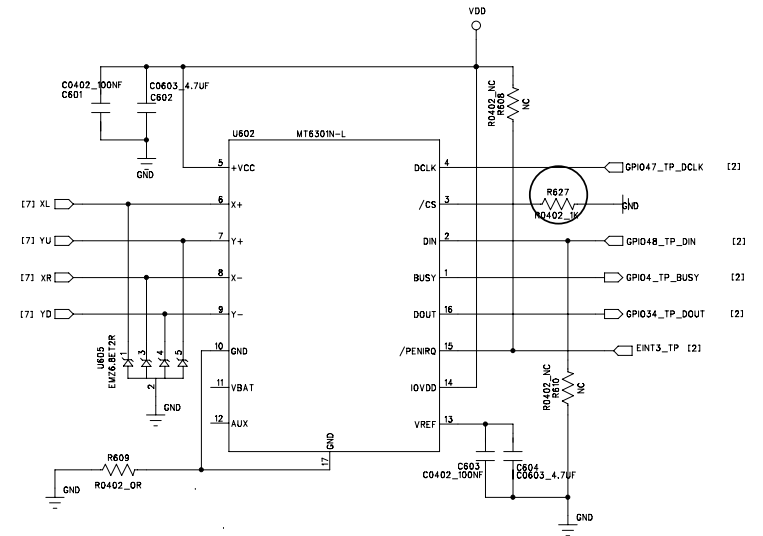


LENOVO		MODEL: A350	DRAWING NO.:	
DRAWN	DATED	TITLE: MEMORY	VERSION: V3.0	SHEET: 5/9
CHECKED	DATED			

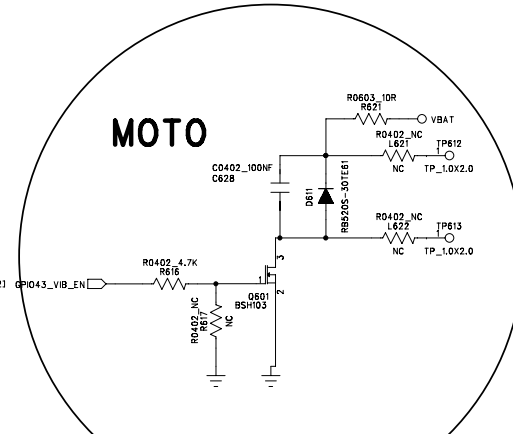
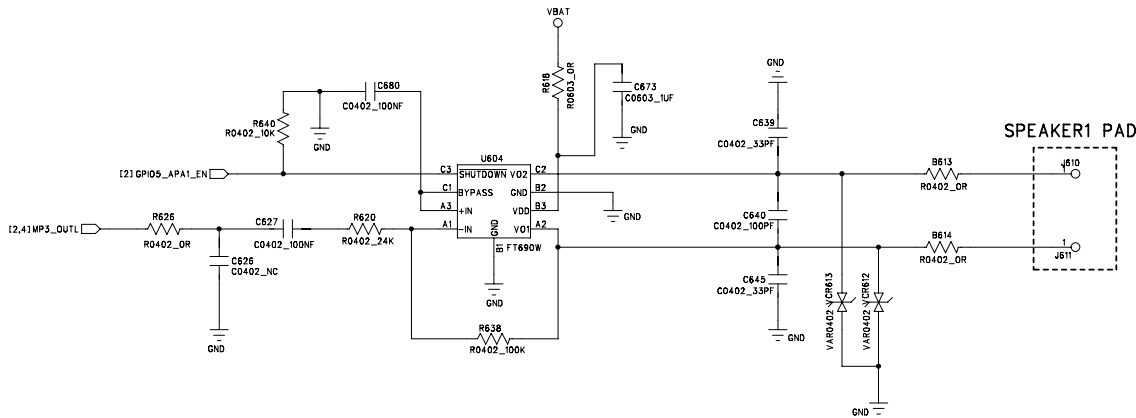
I/O CONNECTOR



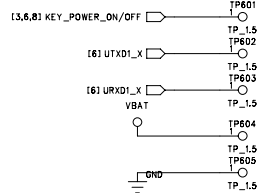
TOUCH SCREEN IC



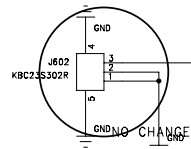
CLASS AB AUDIO PA



TP FOR PRODUCTION

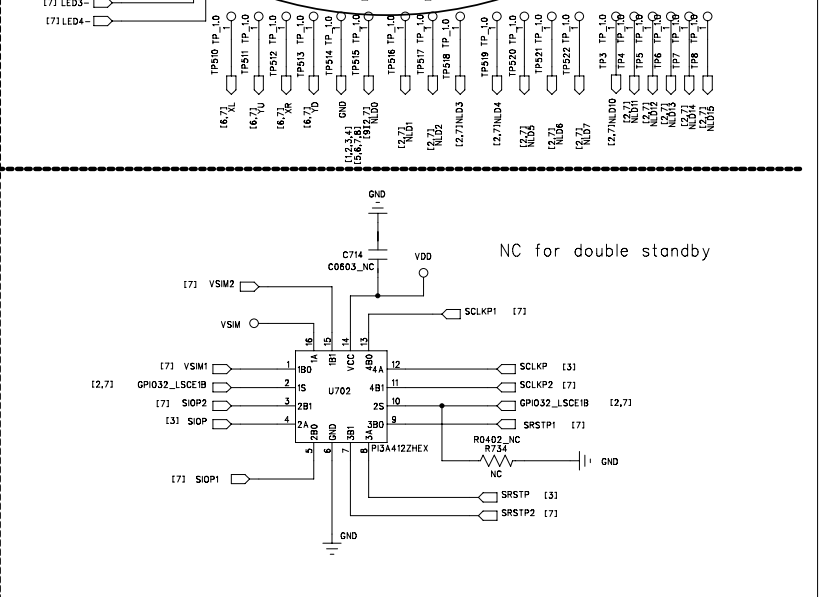
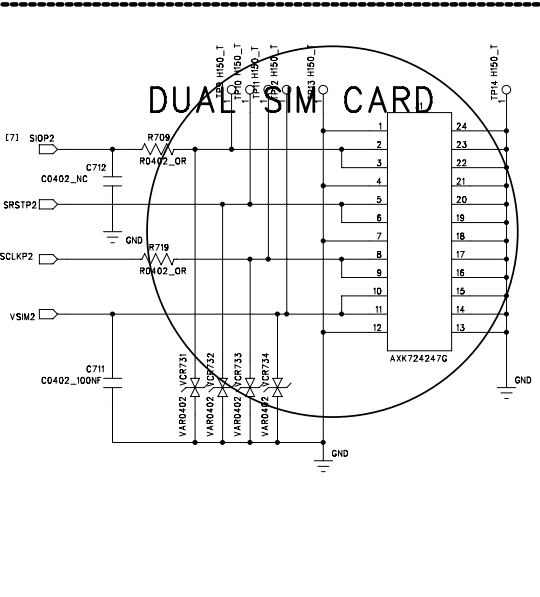
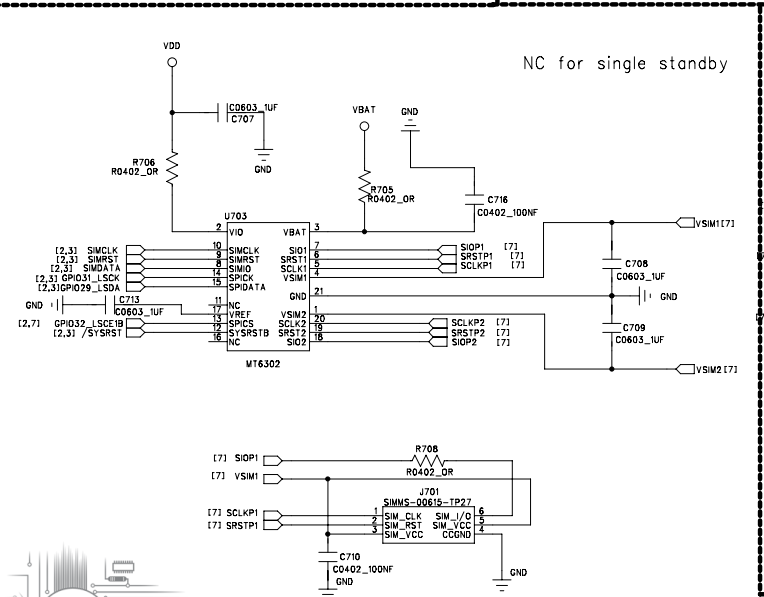
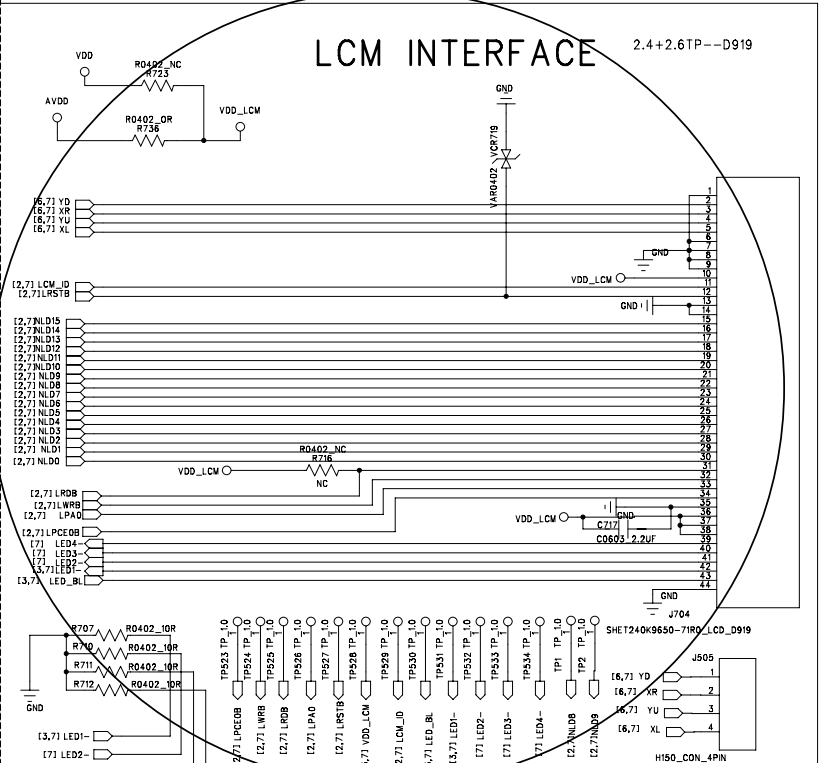
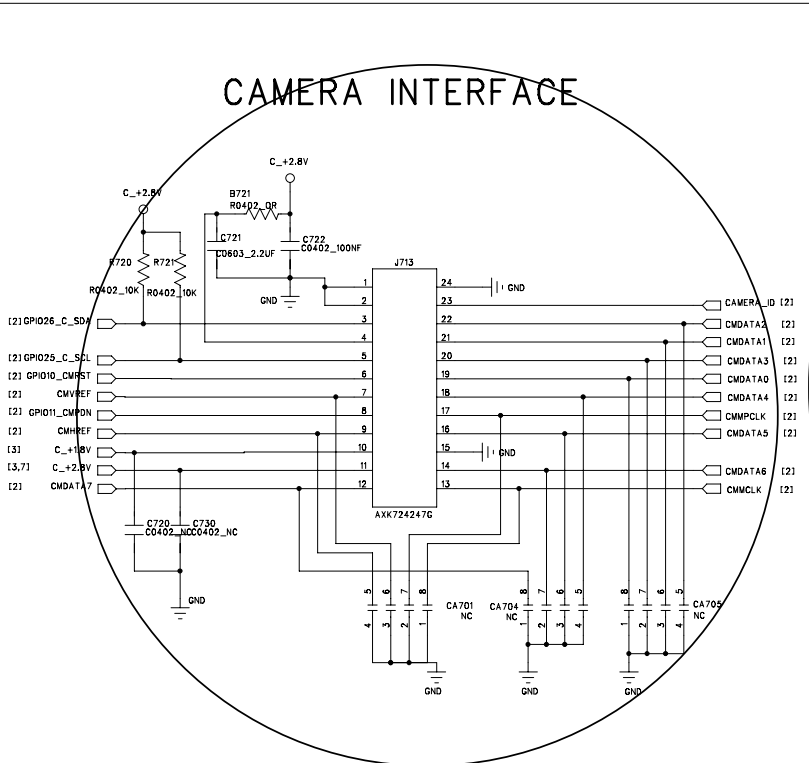
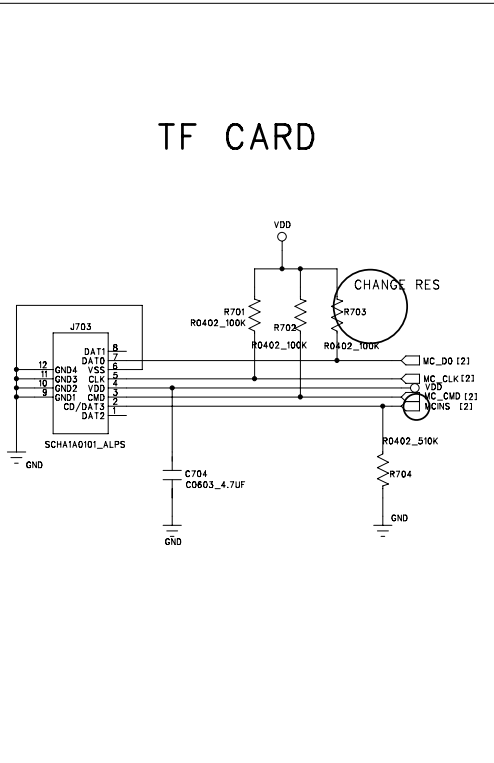


BATTERY CON



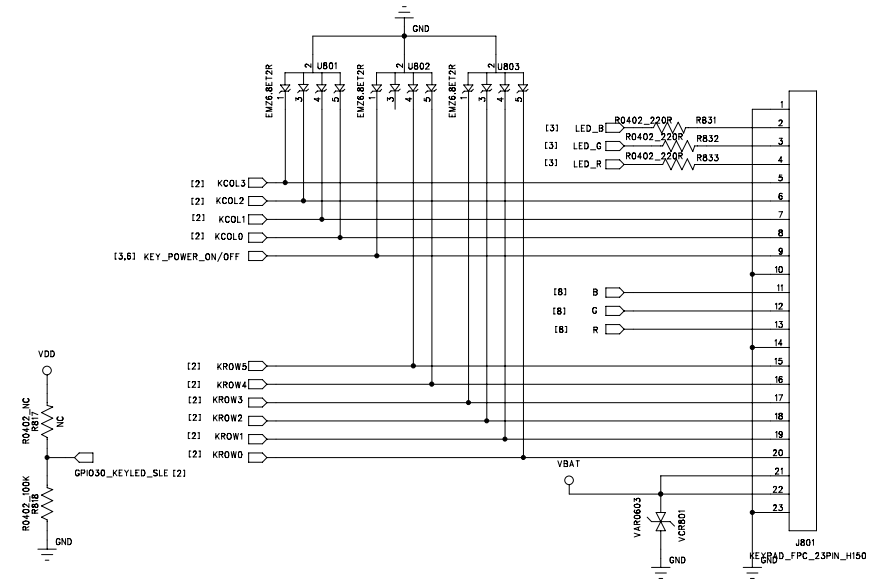
LENOVO

DRAWN		DATED		MODEL: A350	DRAWING NO.:	
CHECKED		DATED		TITLE: IO+TP+AUDIO.PA	VERSION: V3.0	SHEET: 6/9

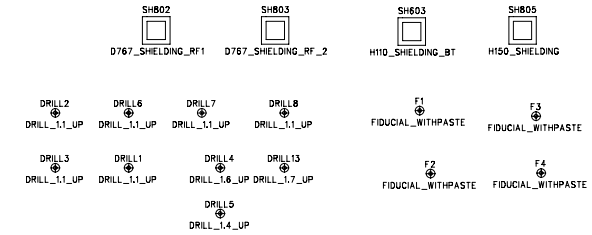


<h1>LENOVO</h1>		MODEL: A350	DRAWING NO.:	
DRAWN	DATED	TITLE: SIM+TFLASH+LCM+CAM	VERSION: V3.0	SHEET: 7/9
CHECKED	DATED			

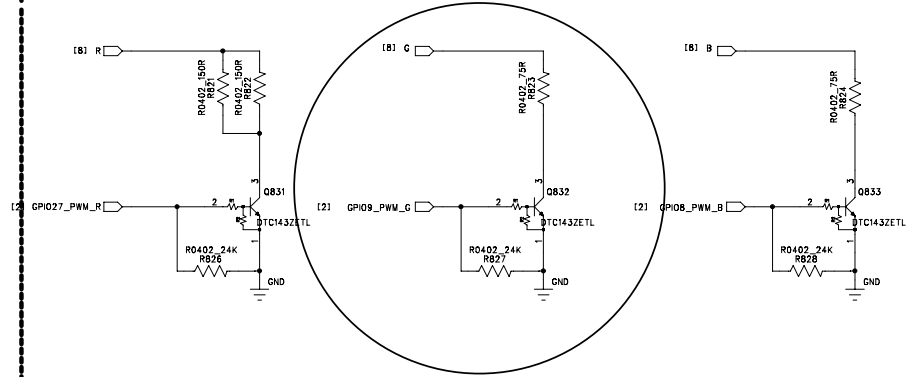
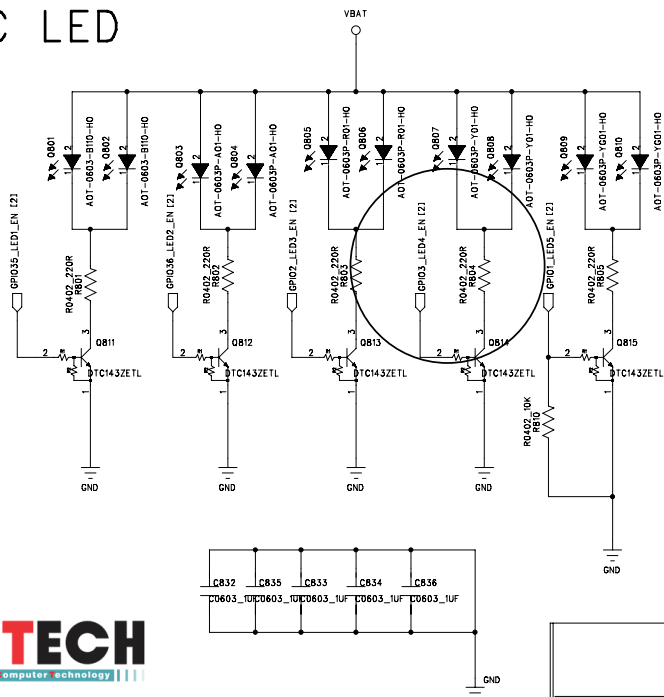
KEYPAD



SHIELDING CASE



MAGIC LED



LENOVO

MODEL: A350

DRAWING NO.:

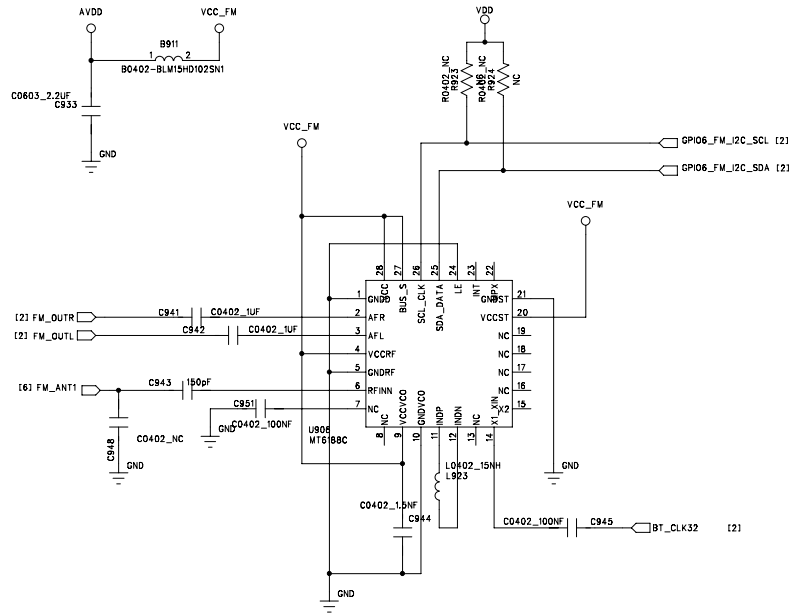
DRAWN		DATED	
CHECKED		DATED	

TITLE: KEY+LED+SHIELDING

VERSION: V3.0

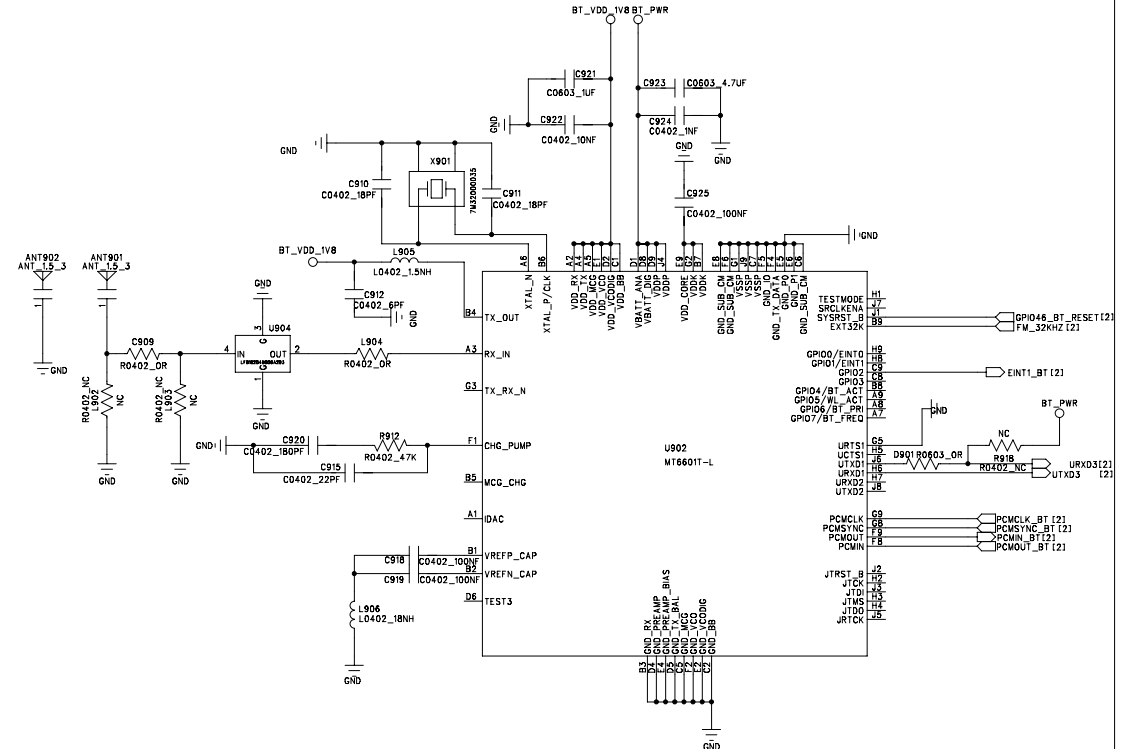
SHEET: 8/9

FM



BLUETOOTH

R919=NC C916=NC C917=NC R923=0R for BT Crystal=32MHz
 R919=390R C916=4.7nF C917=360pF R923=NC for BT Crystal=26MHz
 D901 change to 0R when 6318 change to diode when 6305



<h1>LENOVO</h1>		MODEL: A350	DRAWING NO.:	
DRAWN		DATED		
CHECKED		DATED	TITLE: FM+BT	VERSION: V3.0 SHEET: 9/9