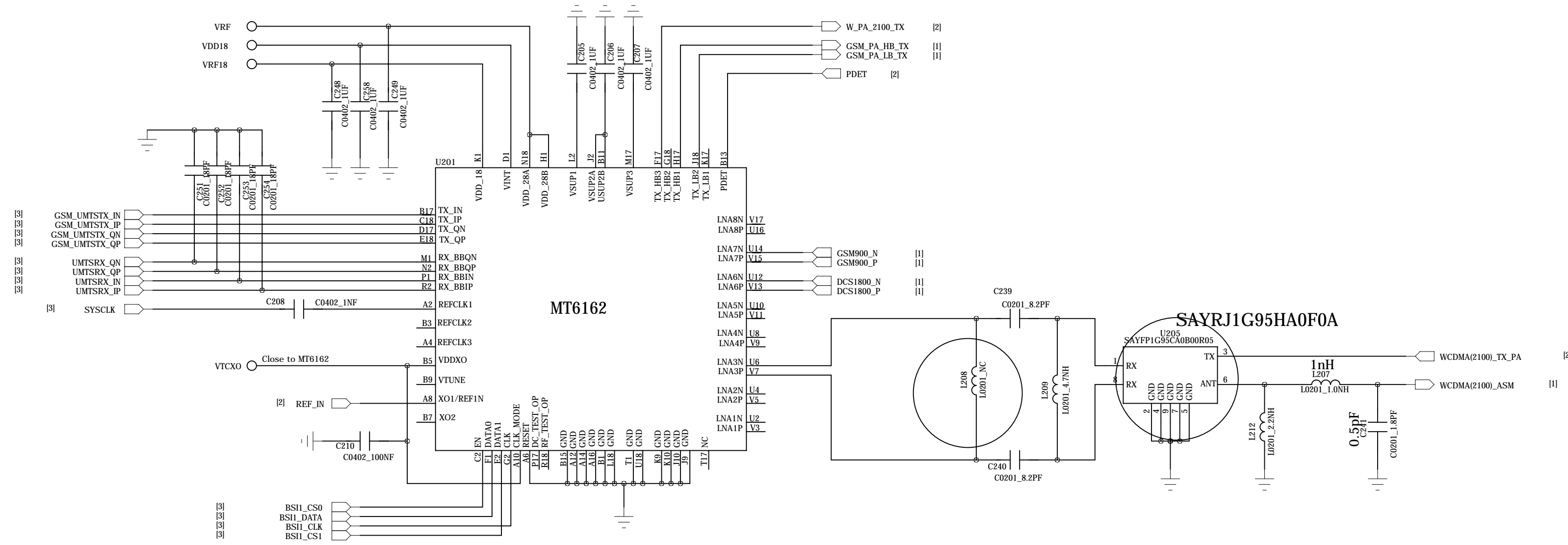
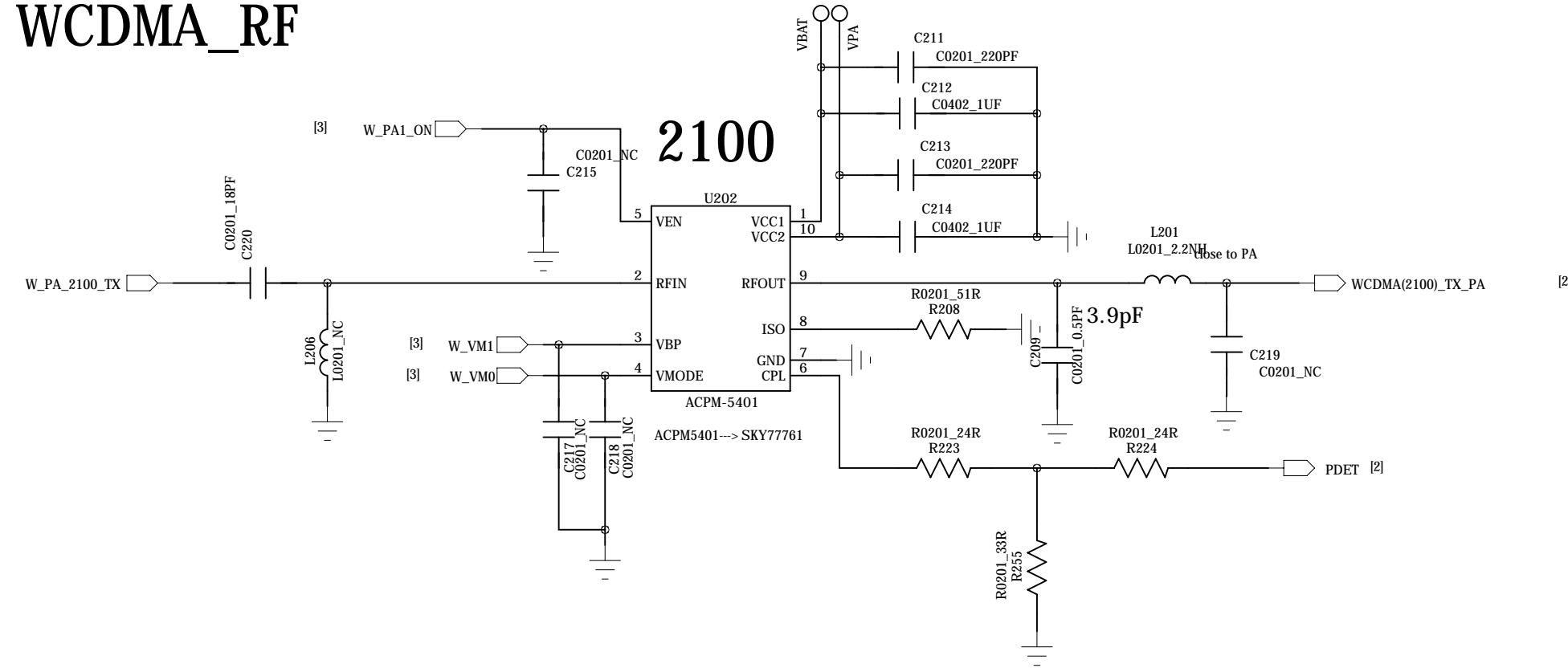
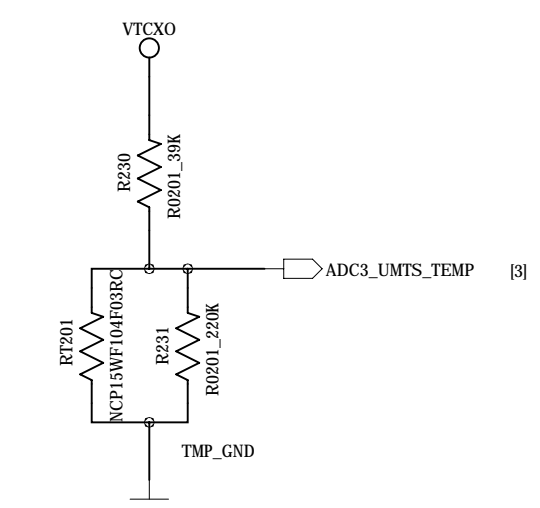
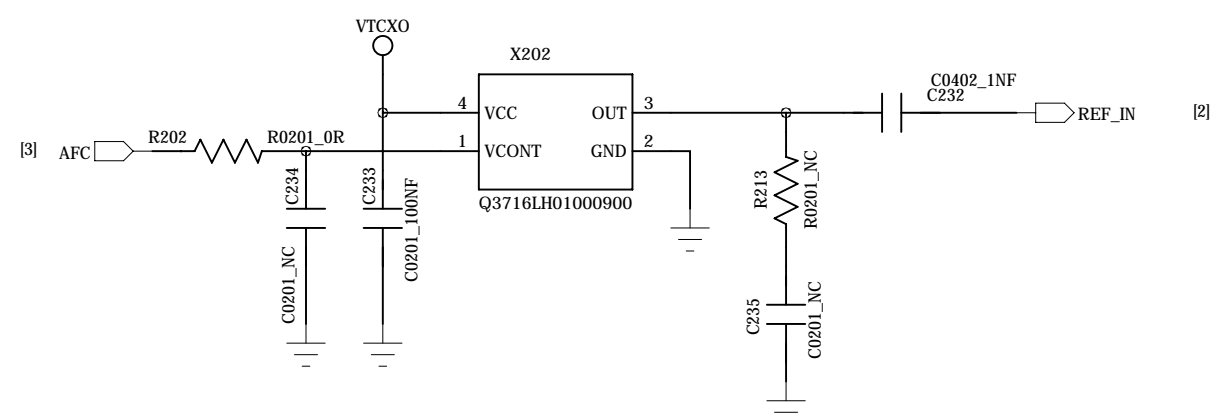


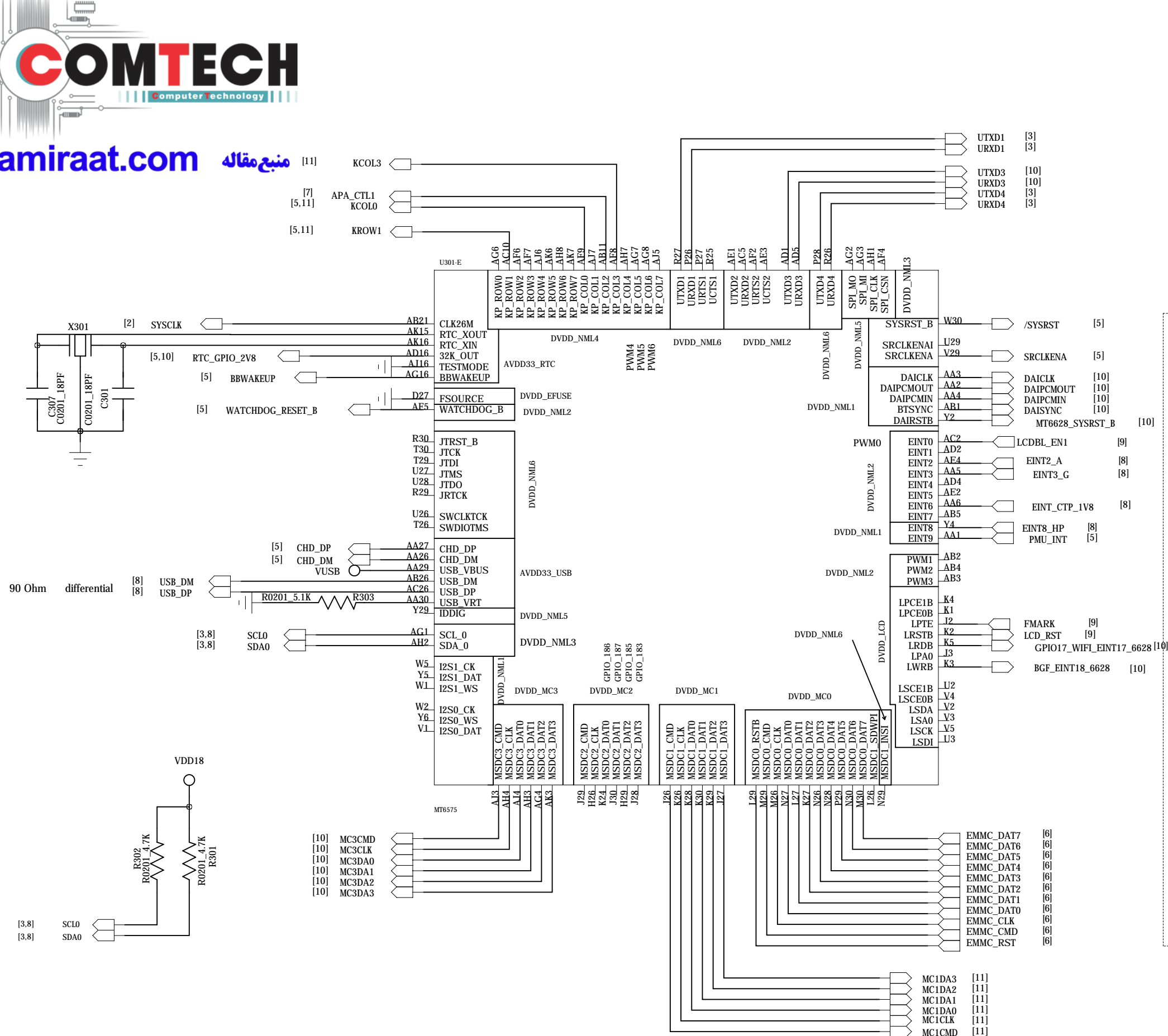
<h1>HUAQIN</h1>		MODEL:	DRAWING NO.:	
DRAWN	DATED	TITLE:	VERSION:	SHEET:
CHECKED	DATED			



26MHZ_TCXO



<h1>HUAQIN</h1>		MODEL:	DRAWING NO.:	
DRAWN		DATED		
CHECKED		DATED	TITLE:	VERSION:
			SHEET:	



PWM1-3 can be used for sleep mode

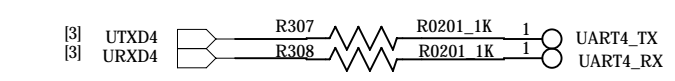
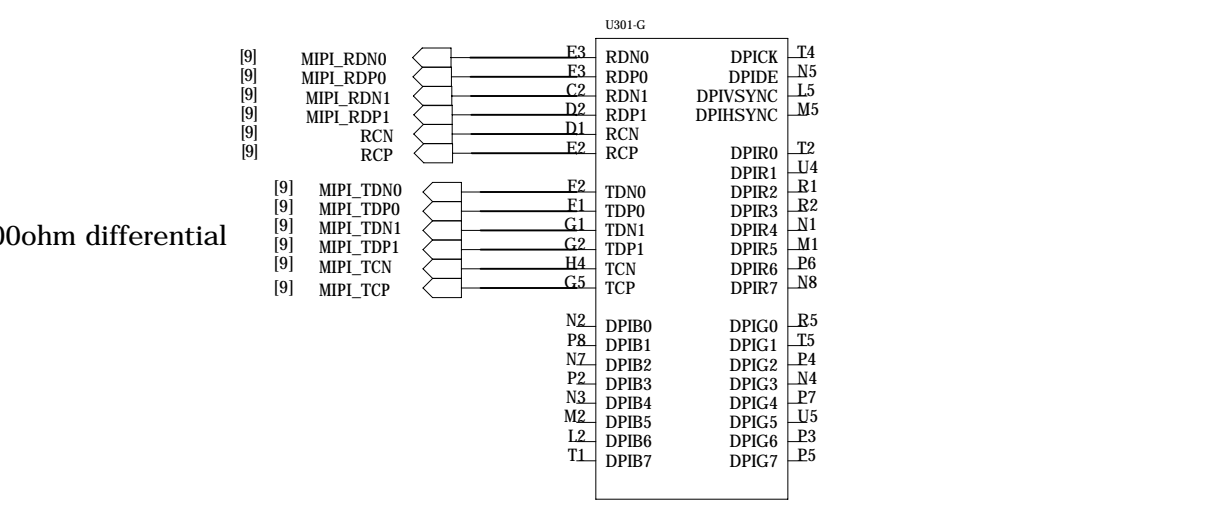
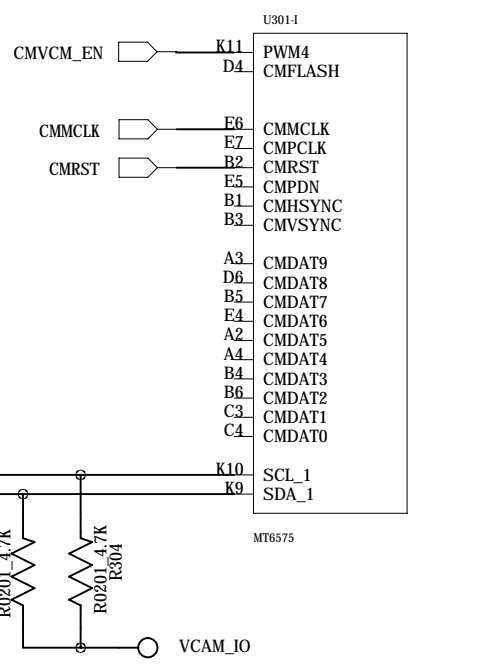
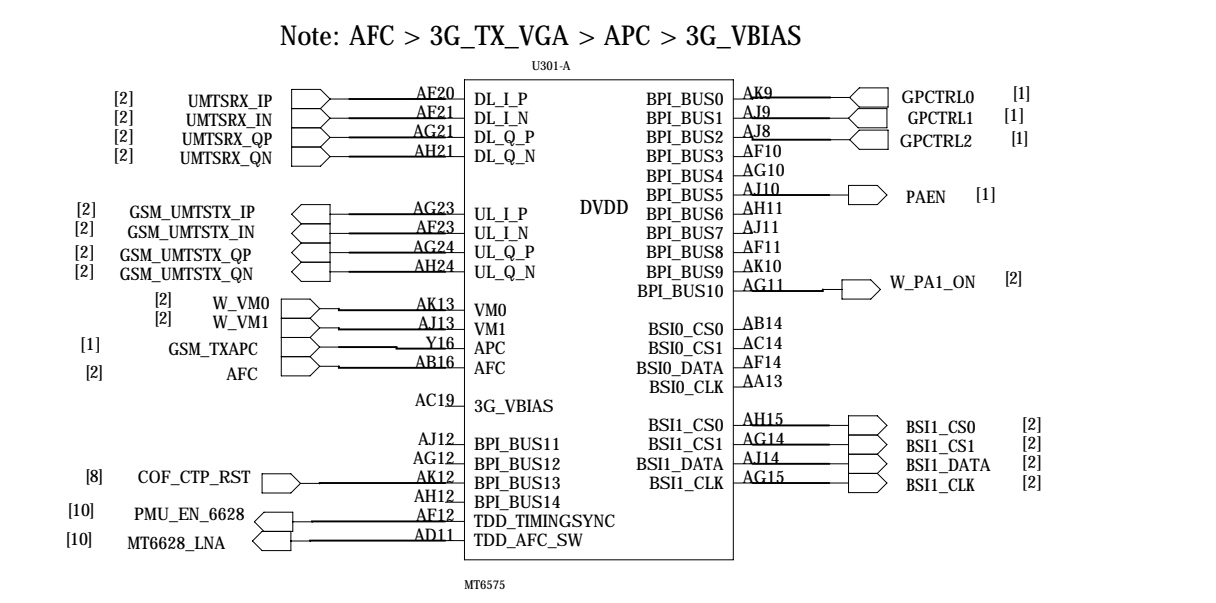
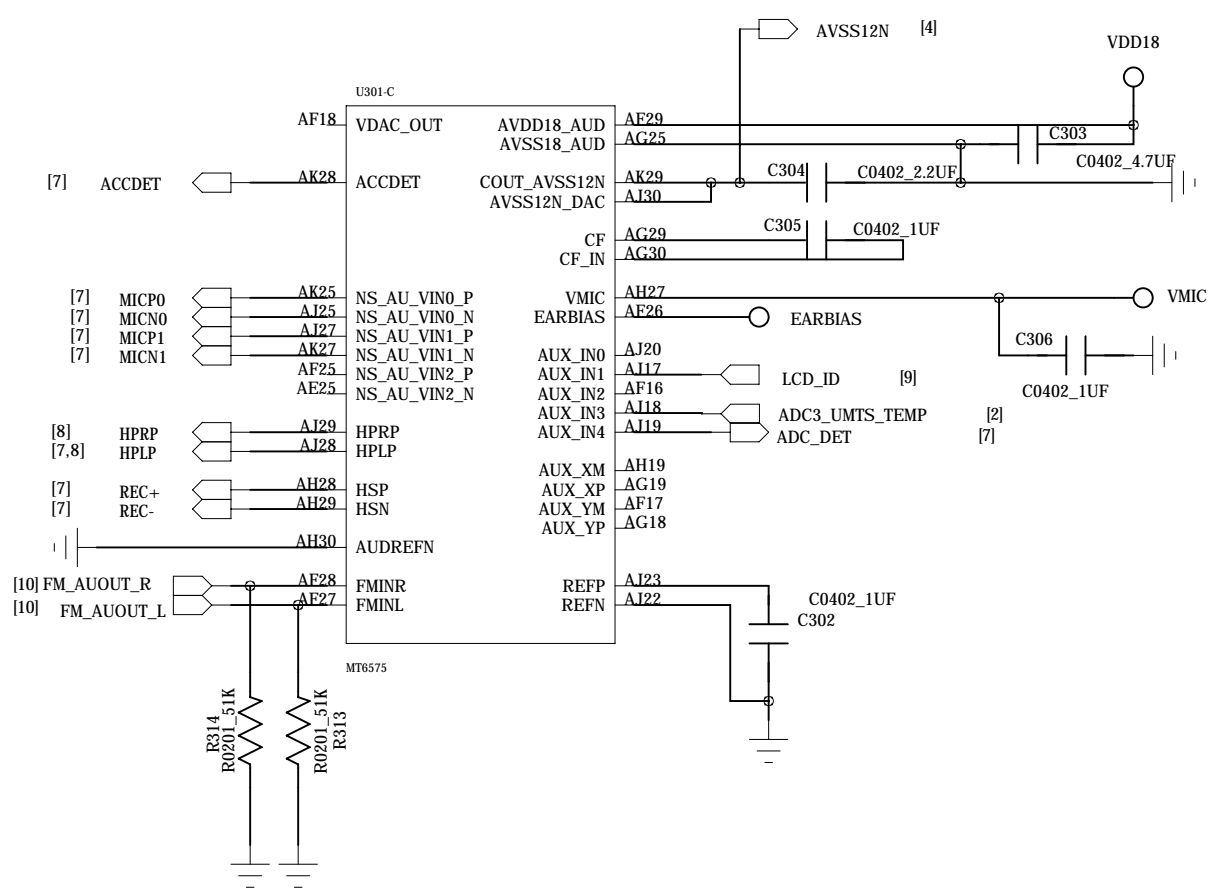
EINT0: HEADSET / SENSOR
 EINT1: AST2001 GPIO0_EINT / SENSOR
 EINT2: MT6620 BGF_EINT / SENSOR
 EINT3: SENSOR / USB (reserved)
 EINT4: MT6620 WIFI_EINT / SENSOR
 EINT5: ATV / SENSOR
 EINT6: CTP
 EINT7: AST2001 HI_EINT / SENSOR
 EINT8: MT6329
 EINT9: MT6329 Watchdog

UART1: Download
 UART2: NFC
 UART3: MT6620
 UART4: Debug

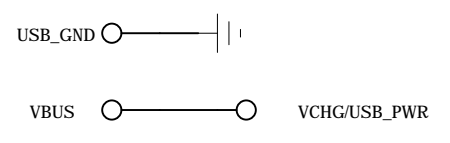
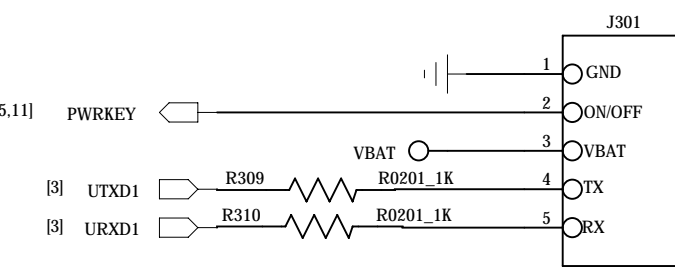
I2C0 : G/M/GYRO/ CTP / OFN
 I2C1 : Camera / ATV
 I2C2 : PMIC

I2S0 : ATV
 I2S1 : MT6620

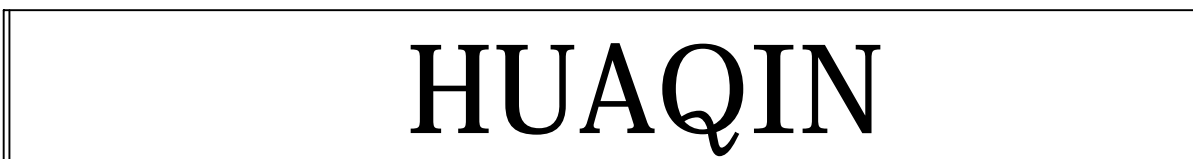
MSDC0 : Reserved
 MSDC1 : T-Card (Support SD3.0)
 MSDC2 : Reserved
 MSDC3 : MT6620



UART Download

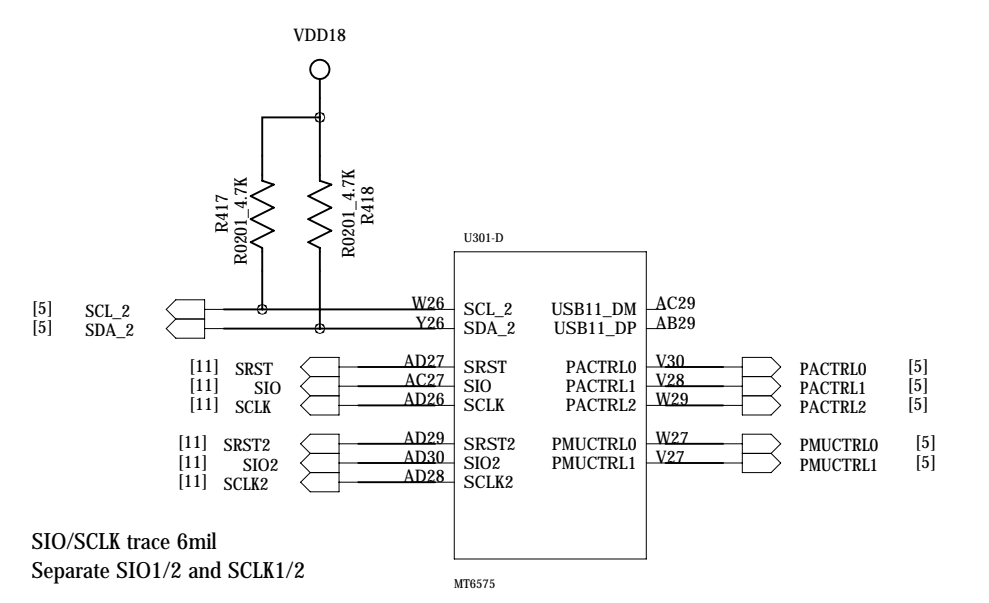
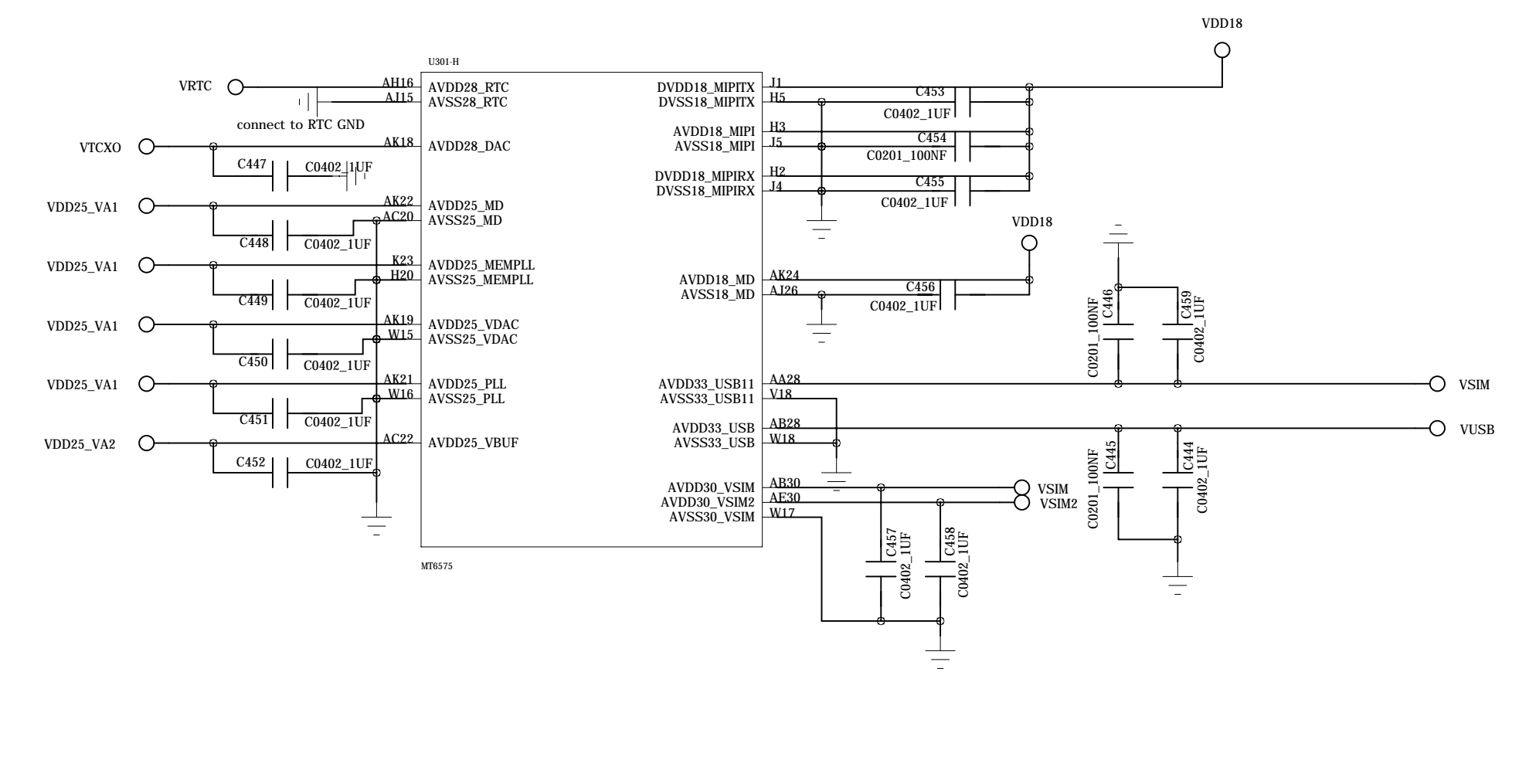
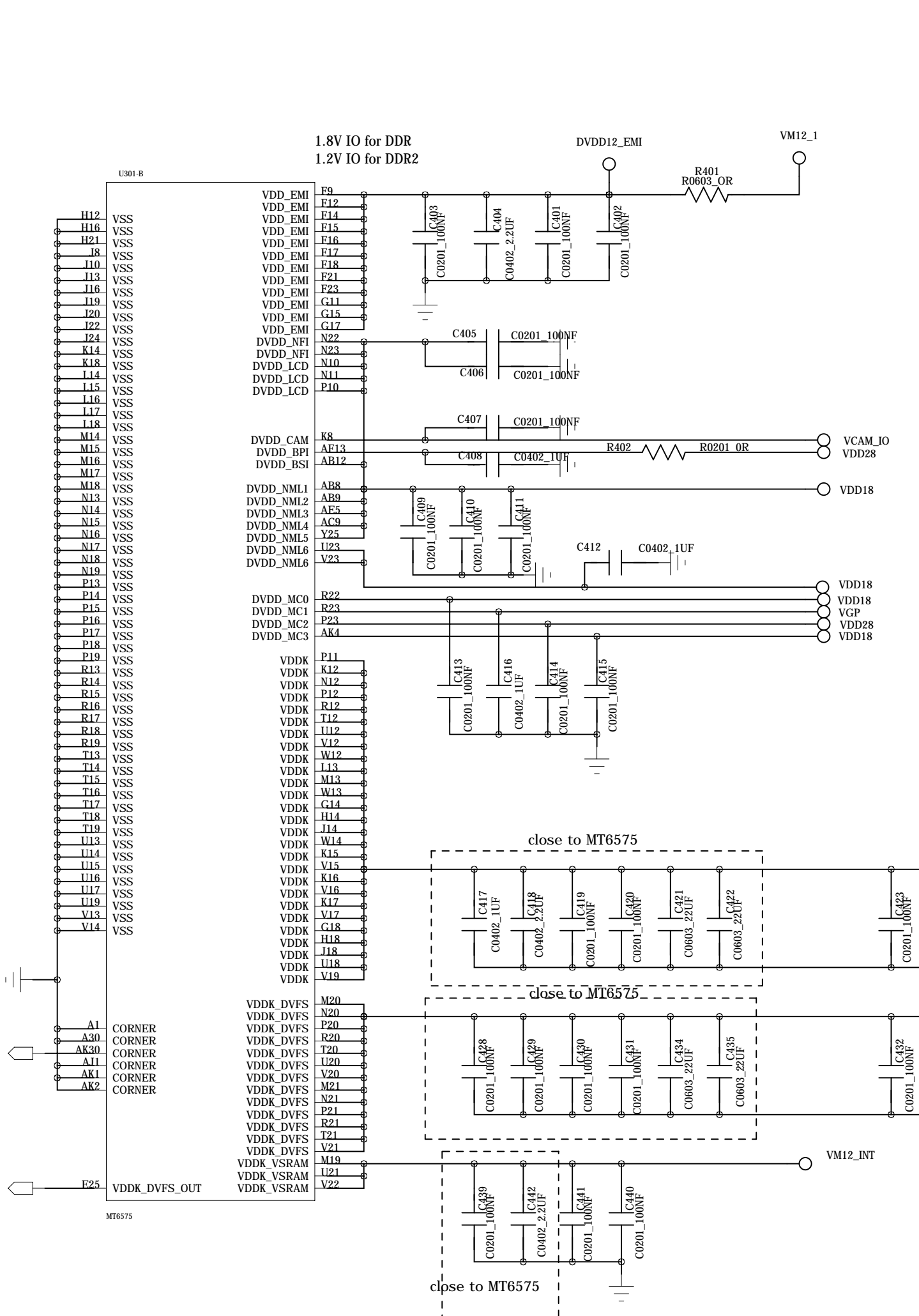


Need to turn off if I2C1 devices not operated

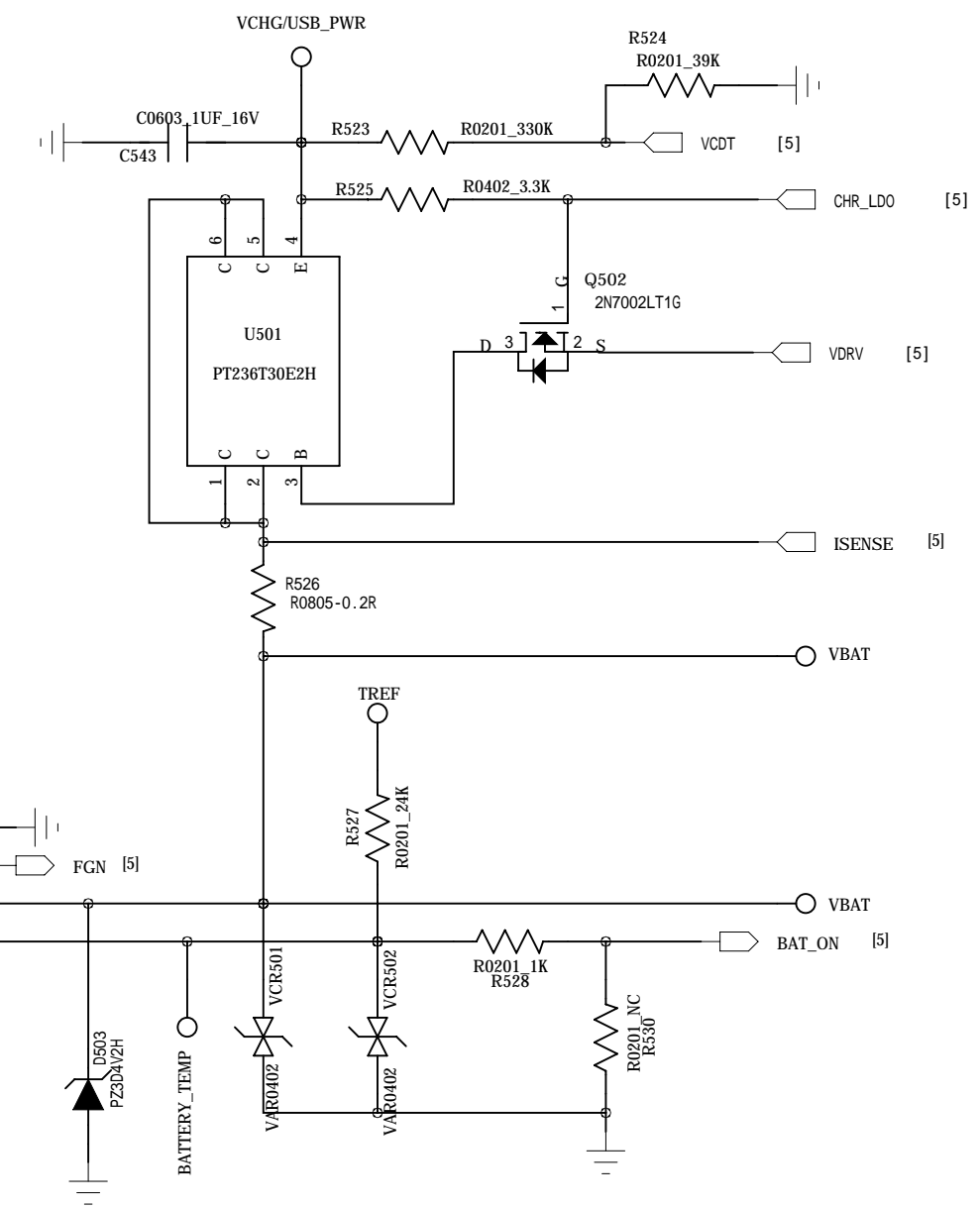
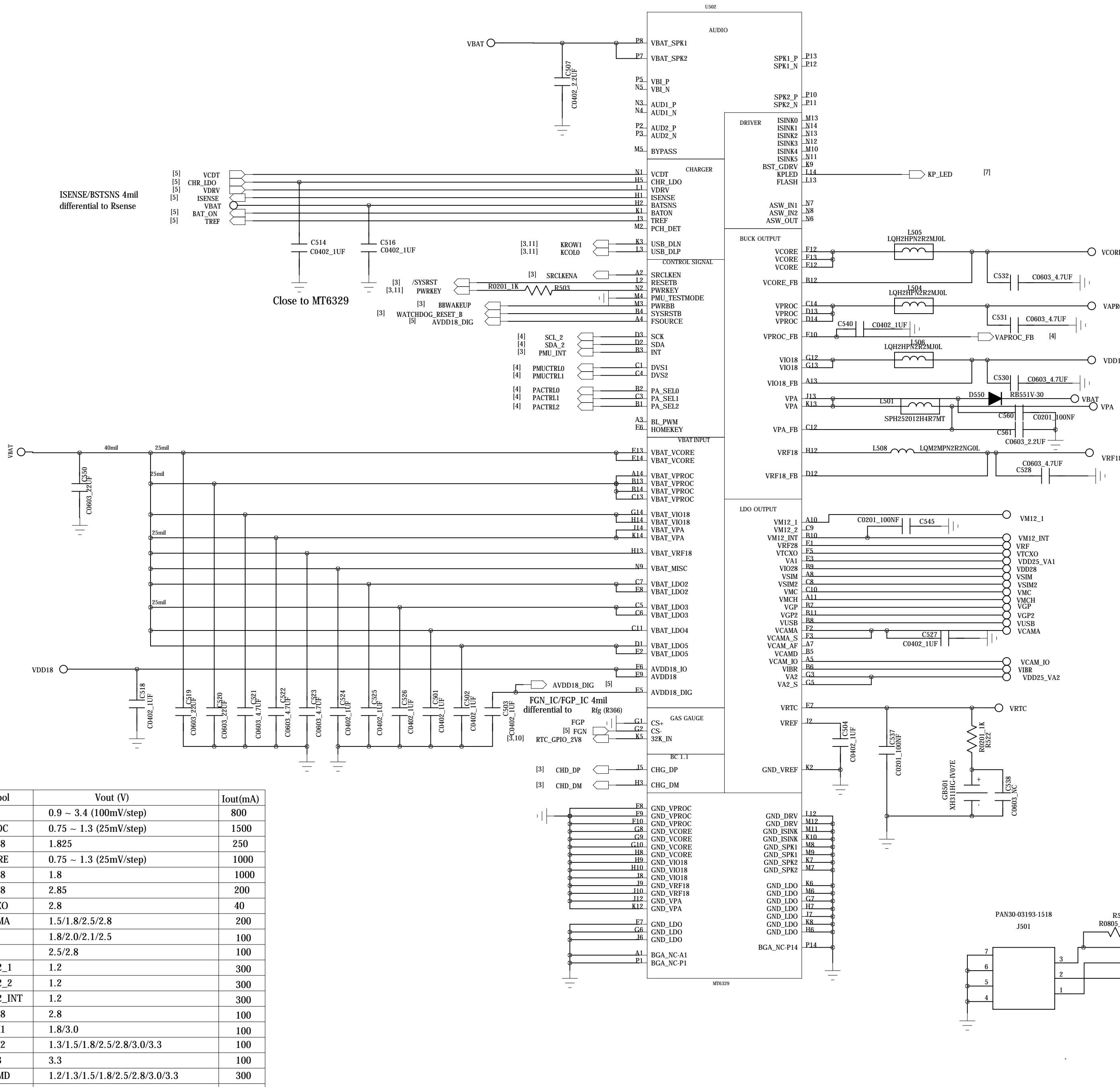


DRAWN:	DATED
CHECKED:	DATED

MODEL:	DRAWING NO.:
TITLE: BB_GPIO	VERSION:
	SHEET: 3/12



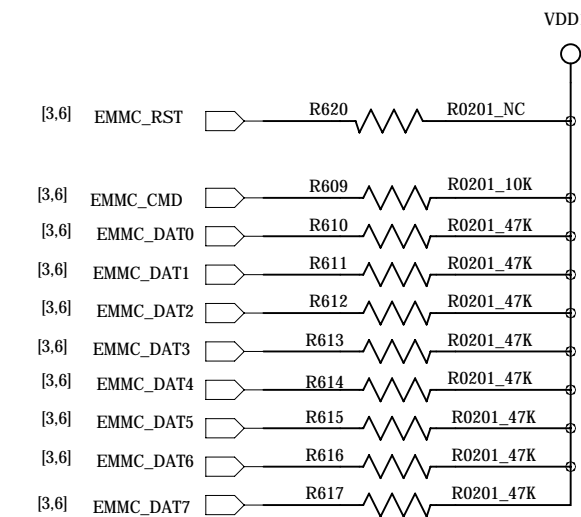
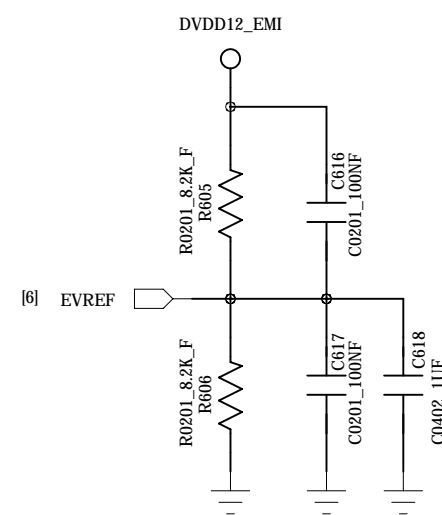
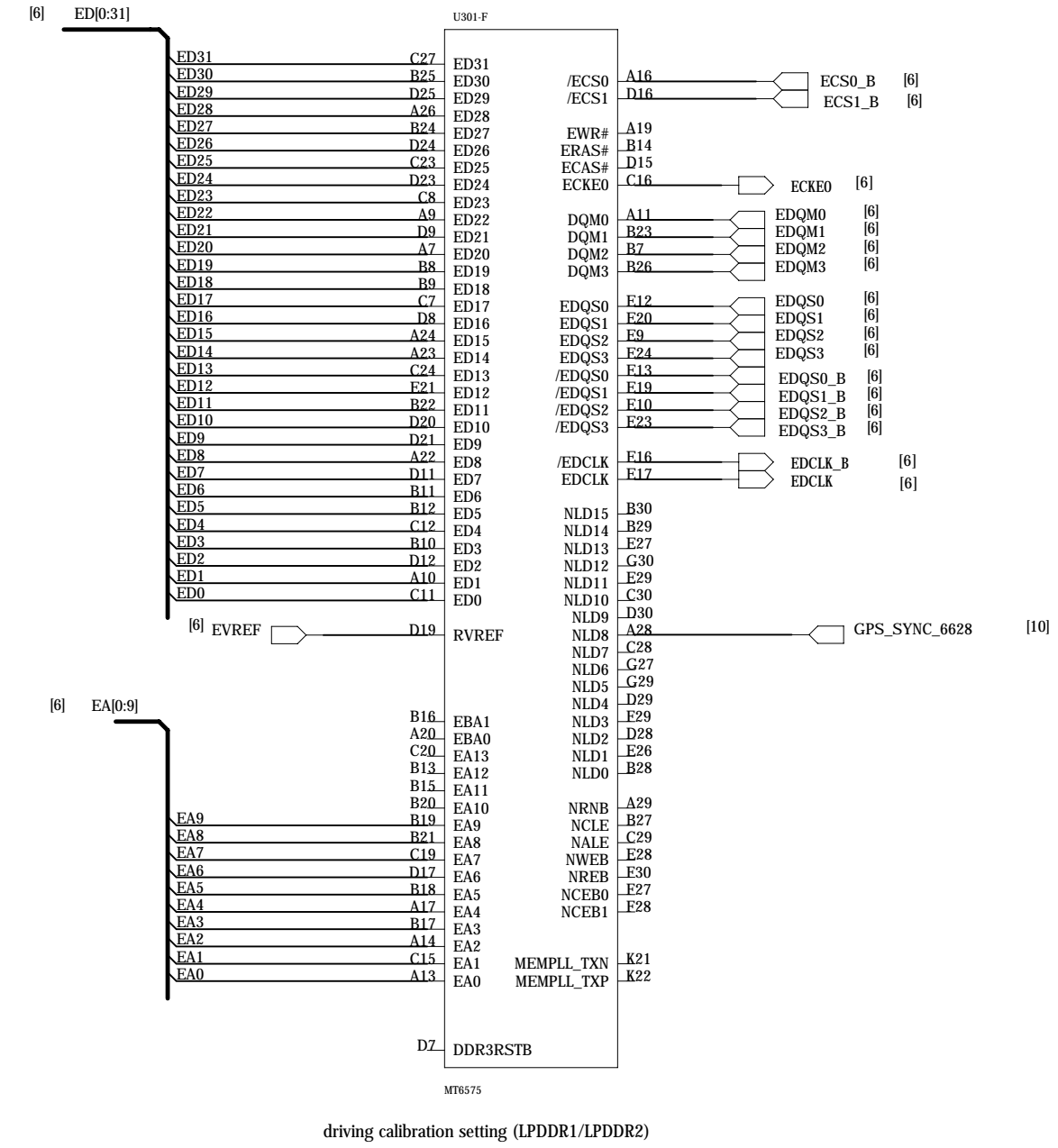
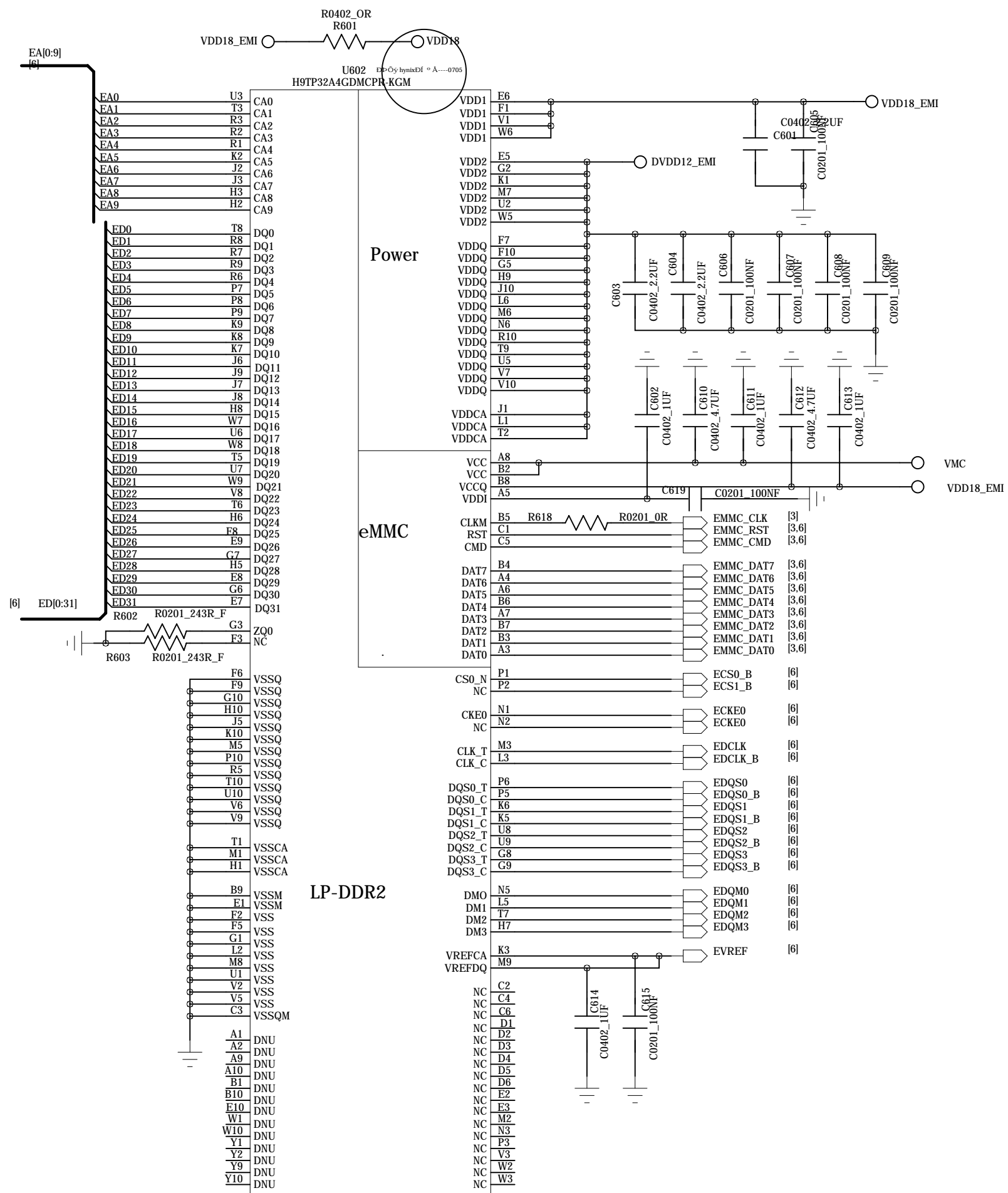
HUAQIN		MODEL:		DRAWING NO.:	
DRAWN:		DATED		TITLE: BB_PWR	
CHECKED		DATED		VERSION:	SHEET: 4/12



	Symbol	Vout (V)	Iout(mA)
Buck	VPA	0.9 ~ 3.4 (100mV/step)	800
	VPROC	0.75 ~ 1.3 (25mV/step)	1500
	VRF18	1.825	250
	VCORE	0.75 ~ 1.3 (25mV/step)	1000
	VIO18	1.8	1000
Analog LDO	VRF28	2.85	200
	VTCXO	2.8	40
	VCAMA	1.5/1.8/2.5/2.8	200
Digital LDO	VA1	1.8/2.0/2.1/2.5	100
	VA2	2.5/2.8	100
	VM12_1	1.2	300
	VM12_2	1.2	300
	VM12_INT	1.2	300
	VIO28	2.8	100
	VSIM1	1.8/3.0	100
	VSIM2	1.3/1.5/1.8/2.5/2.8/3.0/3.3	100
	VUSB	3.3	100
	VCAMD	1.2/1.3/1.5/1.8/2.5/2.8/3.0/3.3	300
	VCAM_IO	1.3/1.5/1.8/2.5/2.8/3.0/3.3	100
	VCAM_AF	1.3/1.5/1.8/2.5/2.8/3.0/3.3	200
	VMC	1.3/1.5/1.8/2.5/2.8/3.0/3.3	200
	VMCH	1.3/1.5/1.8/2.5/2.8/3.0/3.3	400
	VGP	1.3/1.5/1.8/2.5/2.8/3.0/3.3	100
VGP2	1.3/1.5/1.8/2.5/2.8/3.0/3.3	100	
Vibrator	VIBR	1.3/1.5/1.8/2.5/2.8/3.0/3.3	200
RTC	VRTC	1.8/2.0/2.1/2.8	2

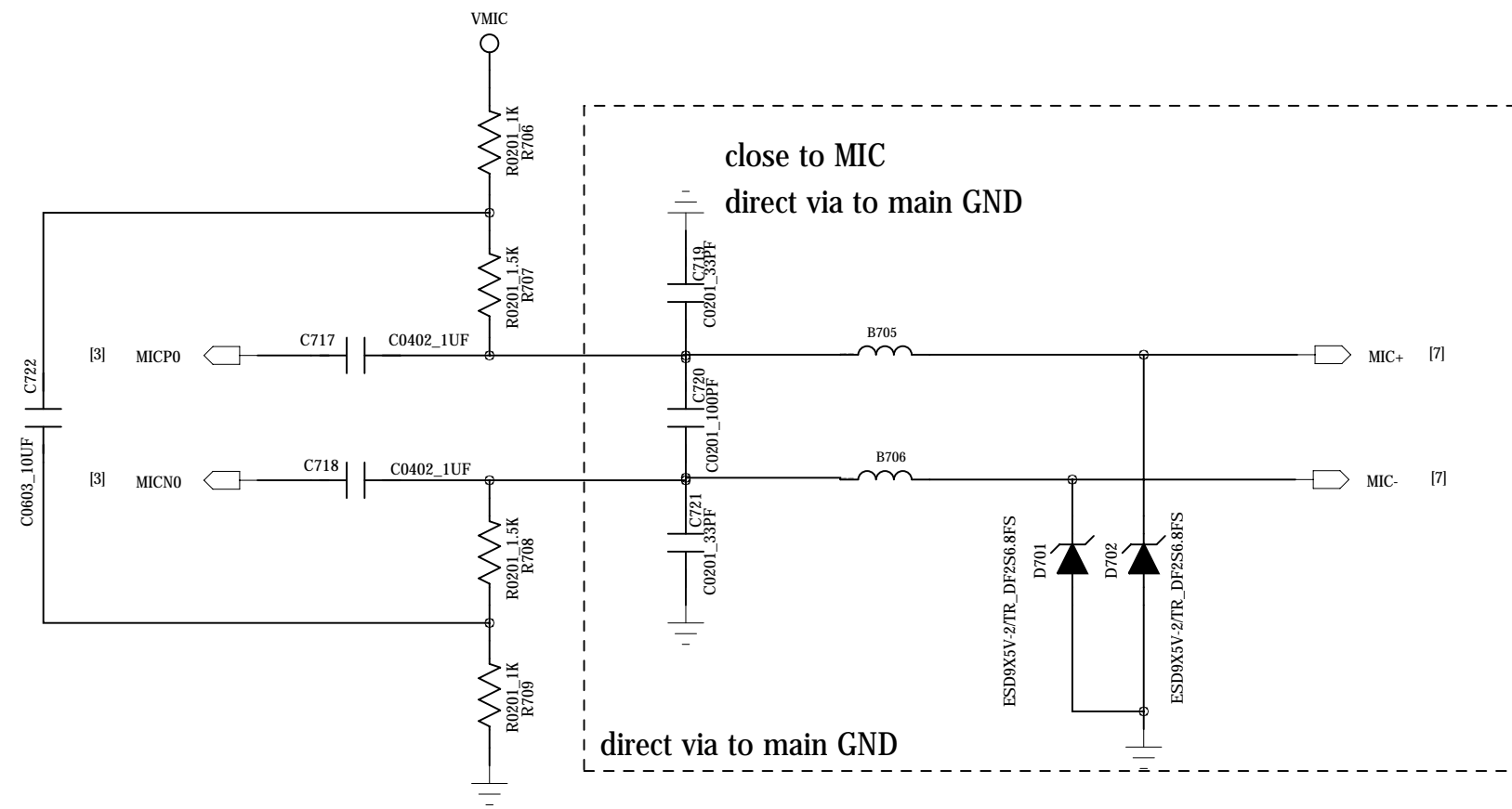
HUAQIN

DRAWN:	DATED	MODEL:	DRAWING NO.:
CHECKED	DATED	TITLE: Power	VERSION:
			SHEET: 5/12

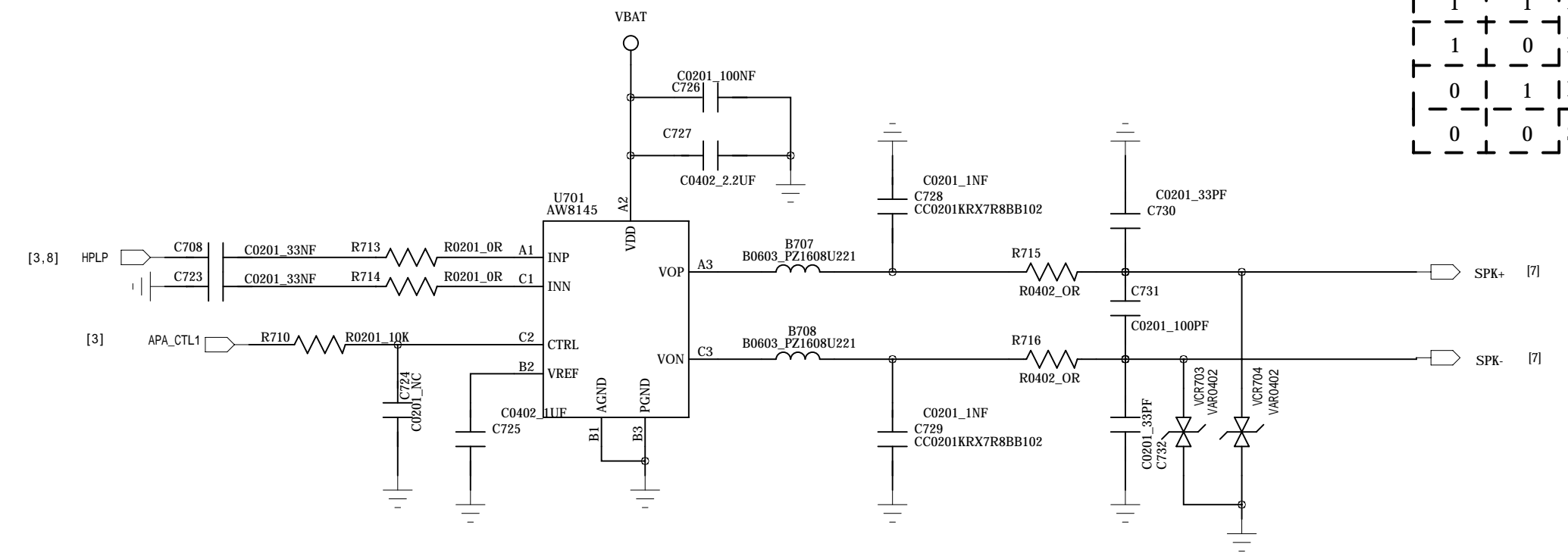


<h1>HUAQIN</h1>		MODEL:	DRAWING NO.:	
DRAWN:	DATED	TITLE:	VERSION:	SHEET: 6/12
CHECKED	DATED			

MIC --- main

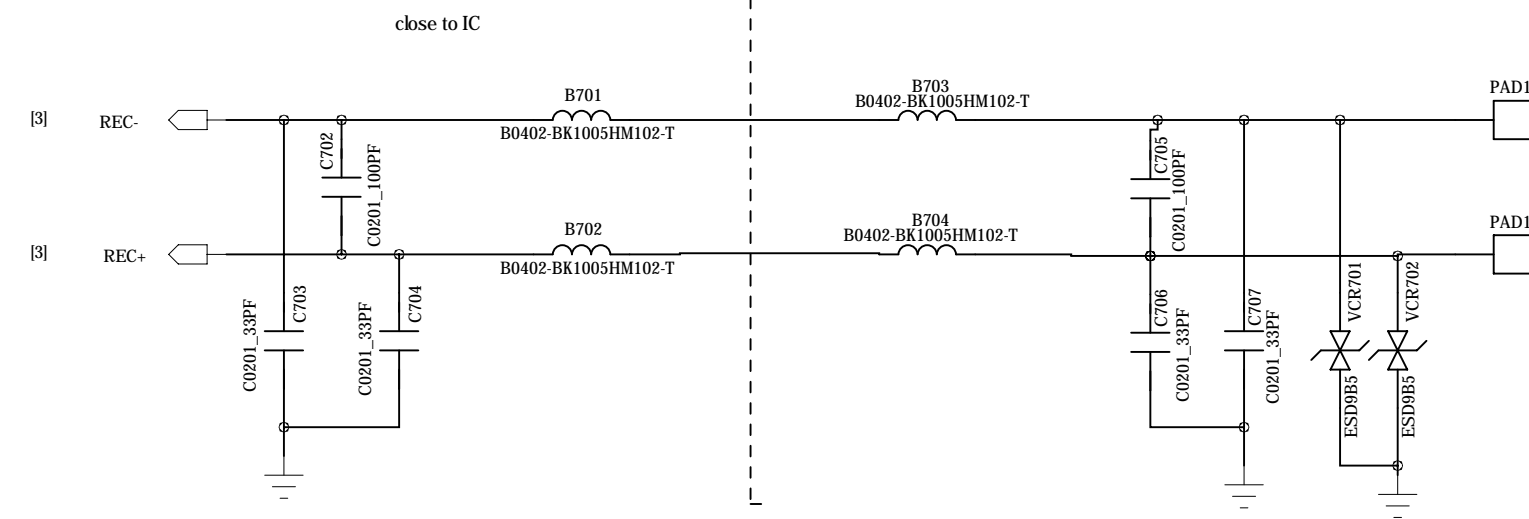


AUDIO PA

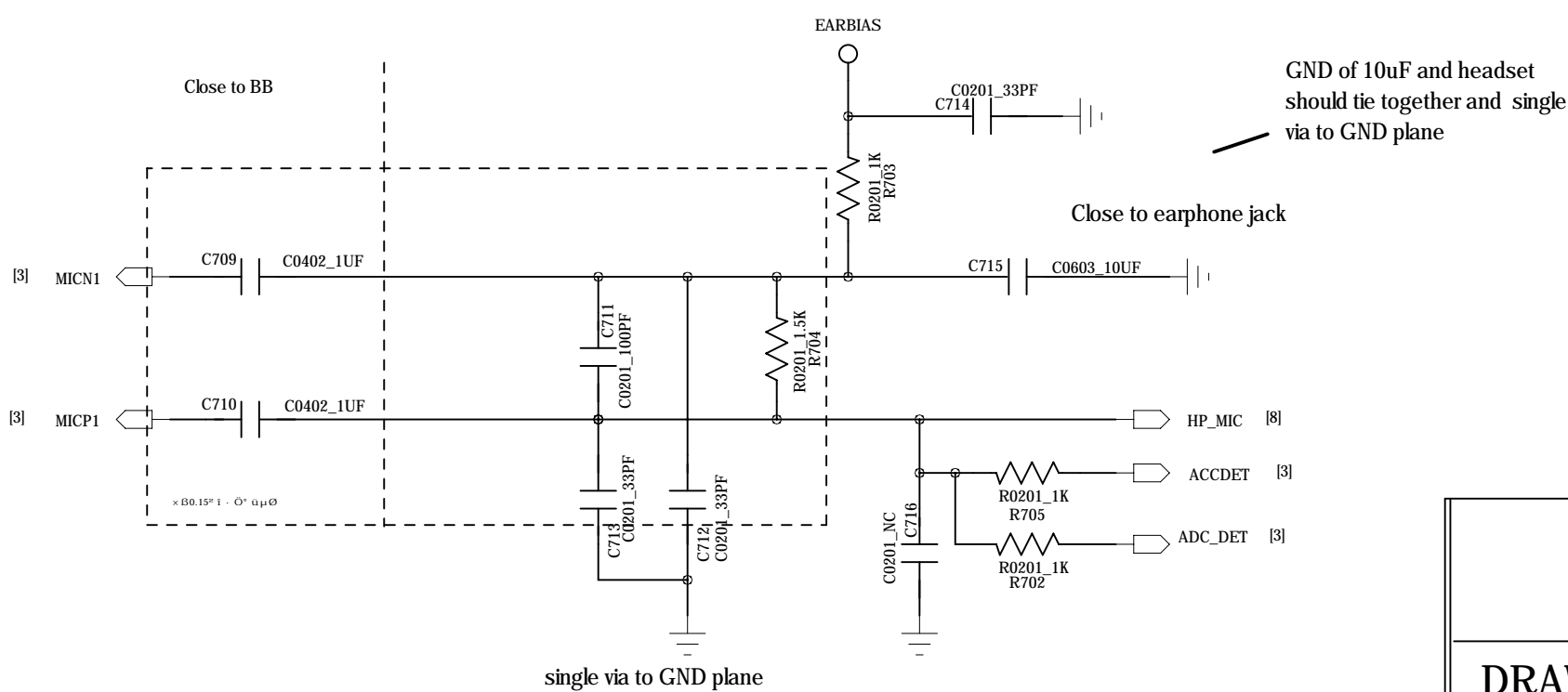


CTRL1	CTRL2	Mode
1	1	NCN1 (music)
1	0	NCN2 (voice)
0	1	NCNOFF
0	0	Shutdown

HANDSET RECEIVER



Earphone MICPHONE



HUAQIN

MODEL:

DRAWING NO.:

DRAWN:
CHECKED

heweitao

DATED 20120803
DATED

TITLE:

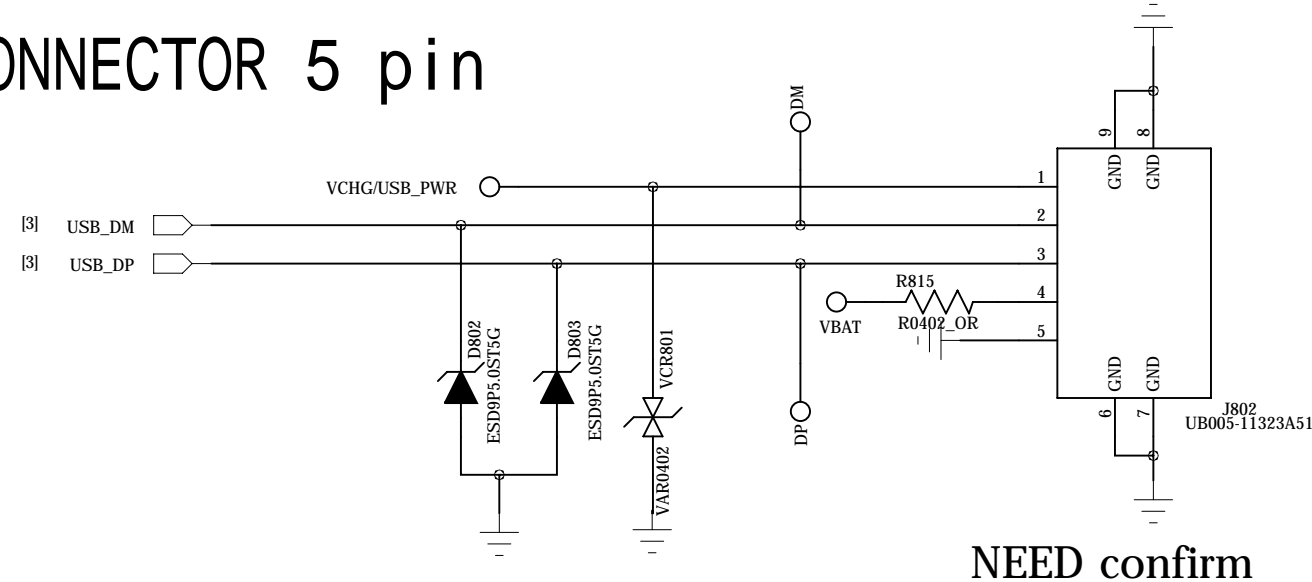
VERSION:

SHEET: 7/12

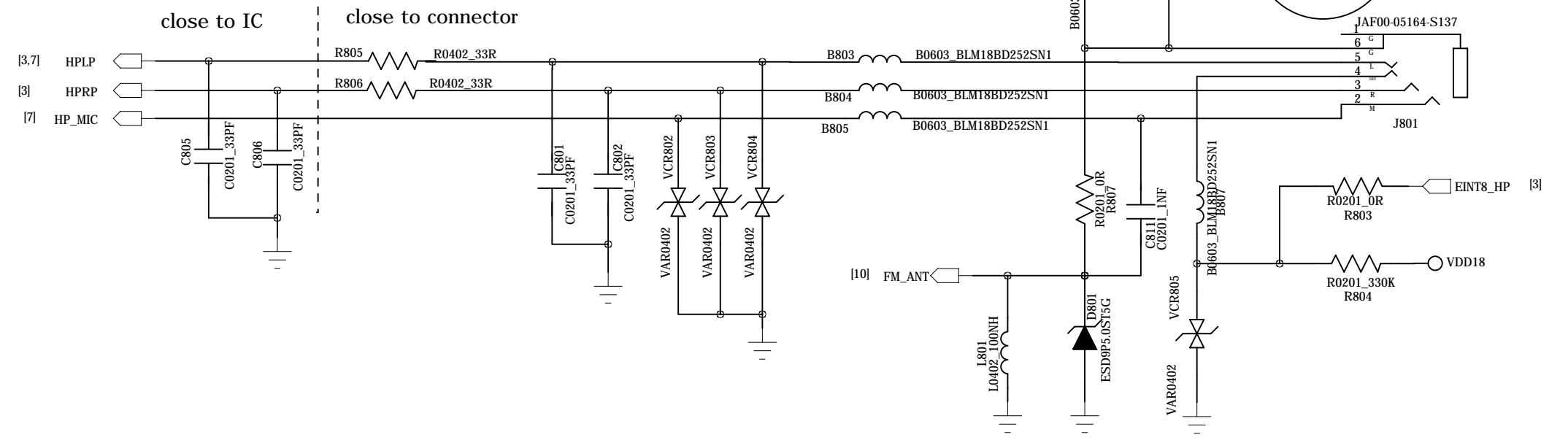


I/O CONNECTOR 5 pin

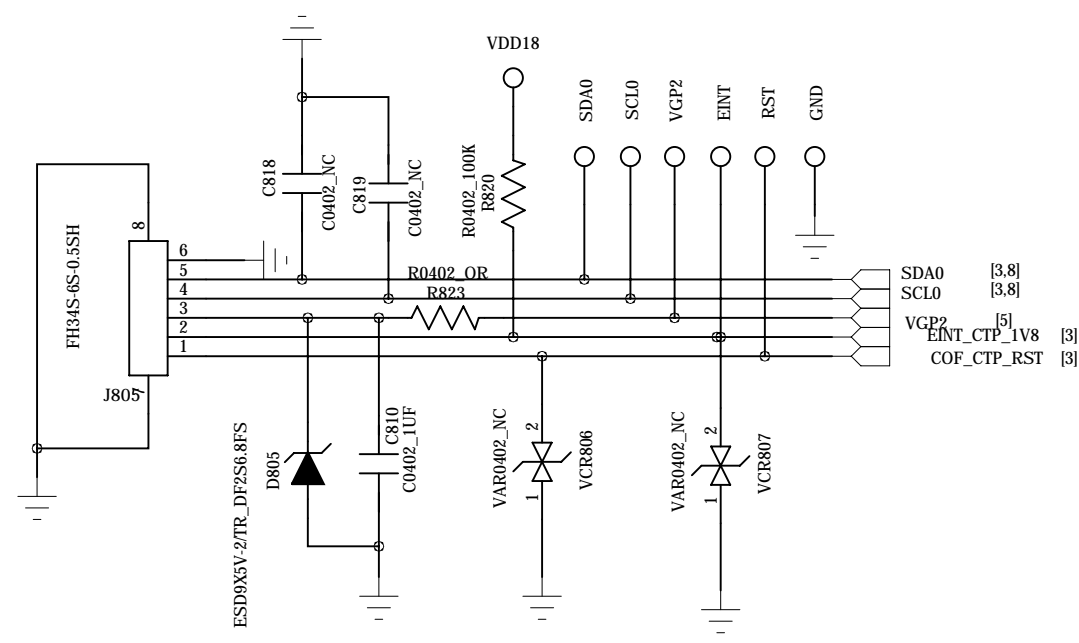
differential 90 A.Ä.



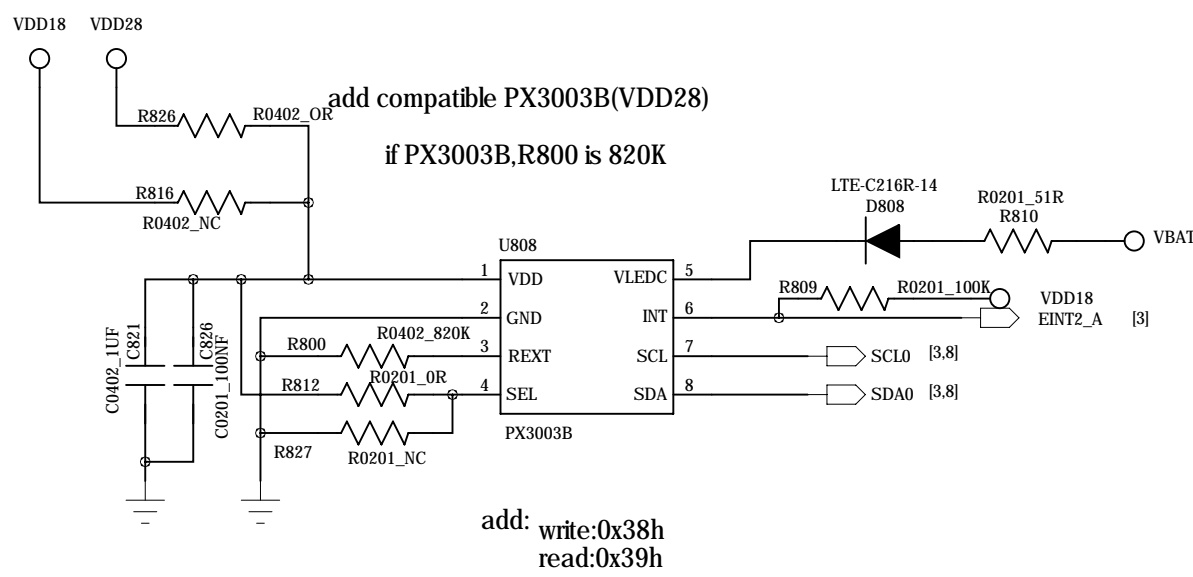
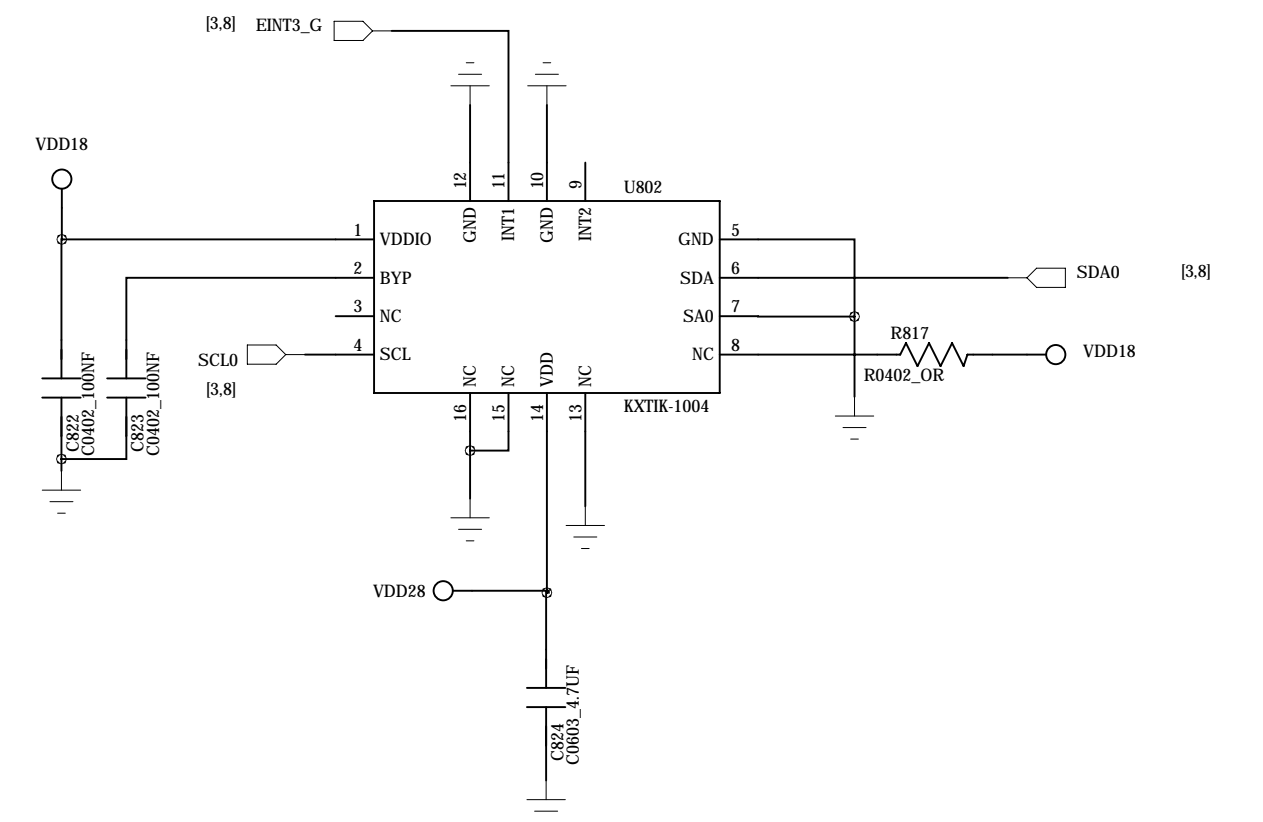
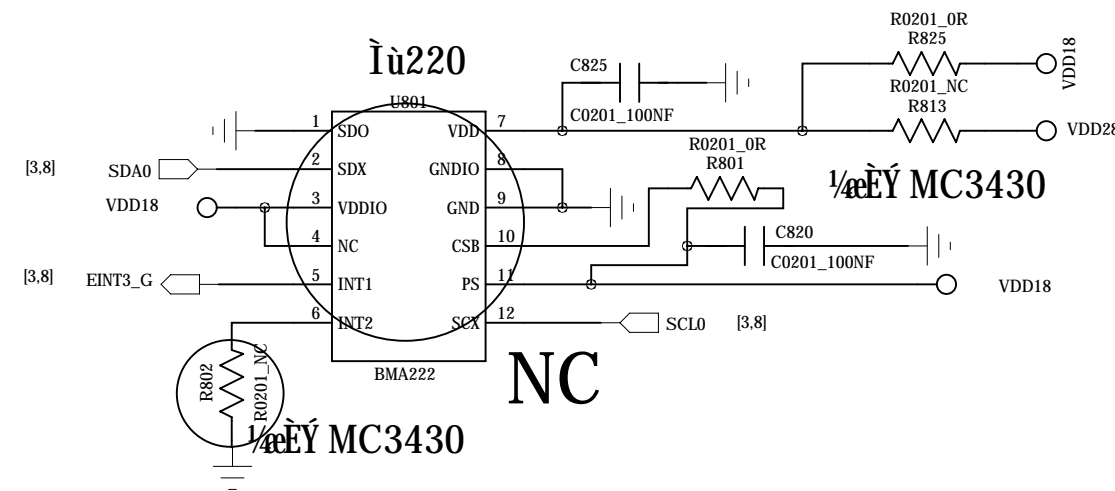
NEED confirm



CTP



G-sensor



add: write:0x38h
read:0x39h

HUAQIN

MODEL:

DRAWING NO.:

DRAWN
CHECKED

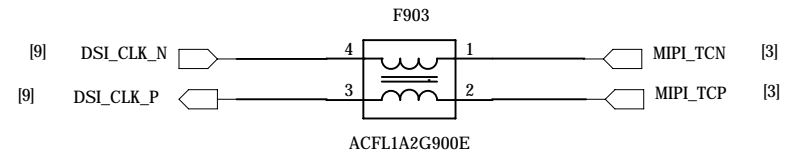
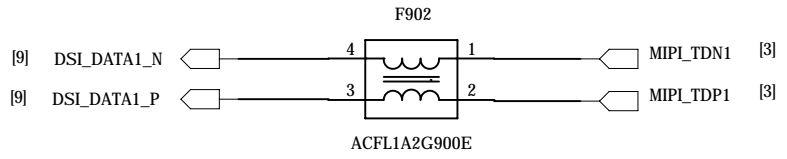
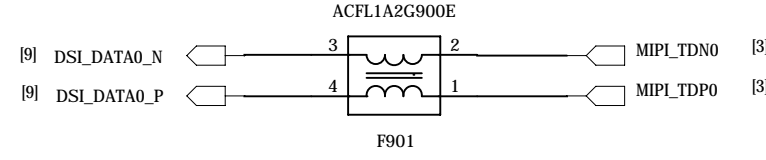
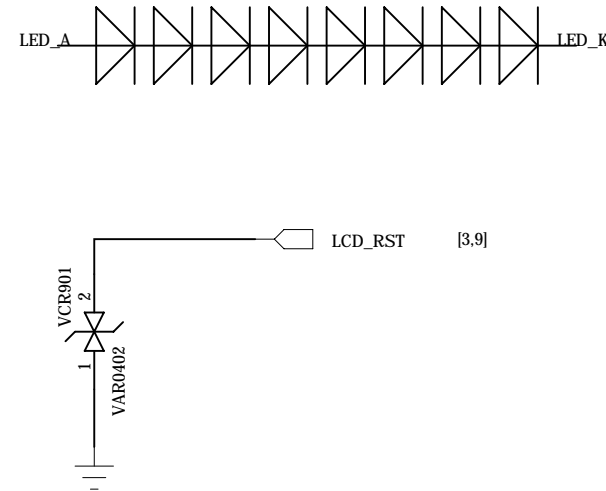
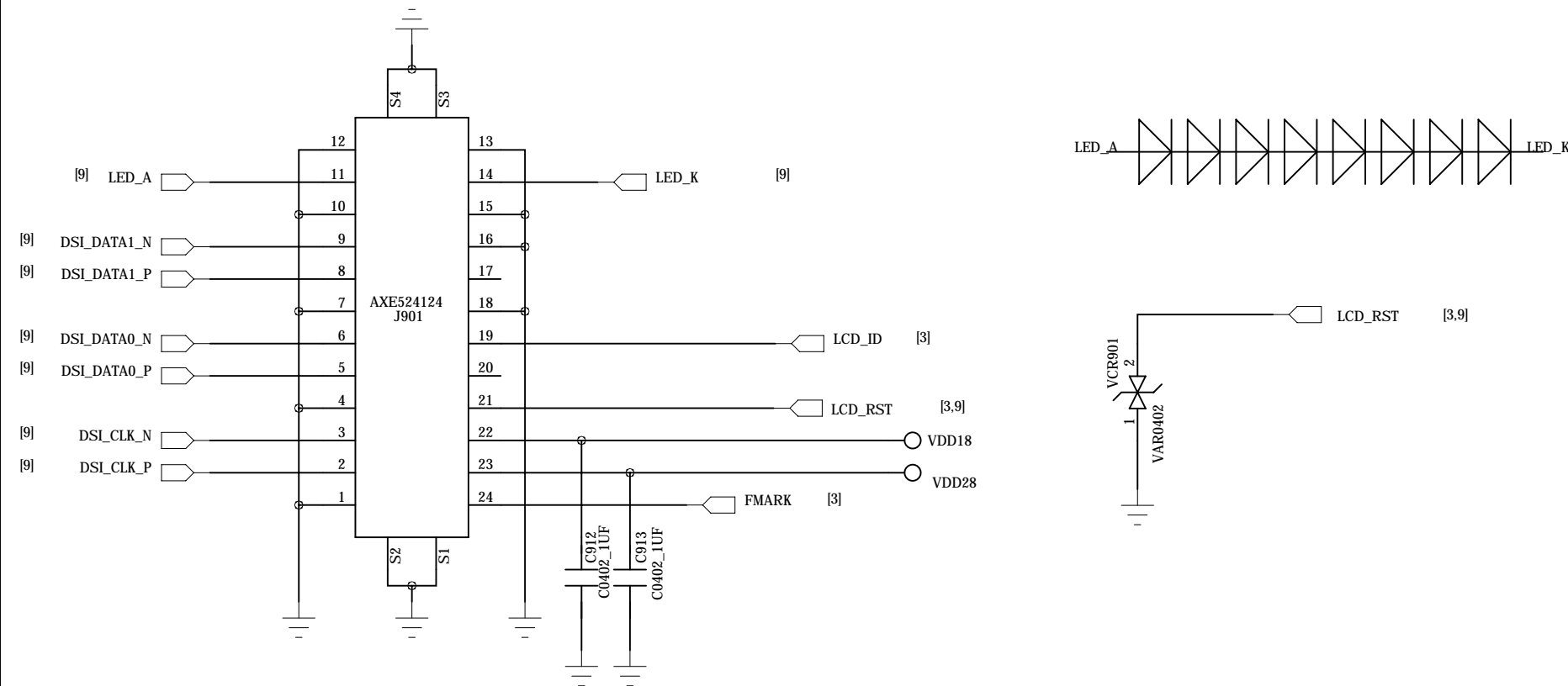
DATED
DATED

TITLE:

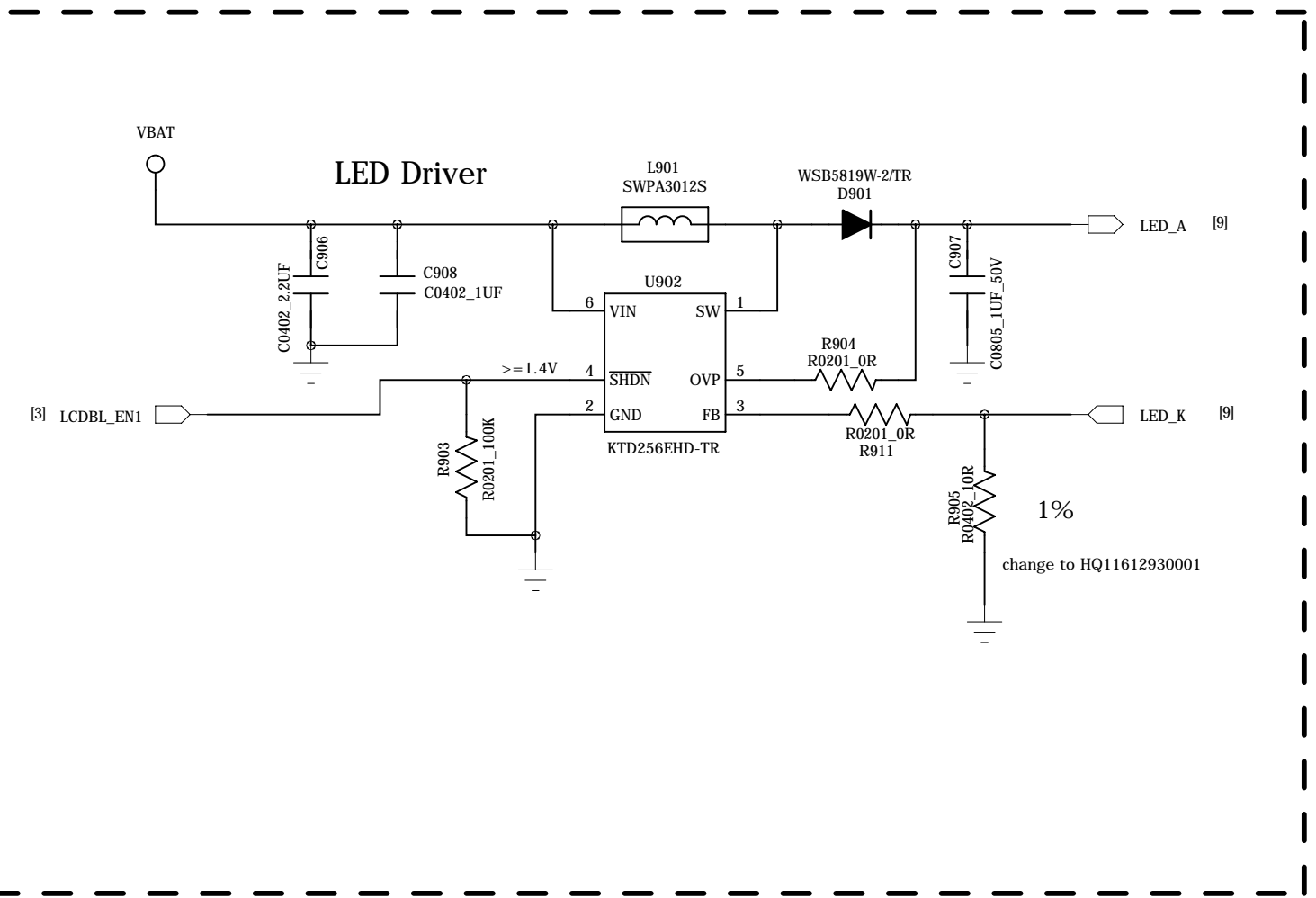
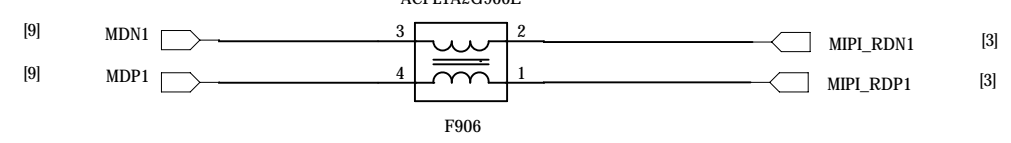
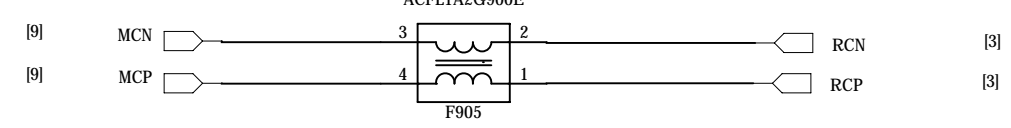
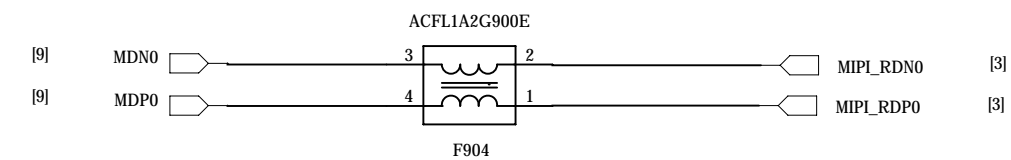
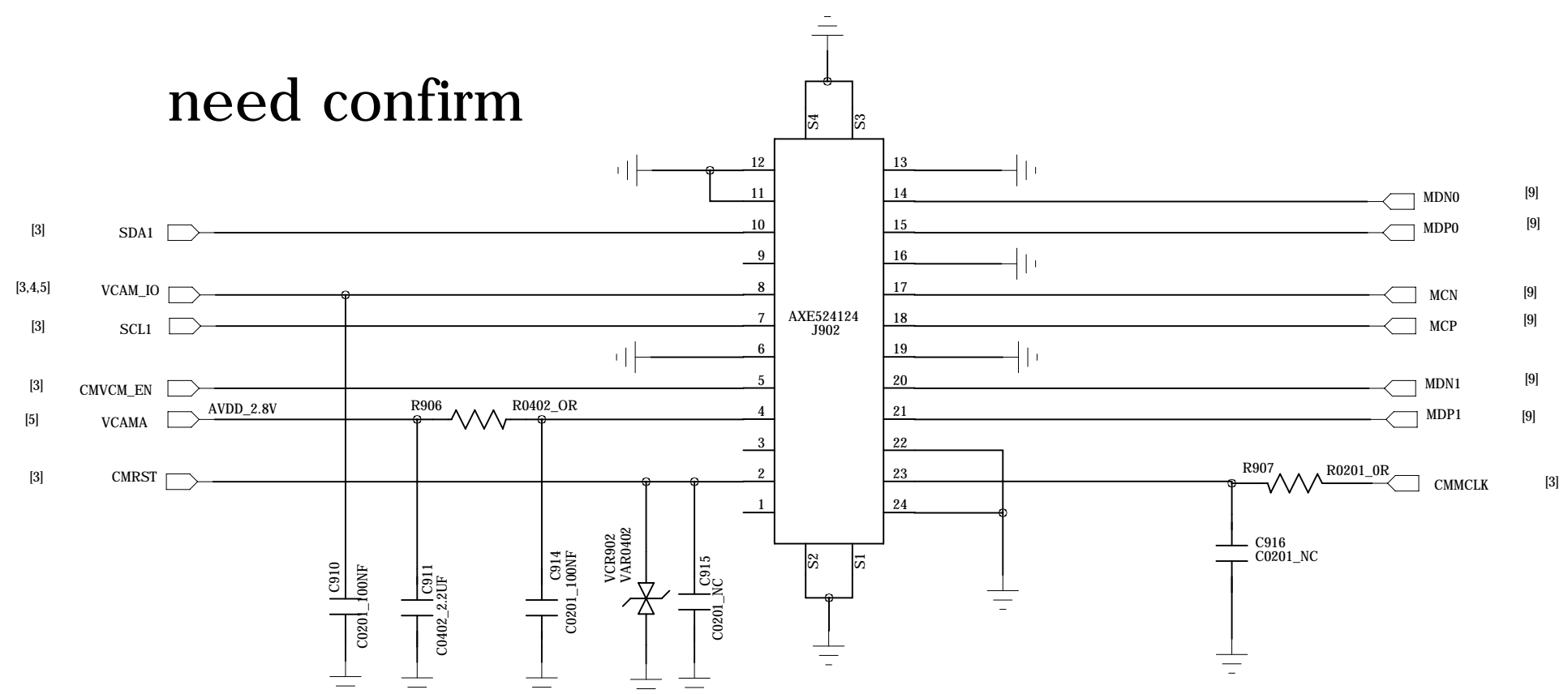
VERSION:

SHEET: 8/12

CAMERA INTERFACE

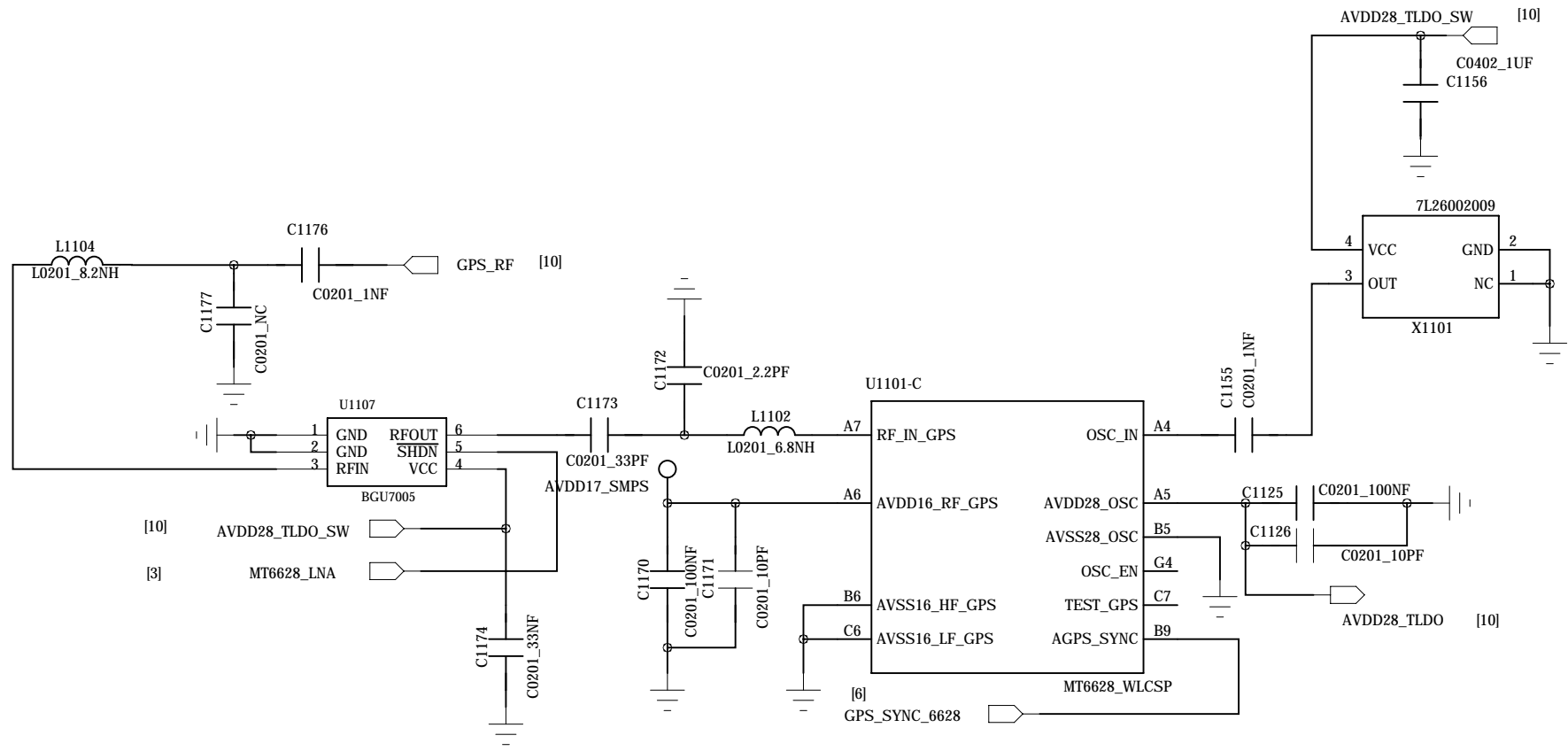
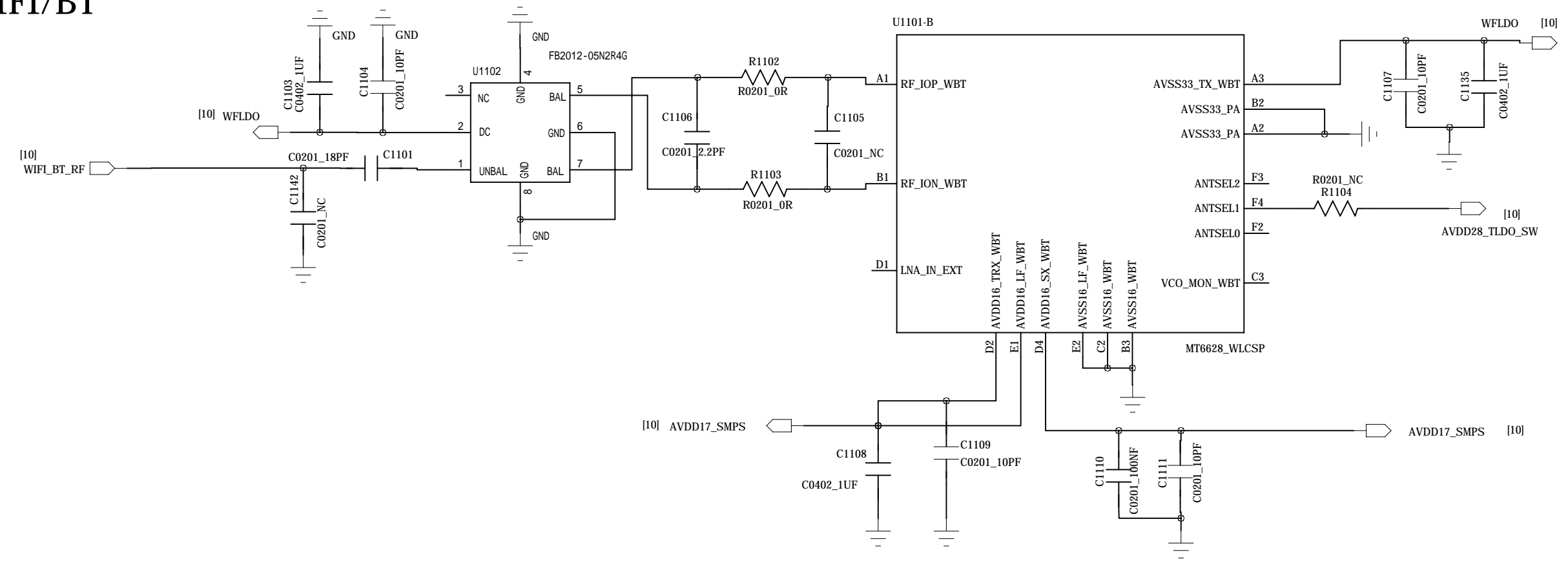


need confirm



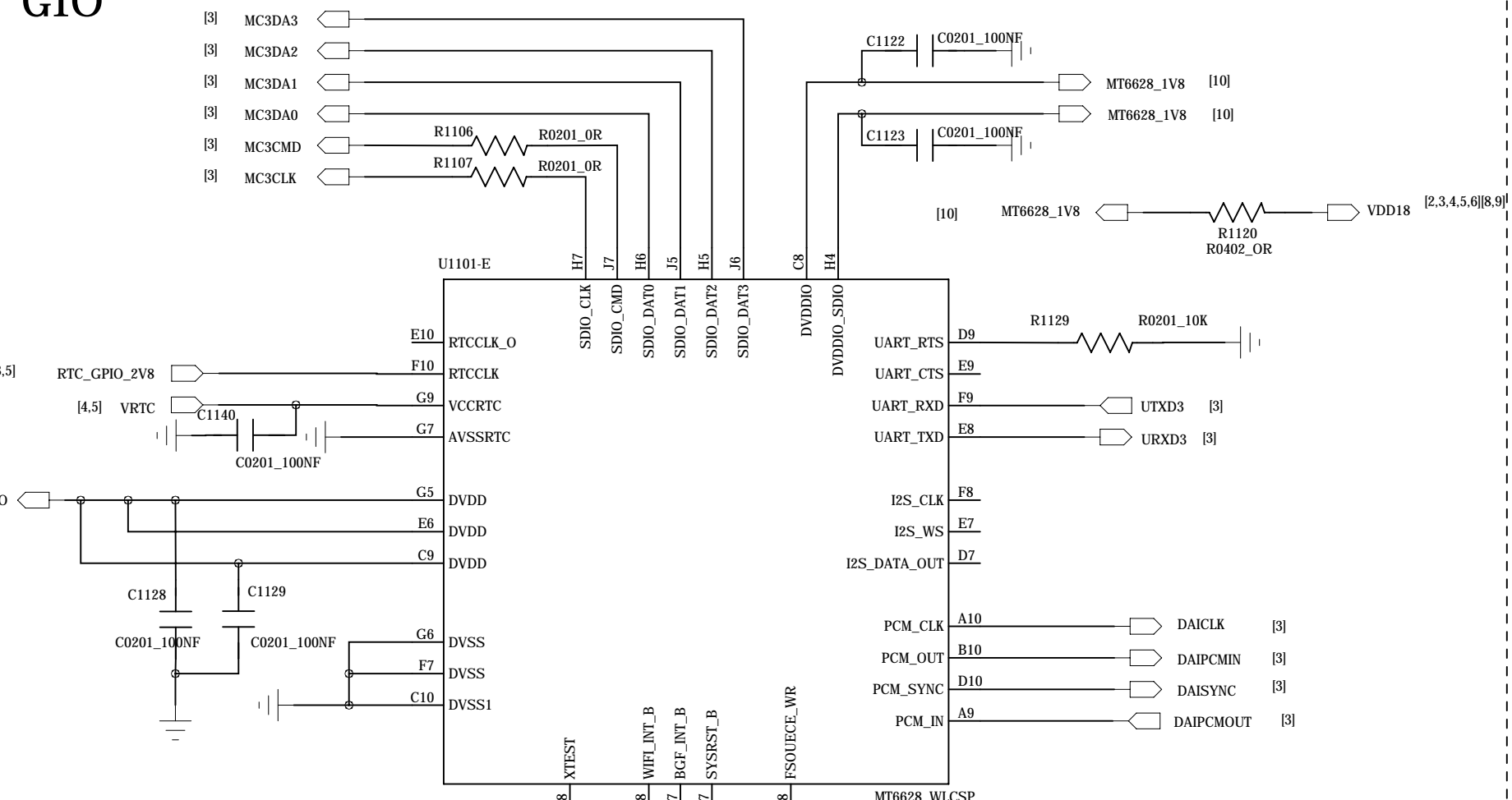
<h1>HUAQIN</h1>		MODEL:	DRAWING NO.:	
DRAWN:		DATED		
CHECKED		DATED		
		TITLE:	VERSION:	SHEET: 9/12

WIFI/BT

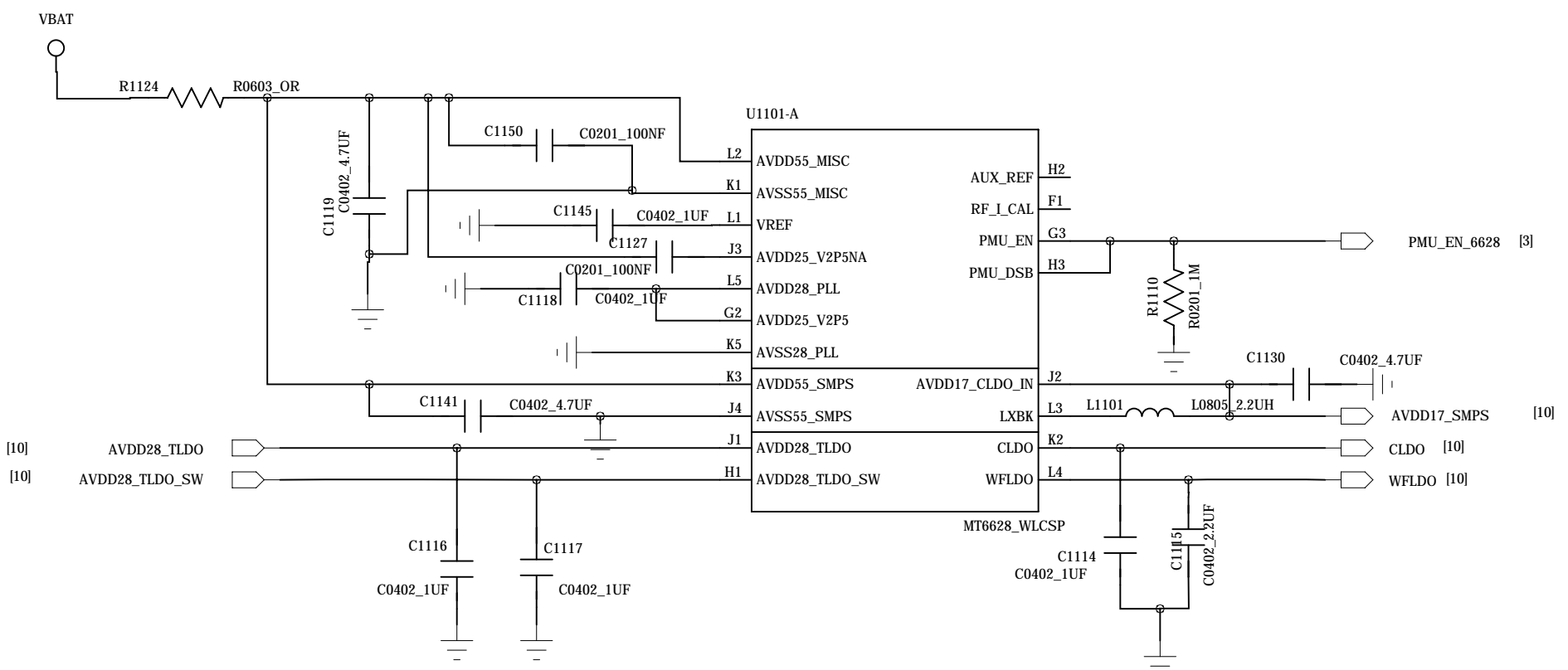


GIO

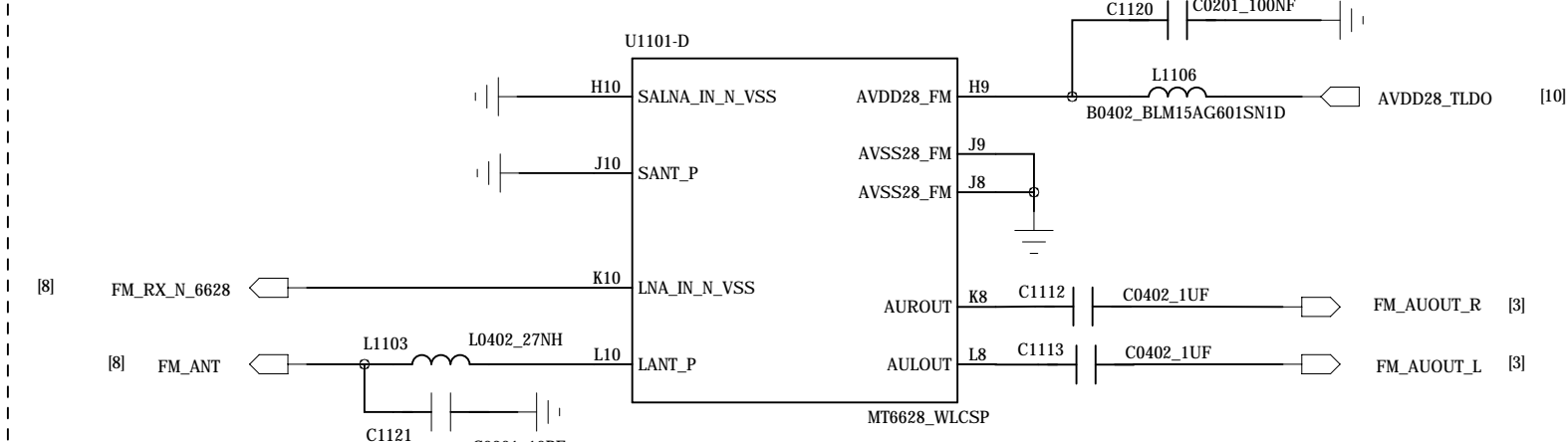
If DVDDIO_SDIO=1.8V, please change SDIO driving level from level_0 to level_4 by SW



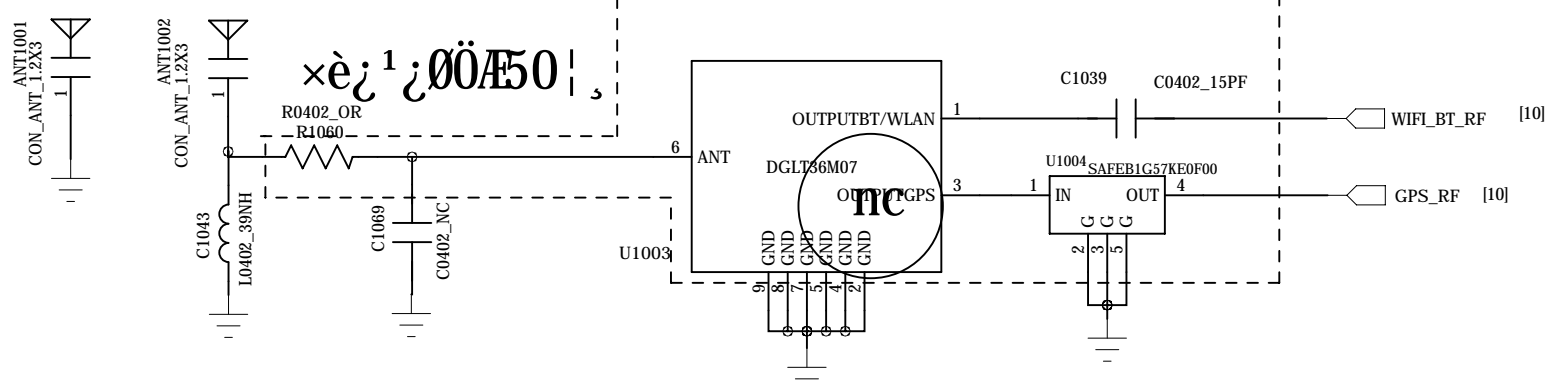
Power



FM



ANT



Clock Setting		XTEST	EEDI	ANTSEL_3	
	2.8V TCXO or OSC	0	0	0	Default
	1.8V TCXO or OSC	0	1	0	
	external clock mode	0	0	1	

WIFI host Interface		XTEST	ANTSEL_2	ANTSEL_1	
	WIFI:SDIO1	0	0	0	Default
	WIFI:SDIO2	0	0	1	
	WIFI:SPI	0	1	0	
WIFI:reserved	0	1	1		

BT/common host interface		XTEST	ANTSEL_0	
	UART1	0	0	Default
SDIO2	0	1		

HUAQIN

MODEL:

DRAWING NO.:

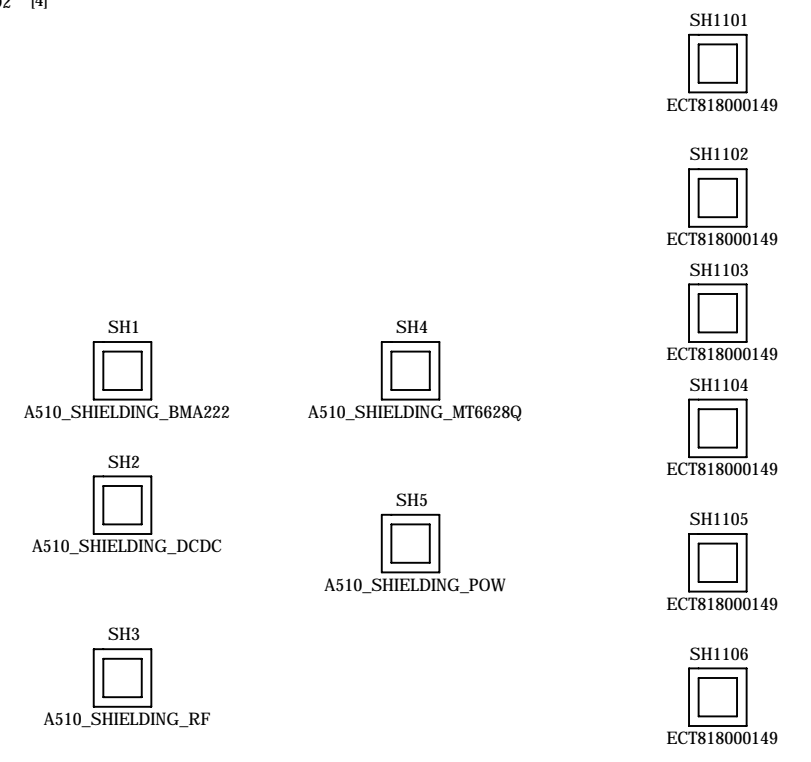
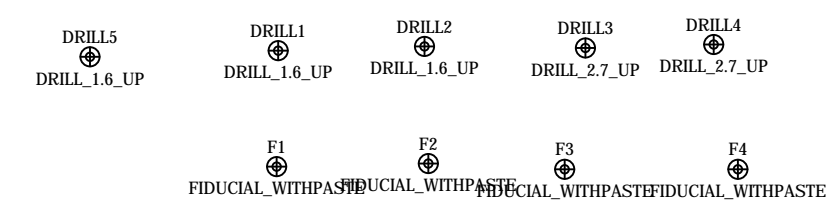
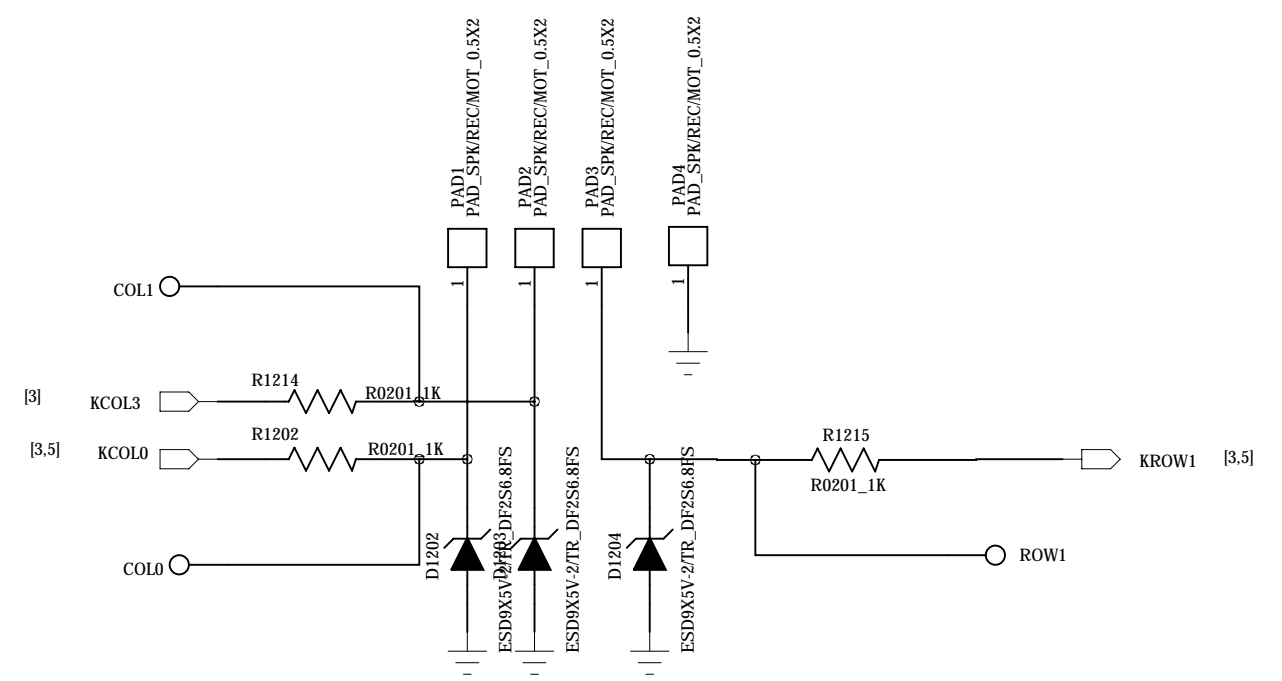
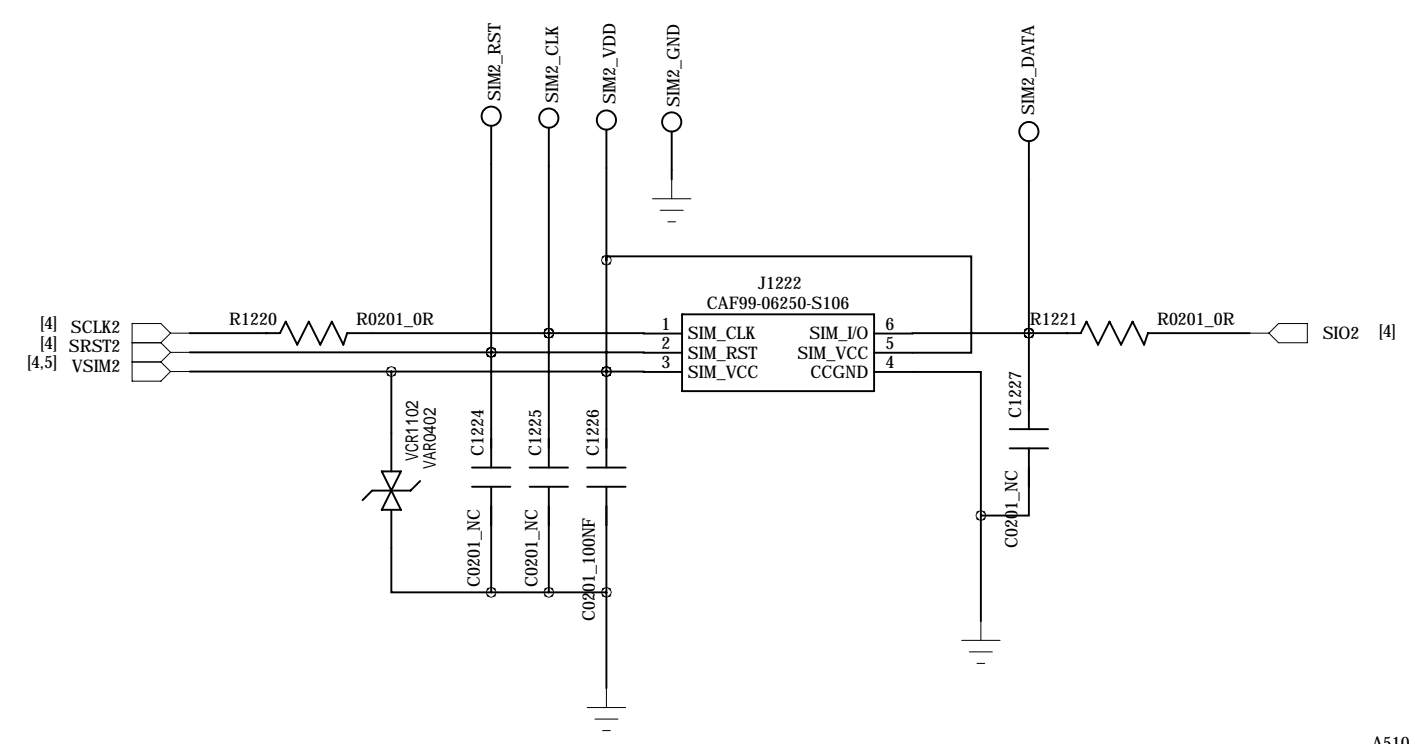
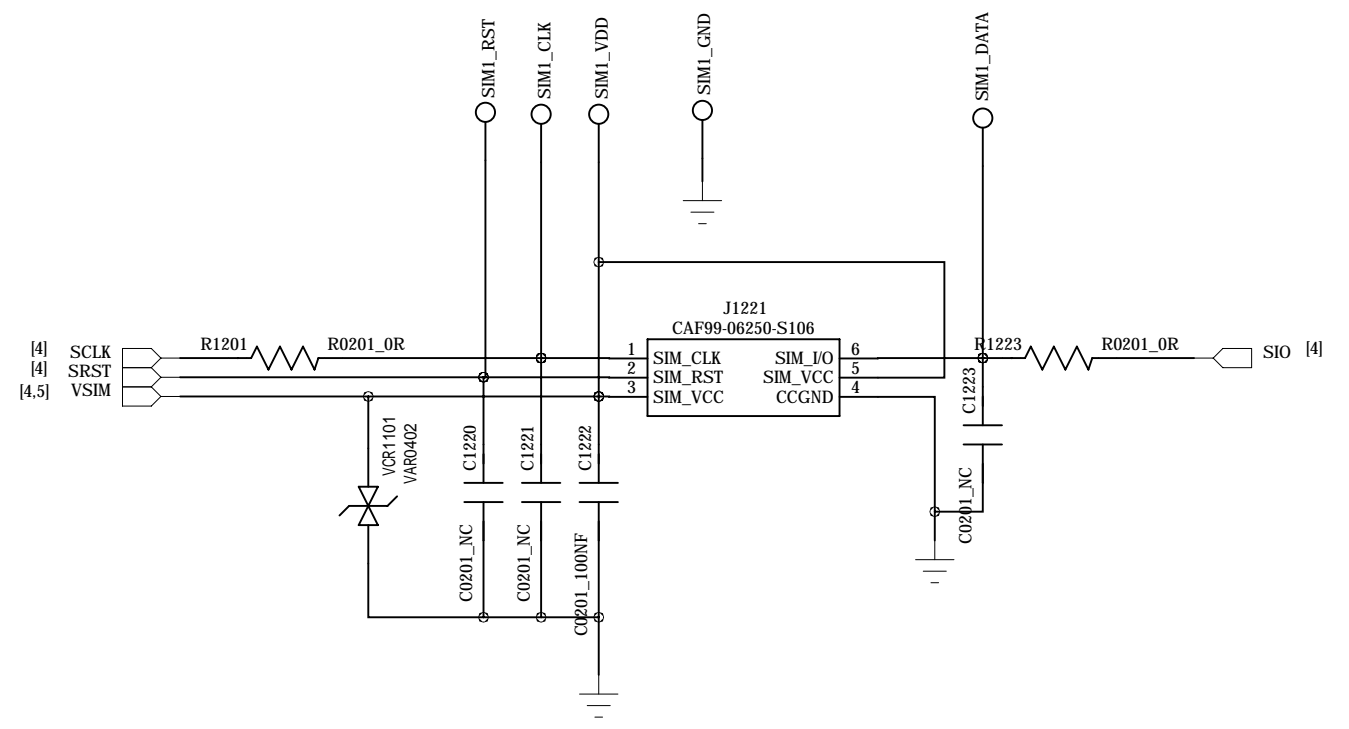
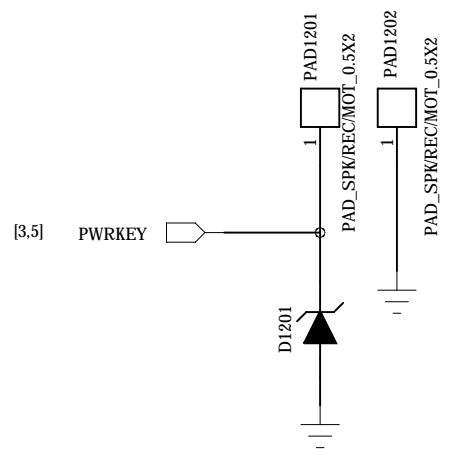
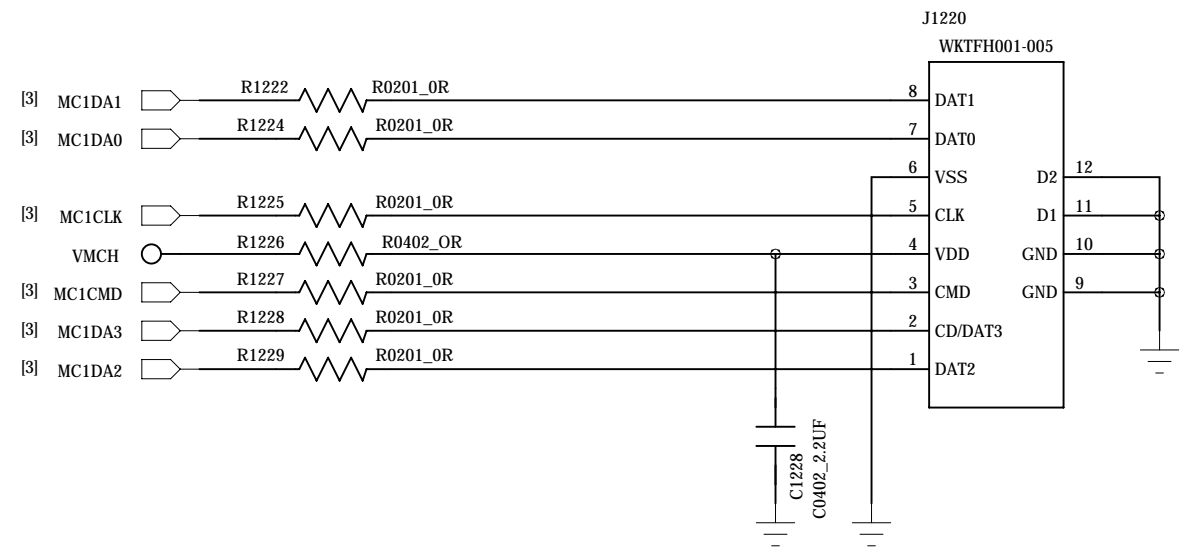
DRAWN:	yizhongyong	DATED	
CHECKED		DATED	

TITLE:	
--------	--

VERSION:		SHEET:	
----------	--	--------	--

DGLT36M07---> LTD-2520-1G5H6-A2

*** New Part ***



<h1>HUAQIN</h1>		MODEL:		DRAWING NO.:	
		TITLE:		VERSION:	
DRAWN	DATED	DRAWN	DATED	SHEET: 12/12	
CHECKED	DATED				