

IP/G

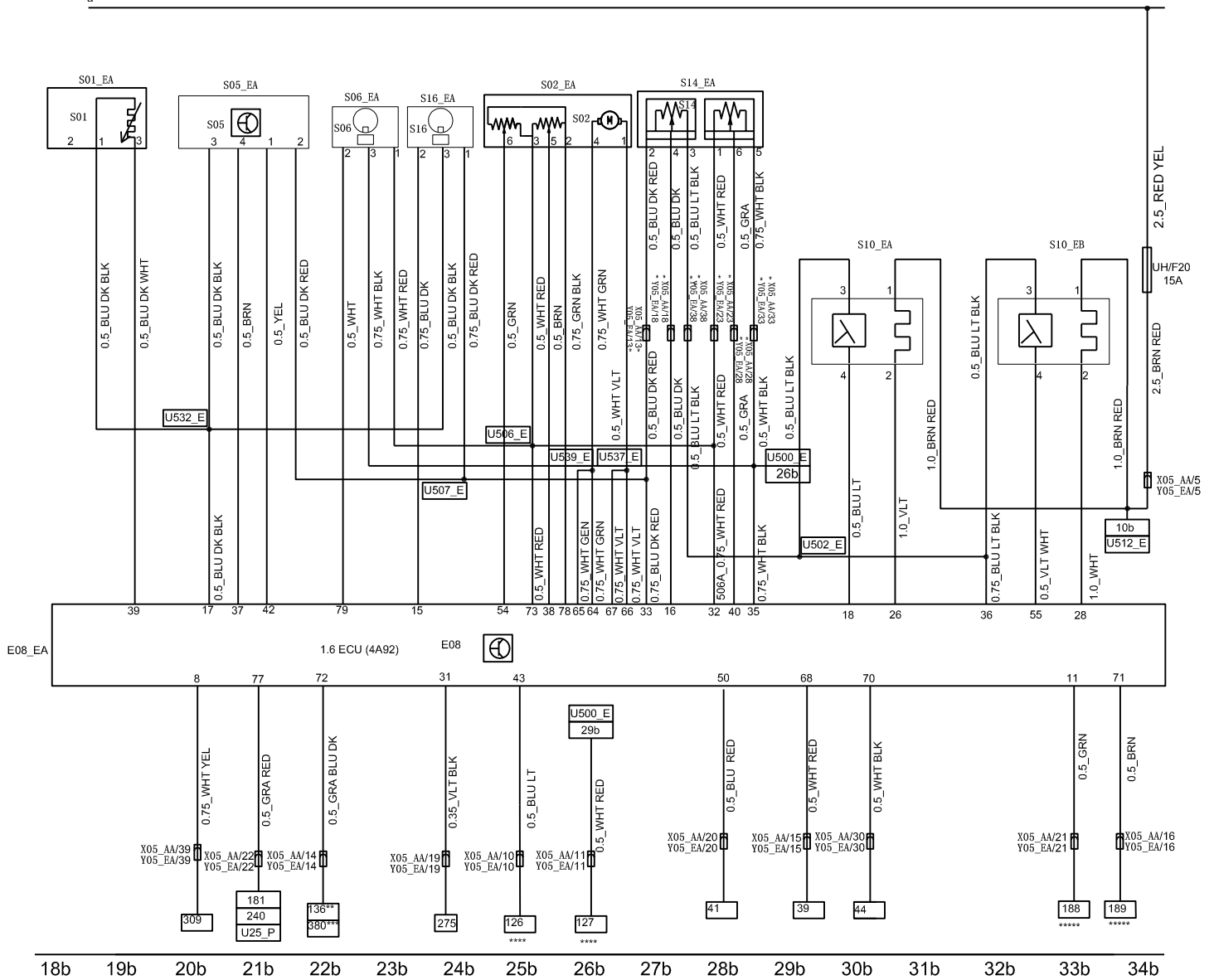
IP/D

IP/H

IP/F

UH/A

a



4A9 EFI unit circuit diagram 2

UH-engine compartment fuse box
 UH BAT-connection, engine compartment fuse box connecting to positive pole of battery
 IP-dash-board fuse box
 IP D-connection, dashboard fuse box terminal
 IP G-connection, dashboard fuse box terminal
 IP F-connection, dashboard fuse box terminal
 IP H-connection, dashboard fuse box terminal
 A-main relay power
 E08-engine ECU
 S01-water temperature sensor
 S10_EA-front oxygen sensor
 S10_EB-rear oxygen sensor
 S06-phase sensor
 S16-speed sensor
 S05-airflow sensor
 S02-throttle valve position sensor
 S14-electric accelerator pedal sensor

E08_EA-EFI ECU connector 81 holes black
 S01_EA-water temperature sensor connector 3 holes black
 S05_EA-airflow sensor connector 4 holes gray
 S02_EA-throttle valve sensor connector 6 holes black
 S16_EA-speed sensor connector 3 holes black
 S06_EA-phase sensor connector 3 holes black
 S14_EA-accelerator pedal connector 6 holes black
 X05_AA Y05_EA-EFI wiring harness and main wiring harness splicing connector 42 holes black
 S10_EA-front oxygen sensor connector 4 holes white
 S10_EB-rear oxygen sensor connector 4 holes white
 *For MT
 **For ESP
 ***For ABS
 ****For AT
 *****For non one-key start