

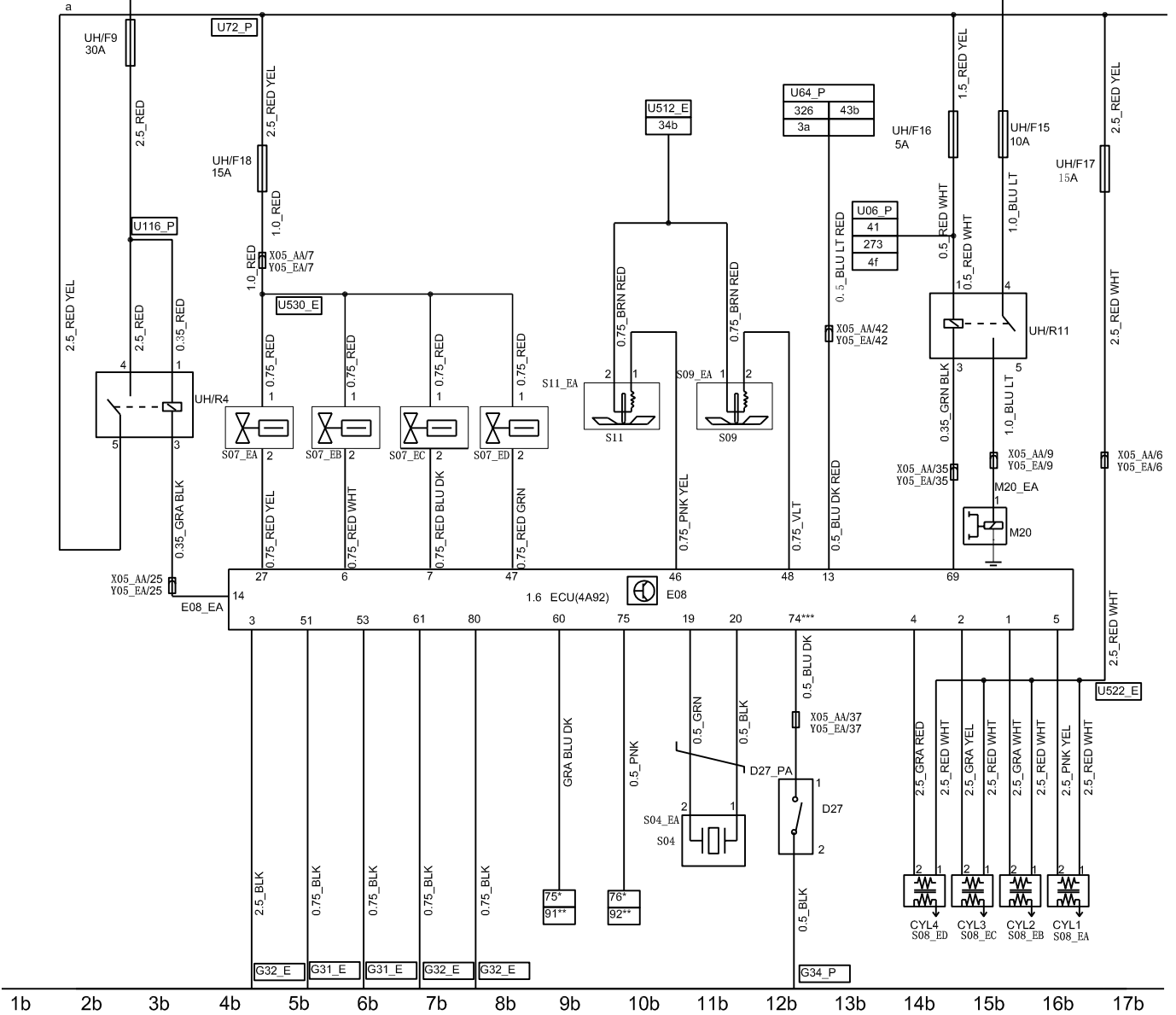
IP/G

IP/D

IP/H

IP/F

UH/A



4A9 EFI unit circuit diagram 1

- UH-engine compartment fuse box
- UH BAT-connection, engine compartment fuse box connecting to positive pole of battery
- IP-dash-board fuse box
- IP D-connection, dashboard fuse box terminal
- IP G-connection, dashboard fuse box terminal
- IP F-connection, dashboard fuse box terminal
- IP H-connection, dashboard fuse box terminal
- A-main relay power
- E08-engine ECU
- D27-clutch switch
- M20-A/C compressor
- S04-knock sensor
- S11-canister solenoid valve
- S07\_EA-nozzle 1
- S07\_EB-nozzle 2

- S07\_EC-nozzle 3
- S07\_ED-nozzle 4
- S09-variable camshaft timing
- S08\_EA-ignition coil 1
- S08\_EB-ignition coil 2
- S08\_EC-ignition coil 3
- S08\_ED-ignition coil 4
- E08\_EA-ECU connector 81 holes black
- S11\_EA-canister solenoid valve connector 2 holes black
- S04\_EA-knock sensor connector 2 holes black
- S09\_EA-variable camshaft timing connector 2 holes gray
- M20\_EA-A/C compressor connector 1 hole gray
- S08\_EA-ignition coil 1 connector 2 holes black
- X05\_AA Y05\_EA-ECU wiring harness and main wiring harness splicing connector 42 holes black

- S08\_EB-ignition coil 2 connector 2 holes black
- S08\_EC-ignition coil 3 connector 2 holes black
- S08\_ED-ignition coil 4 connector 2 holes black
- S07\_EA-nozzle 1 connector 2 holes gray
- S07\_EB-nozzle 2 connector 2 holes gray
- S07\_EC-nozzle 3 connector 2 holes gray
- S07\_ED-nozzle 4 connector 2 holes gray
- R4, R11- engine compartment relay
- G34\_P-airbag ECU ground point 2
- G31\_E-ECU ground point 1 in the flow slot
- G32\_E-ECU ground point 2 in the flow slot
- \*Manual A/C
- \*\*Automatic A/C
- \*\*\*For MT model