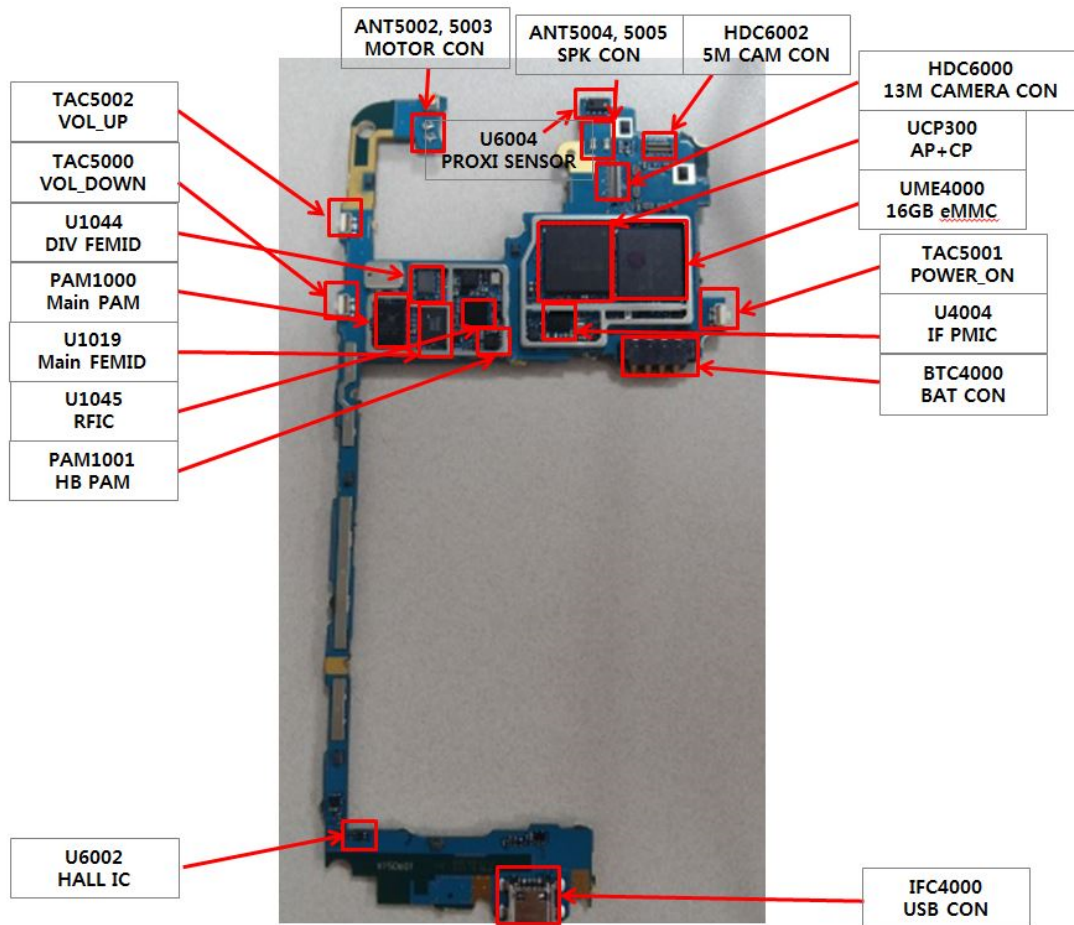
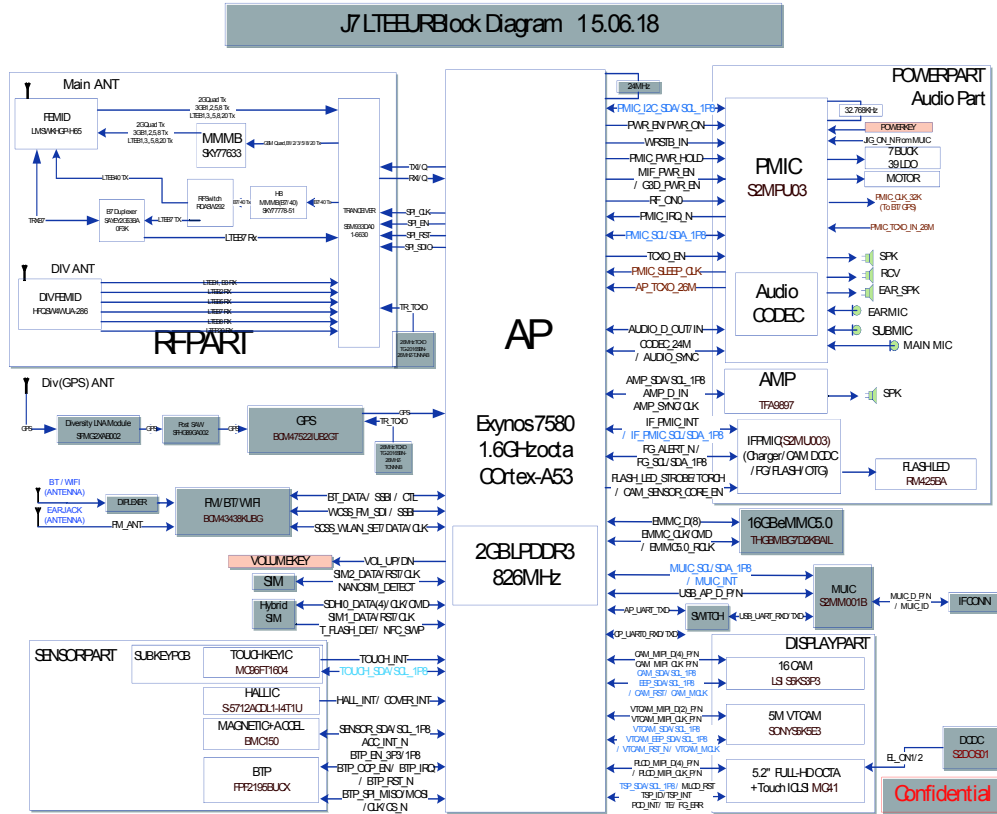


## 8. Level 3 Repair

### 8-1. Components Layout

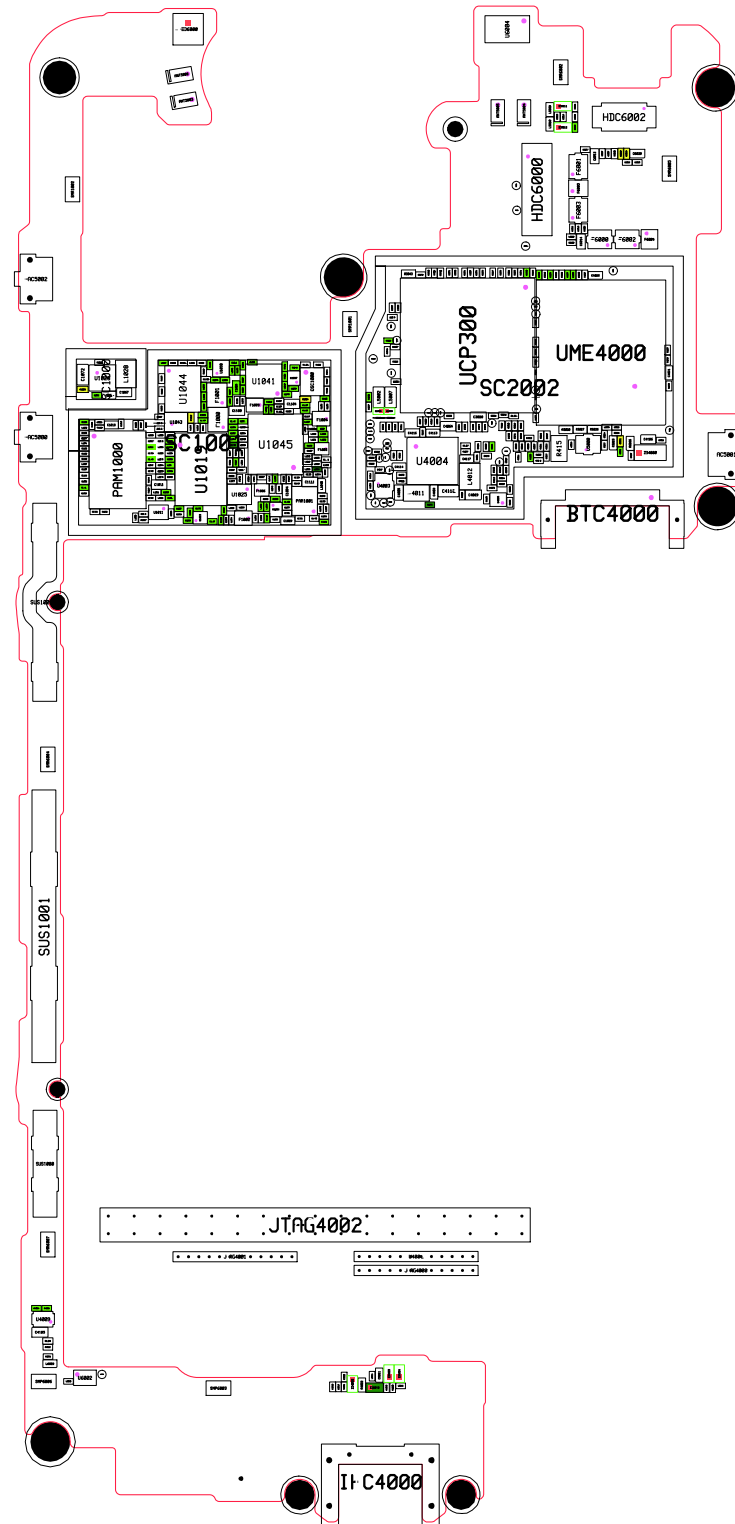


## 8-2. Block Diagram

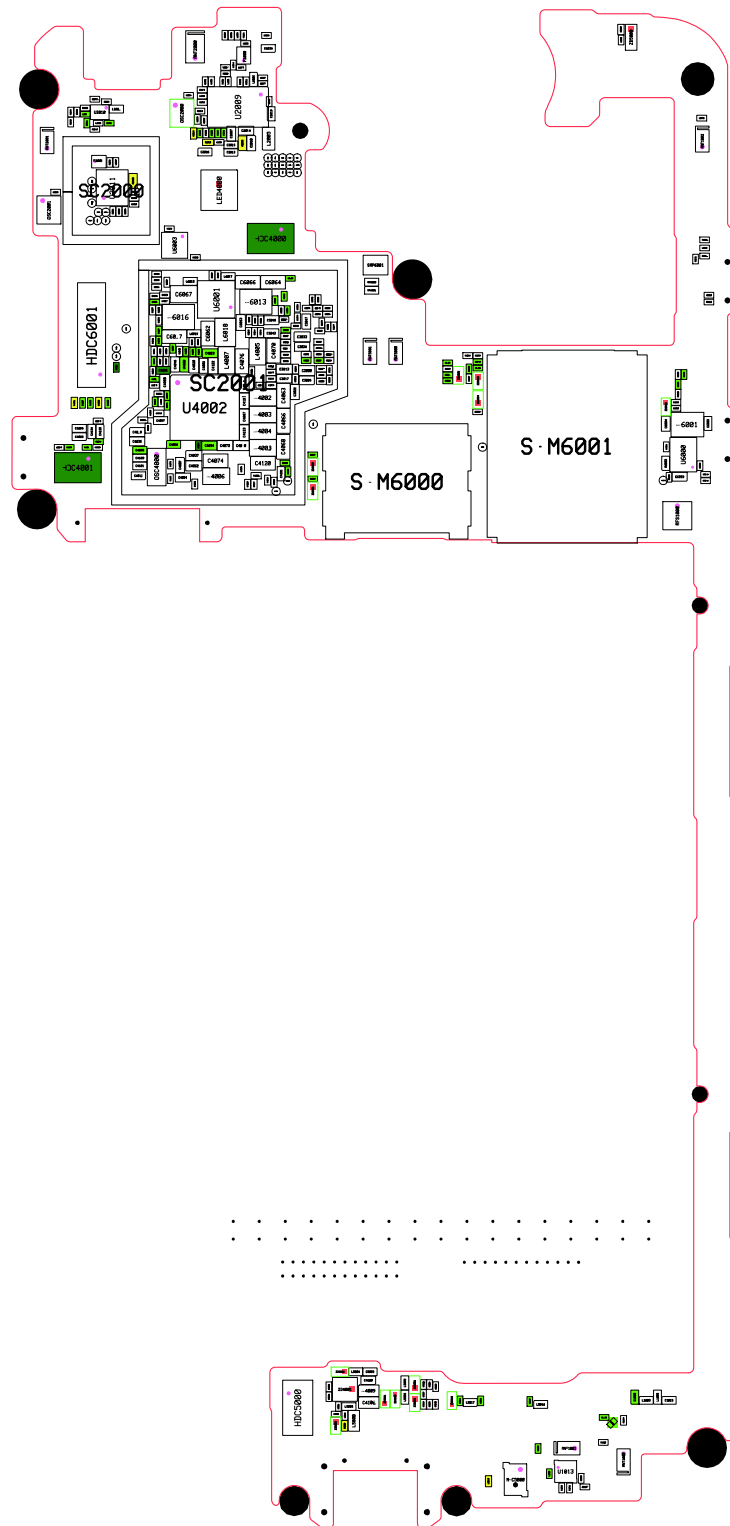


### 8-3. PCB Diagrams

#### 8-3-1. Top

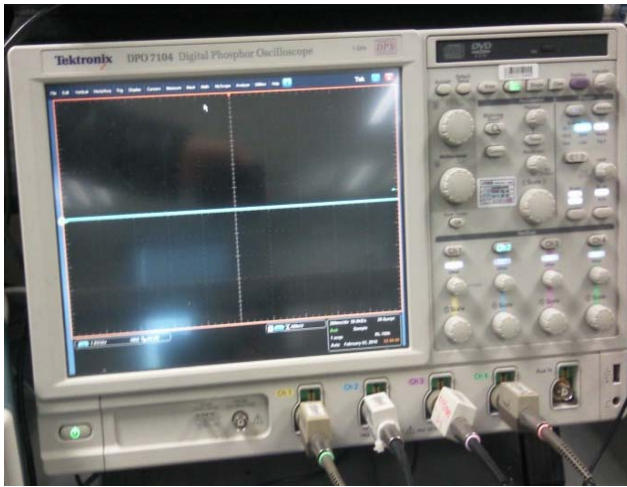


### 8-3-2. Bottom





### 8-4. Flow Chart of Troubleshooting Equipments



↑ Oscilloscope



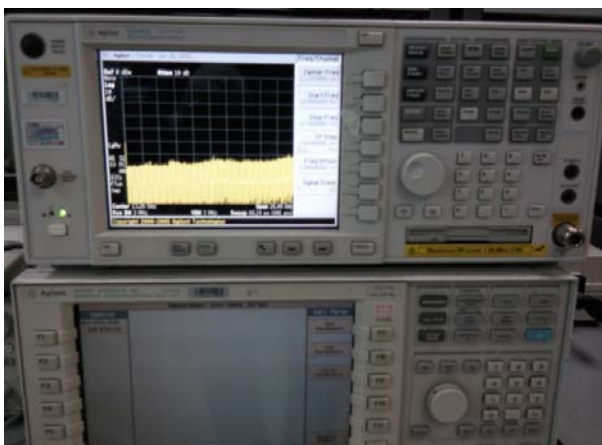
↑ Digital Multimeter



↑ Power Supply



↑ + driver, ESD Safe Tweezer

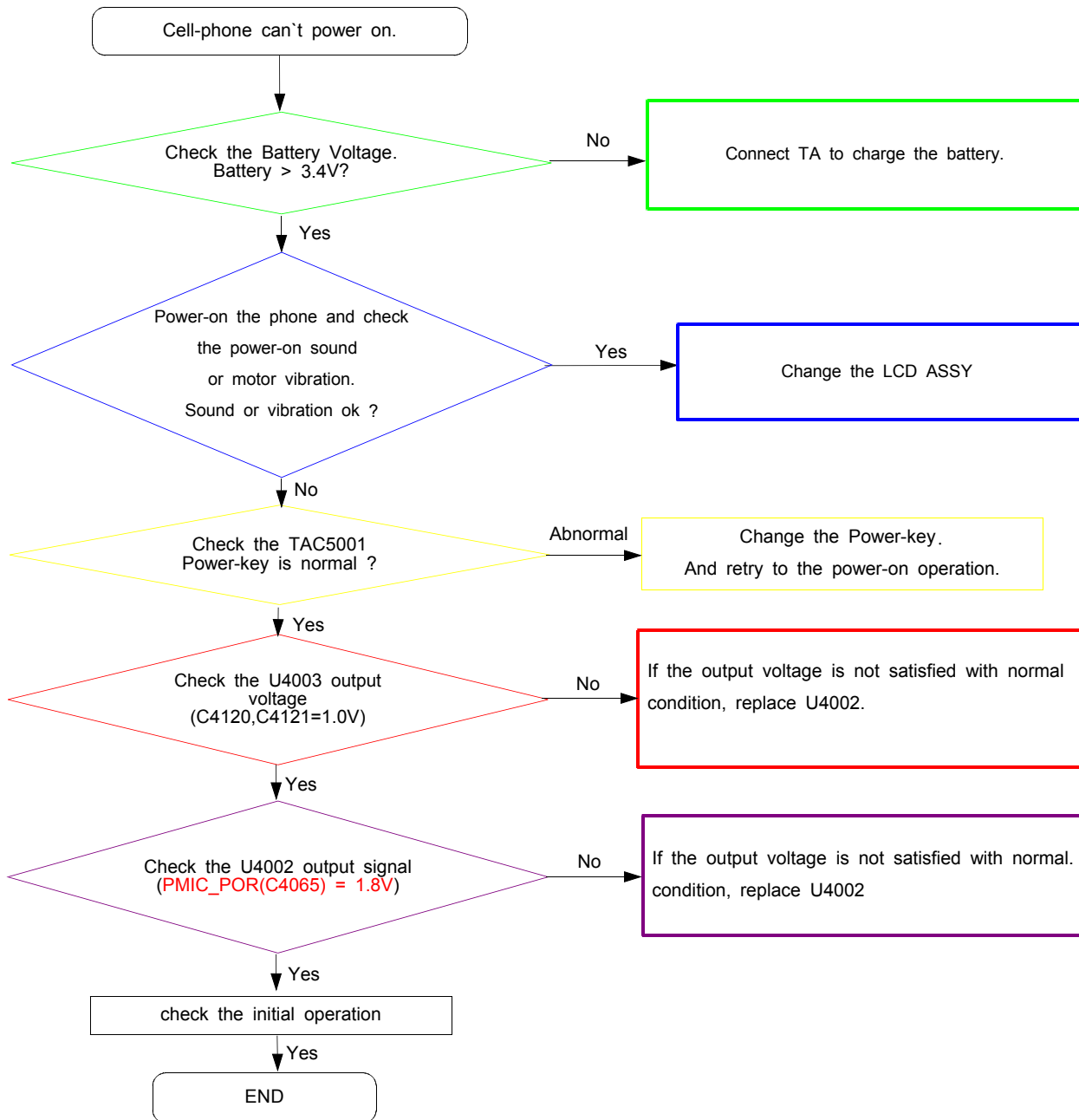


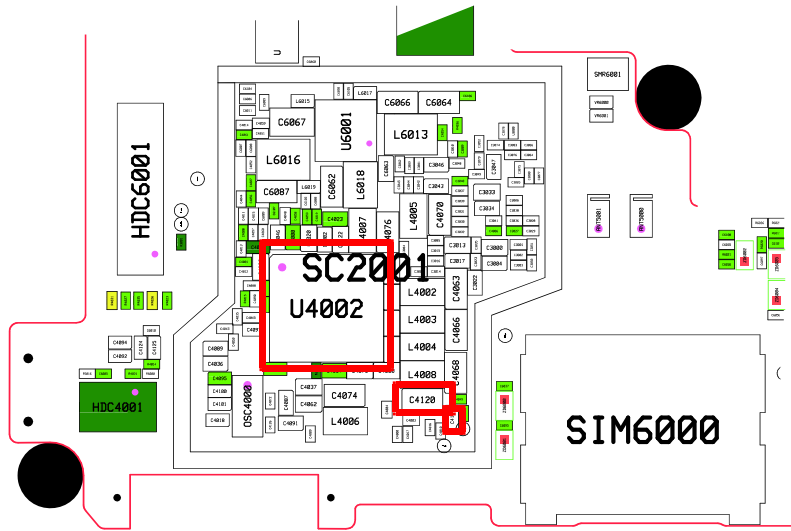
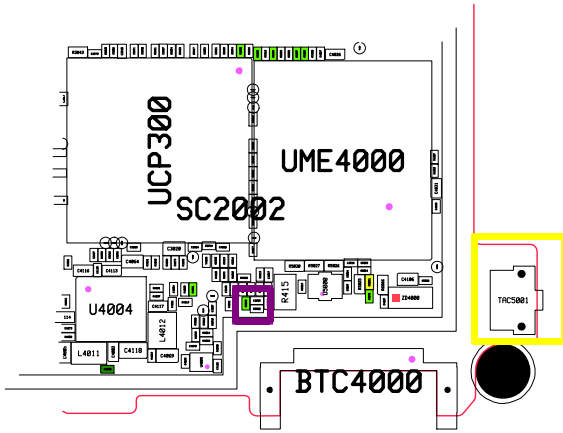
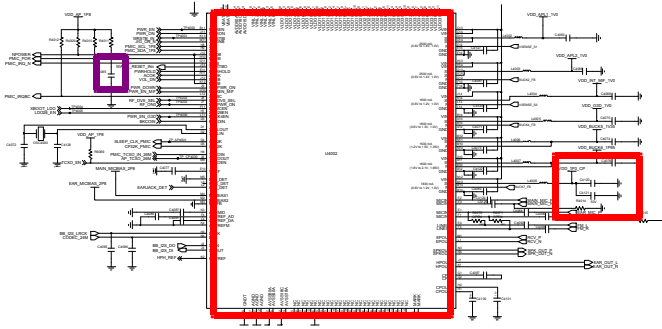
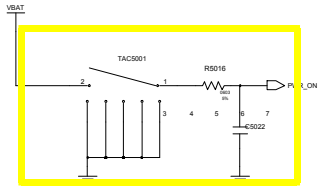
↑ 8960 & Spectrum Analyzer



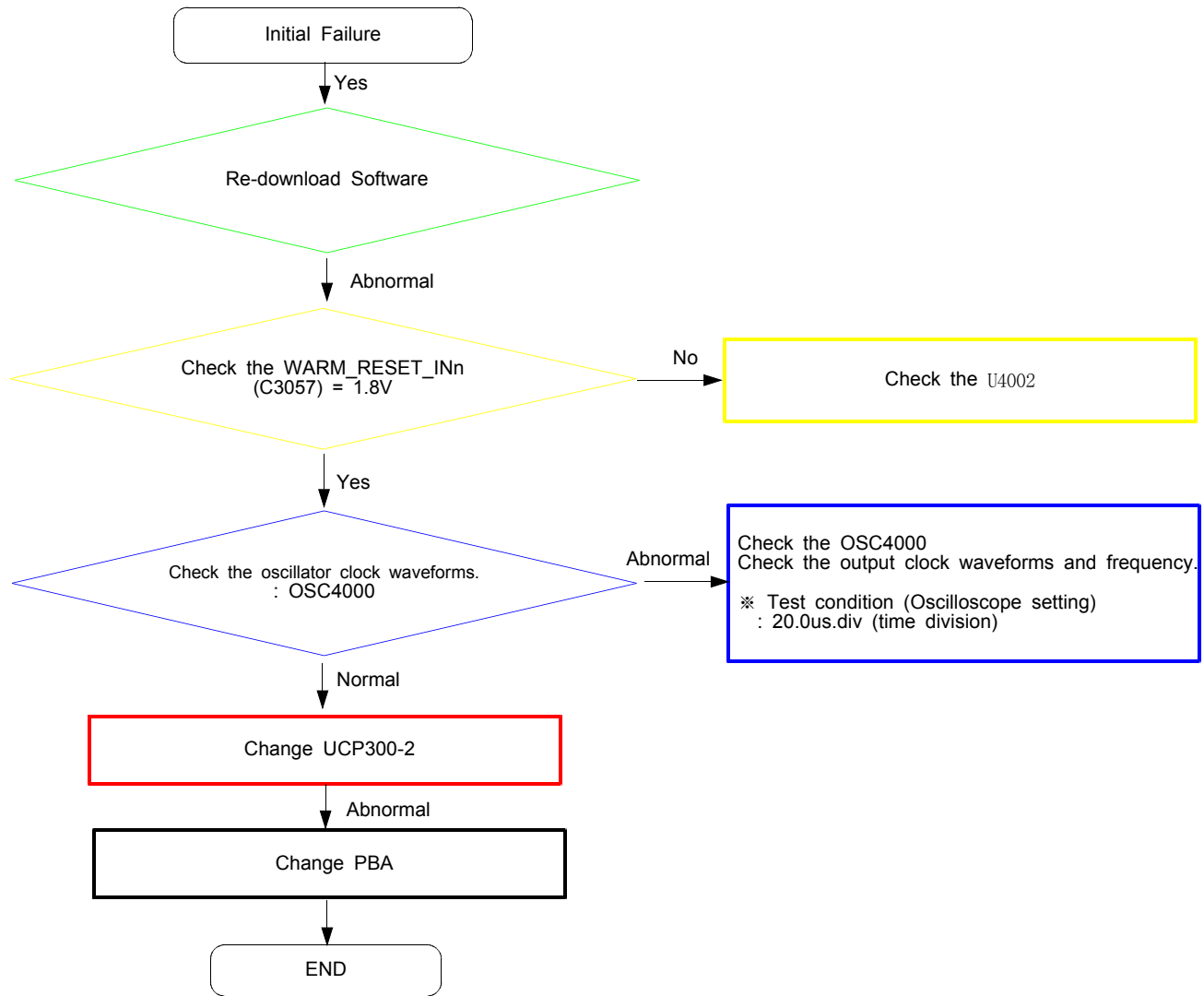
↑ Soldering iron

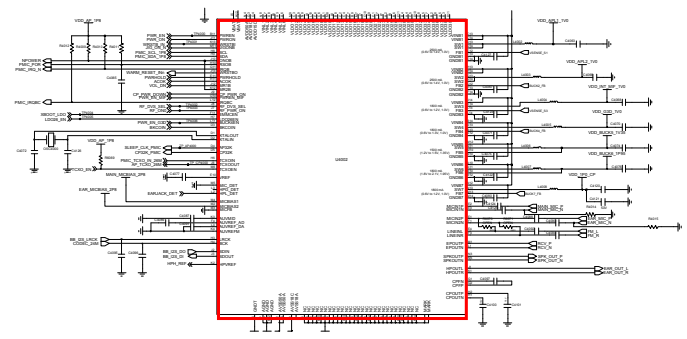
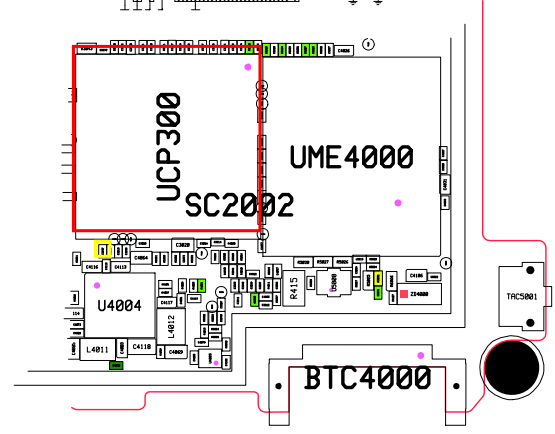
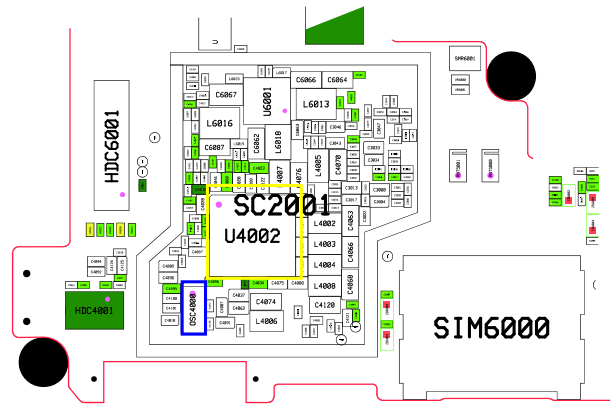
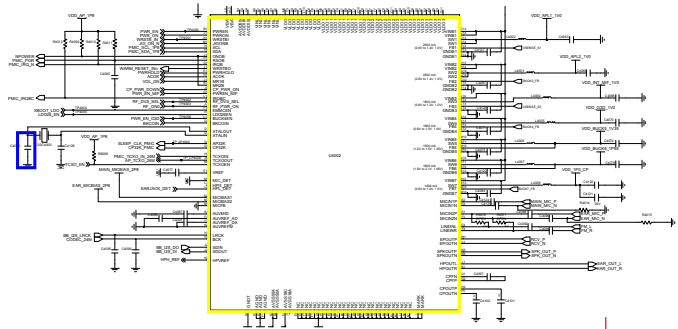
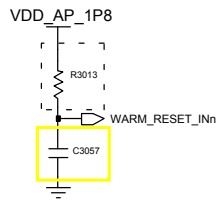
### 8-4-1. Power On



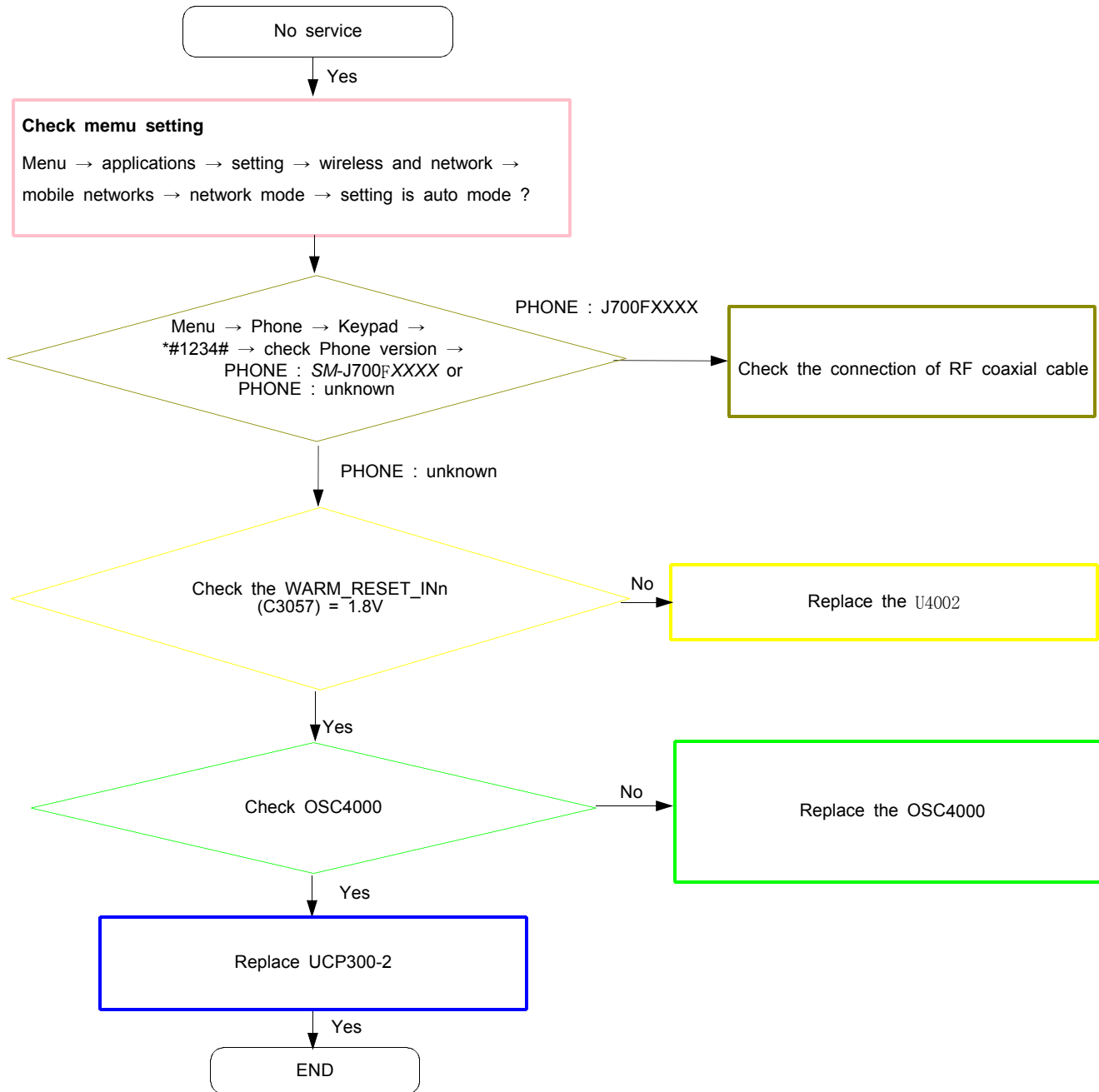


### 8-4-2. Initial



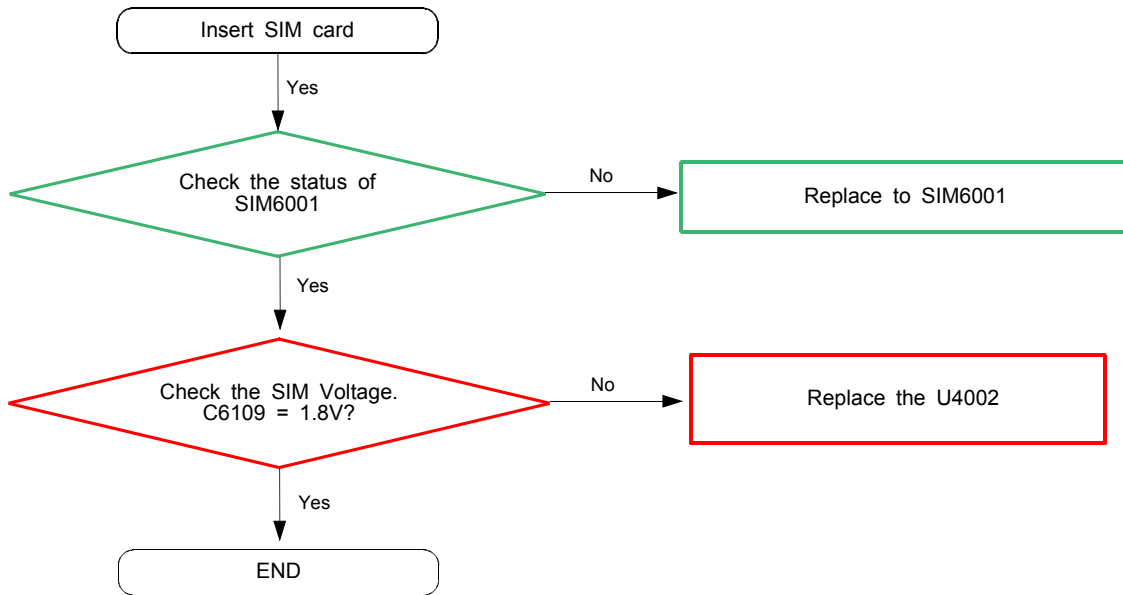


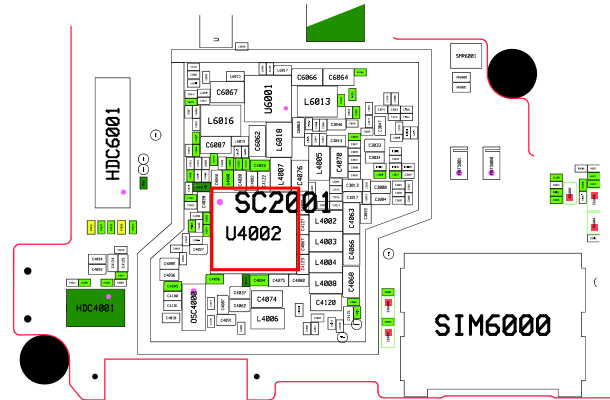
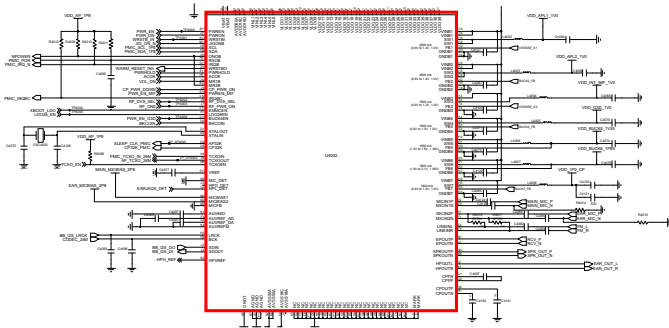
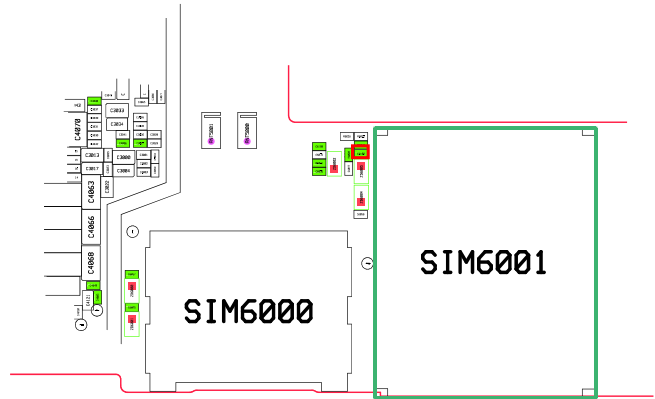
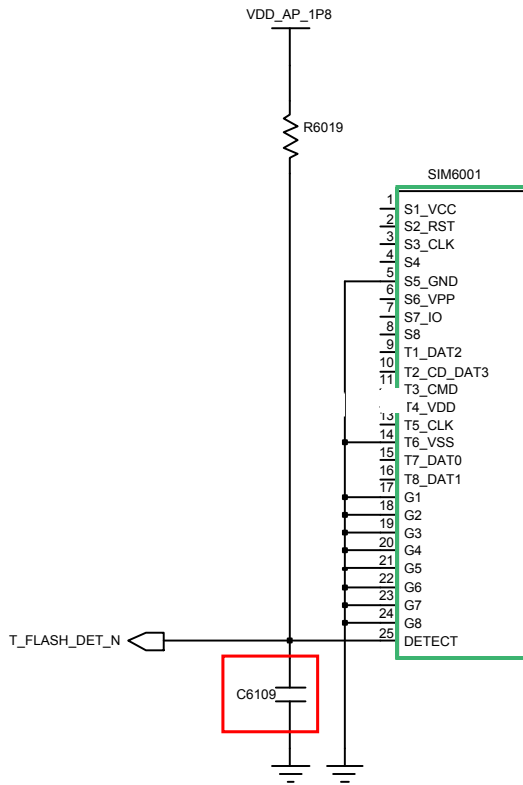
### 8-4-3. No Service



※ Schemetic : Refer to the 8-4-2 (Initial)

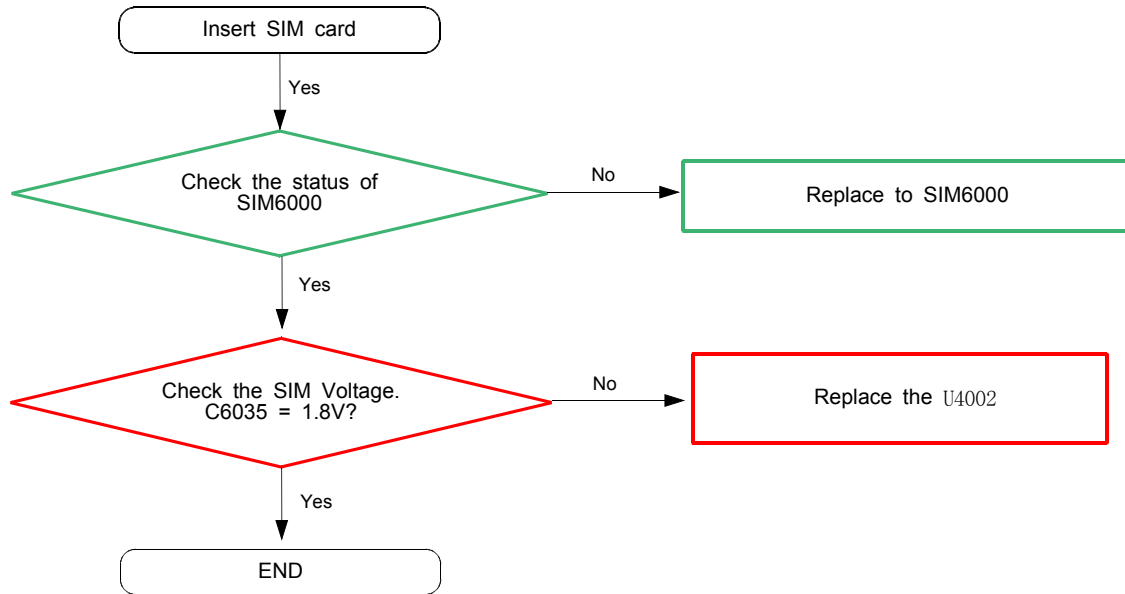
### 8-4-4. Sim Part - Sim Card 1

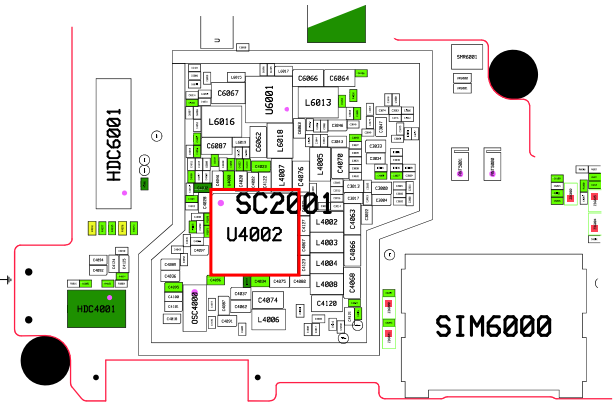
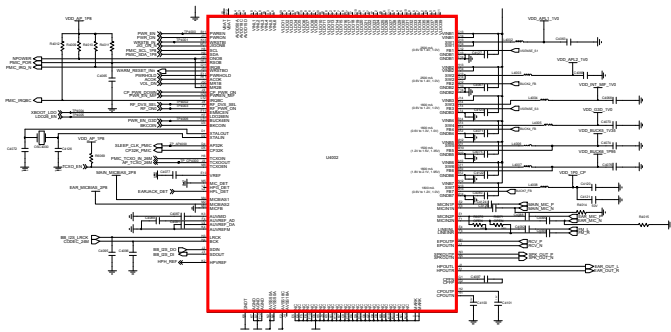
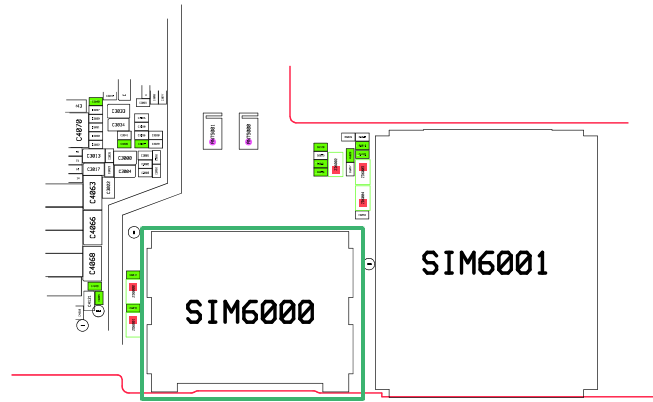
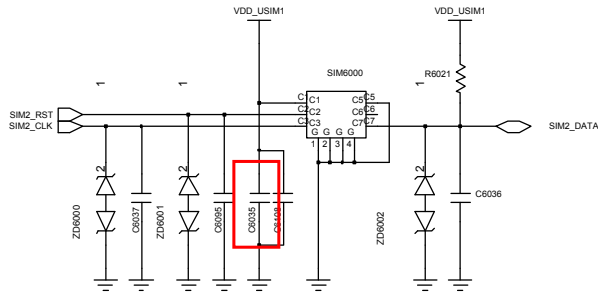




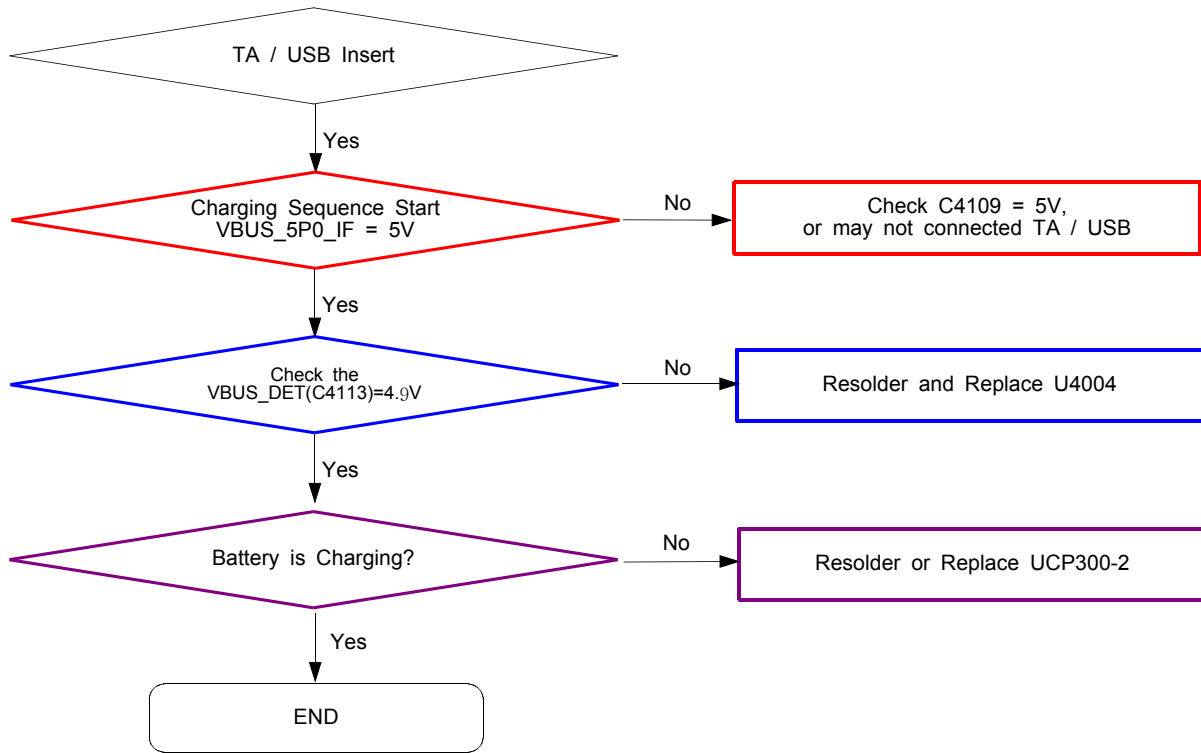


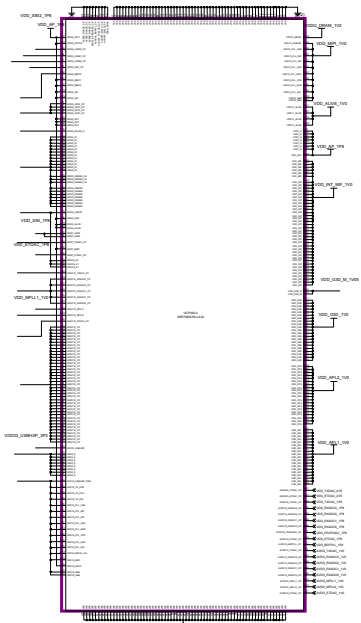
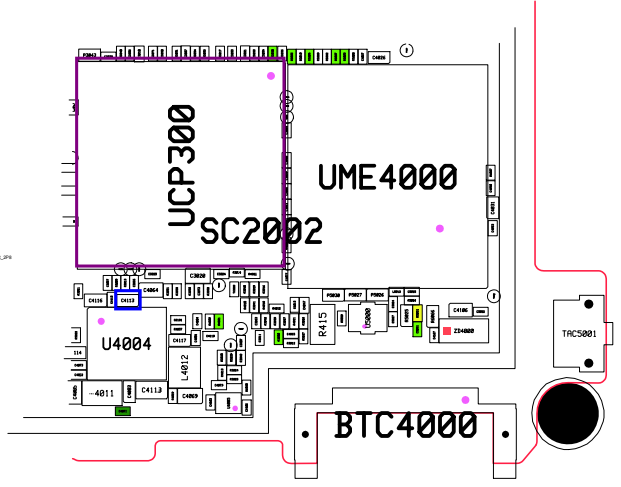
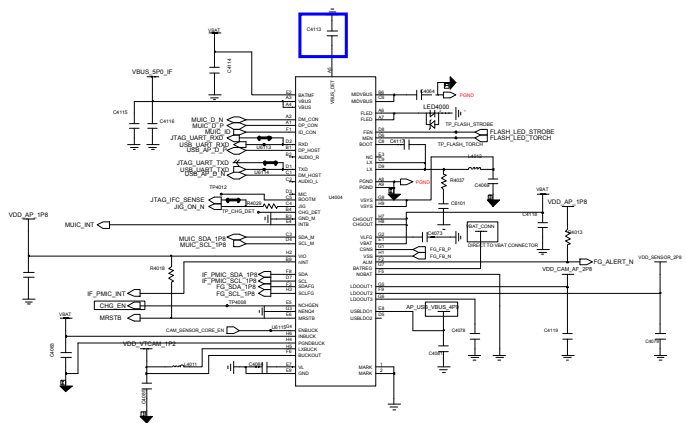
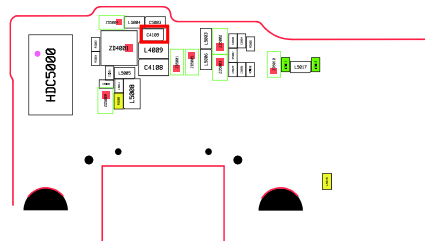
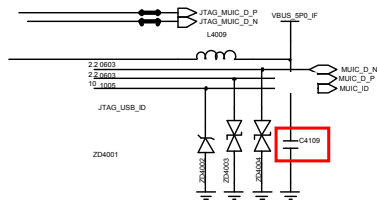
### 8-4-4. Sim Part - Sim Card 2



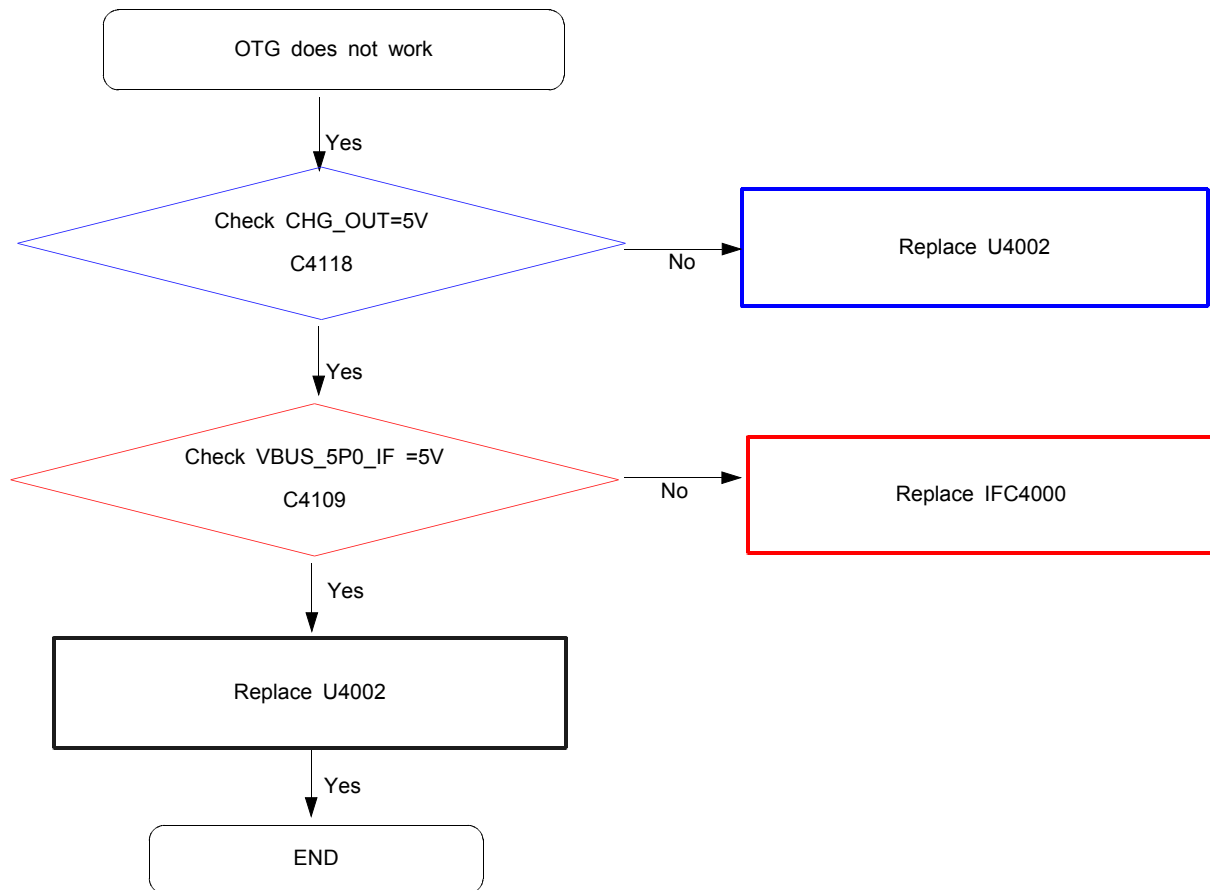


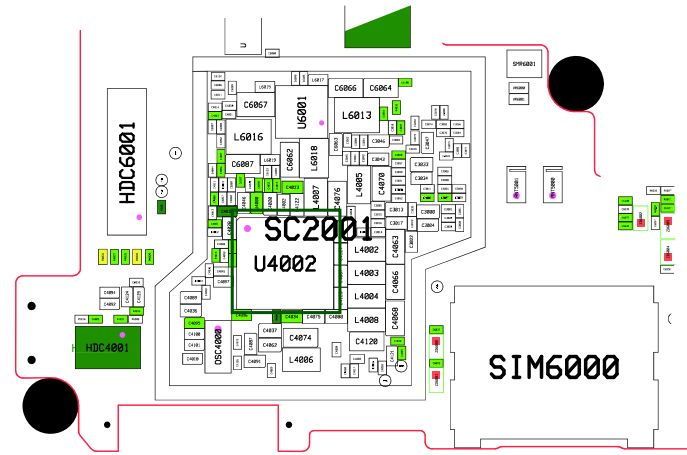
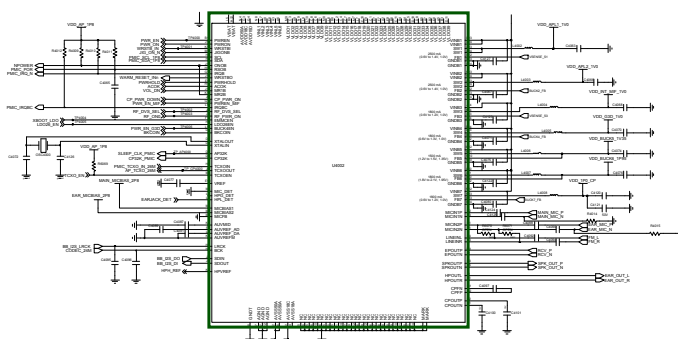
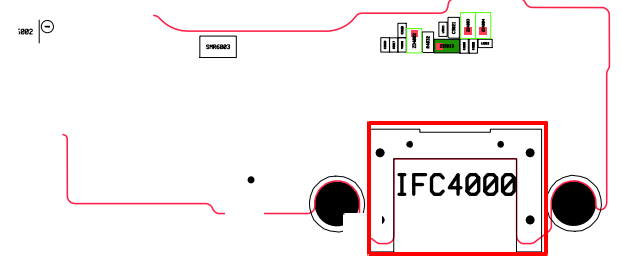
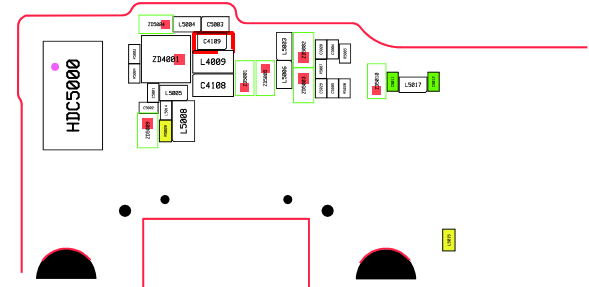
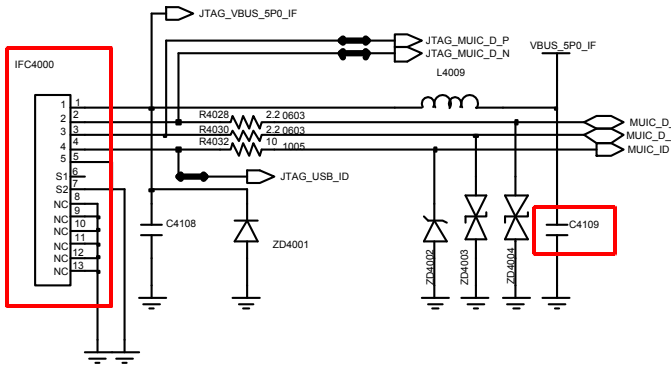
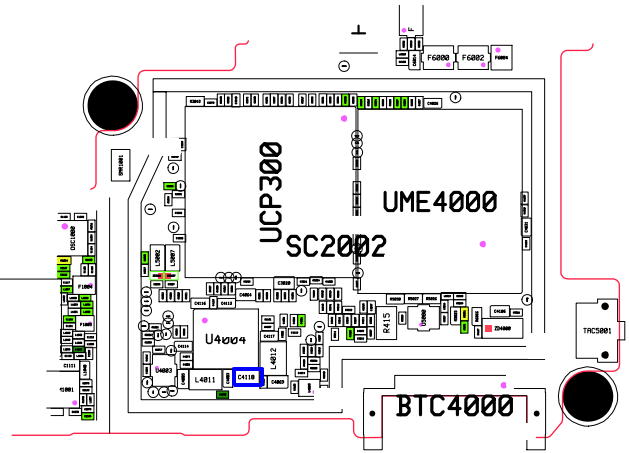
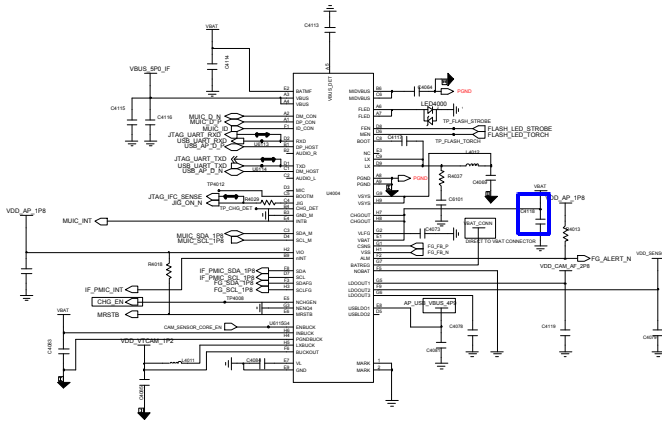
### 8-4-5. Charging Part



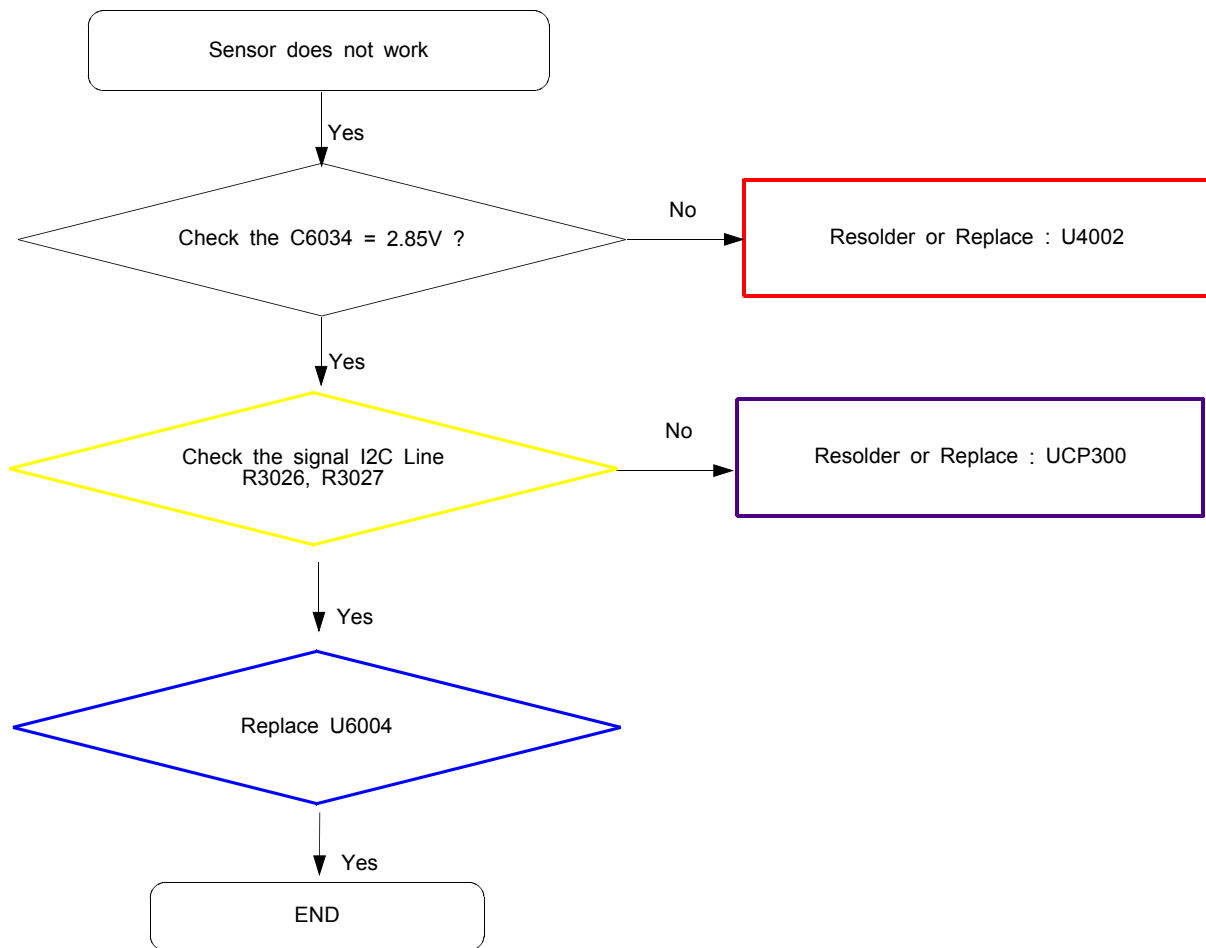


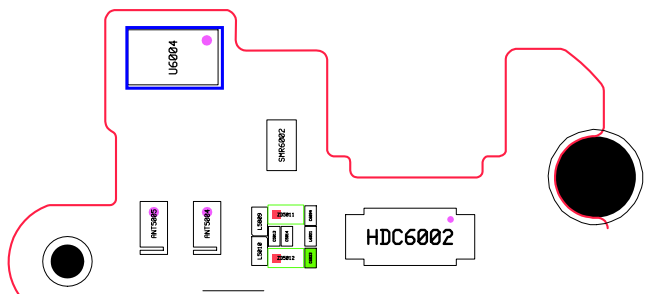
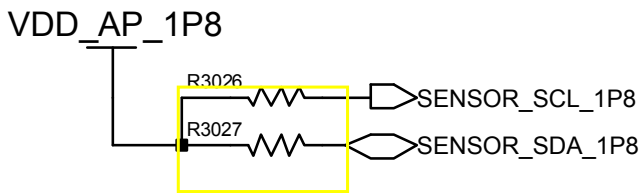
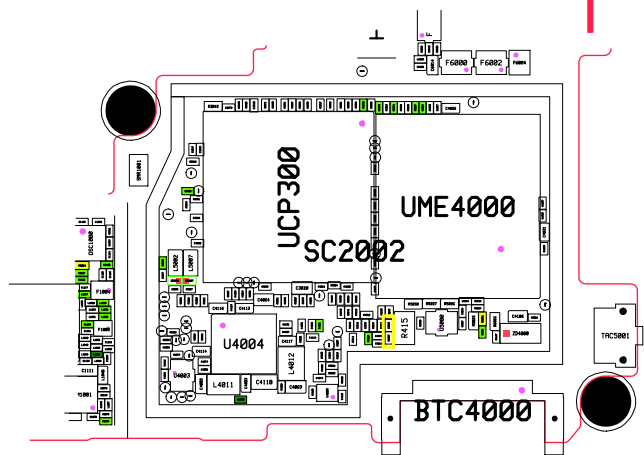
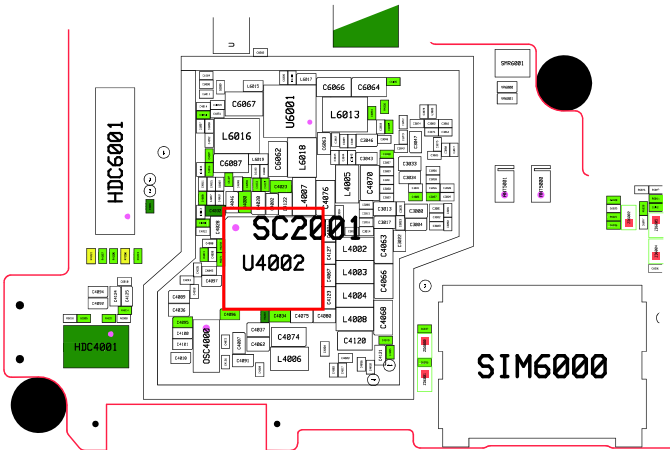
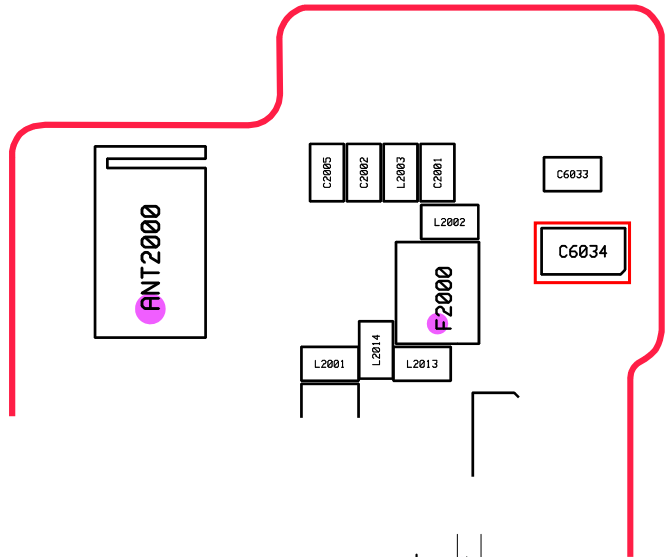
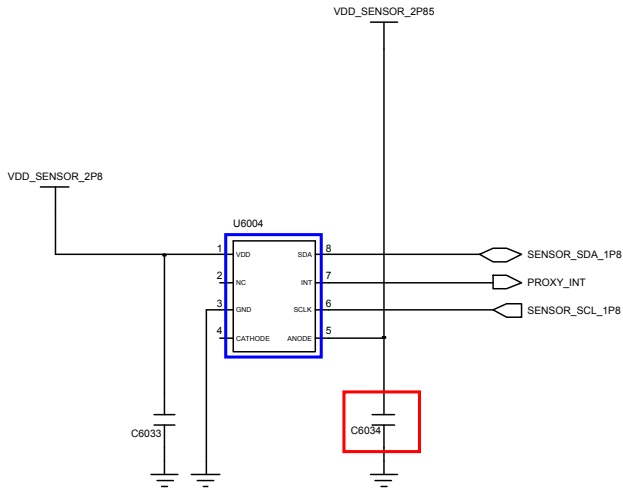
8-4-6. OTG





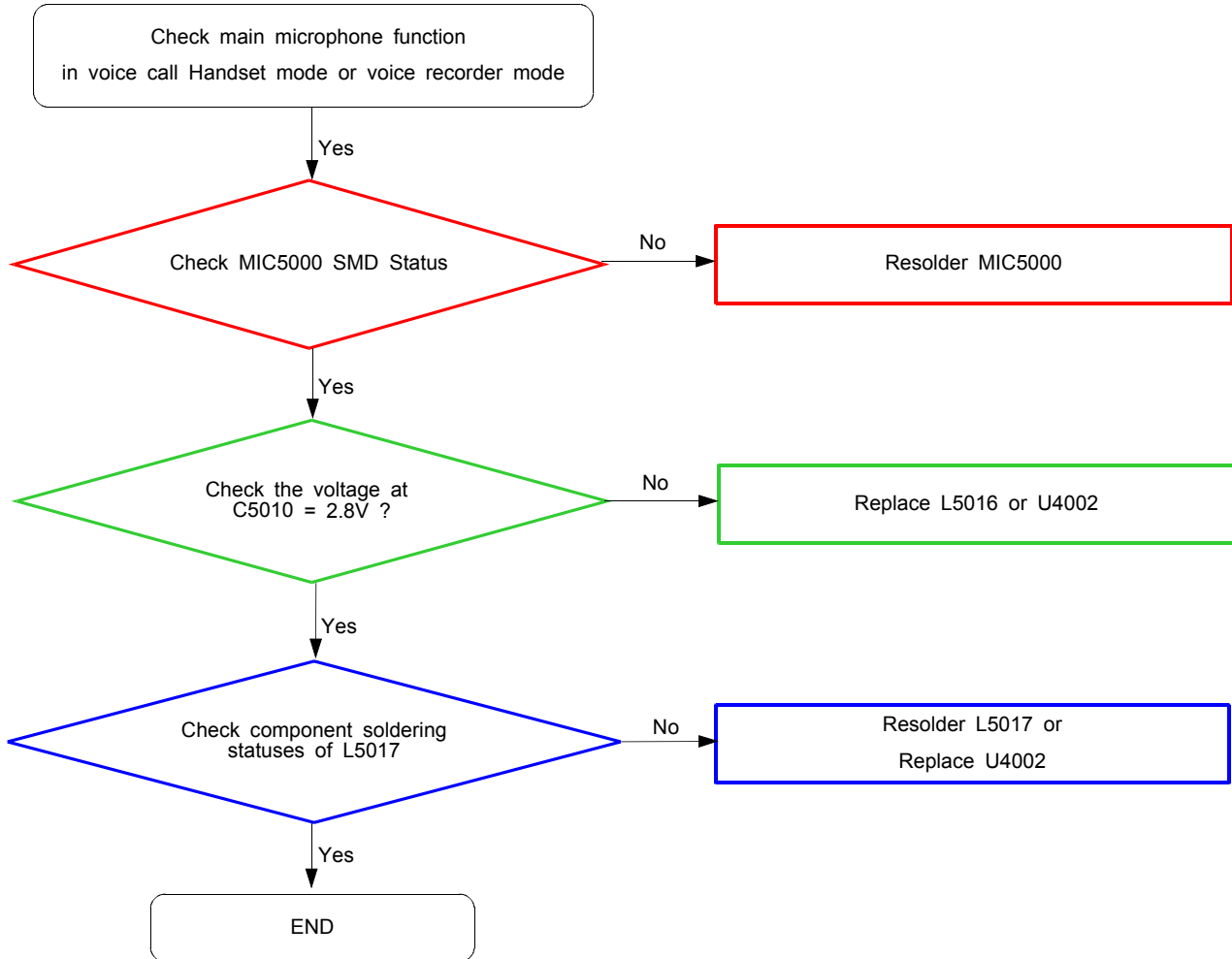
### 8-4-7. Proxy Sensor

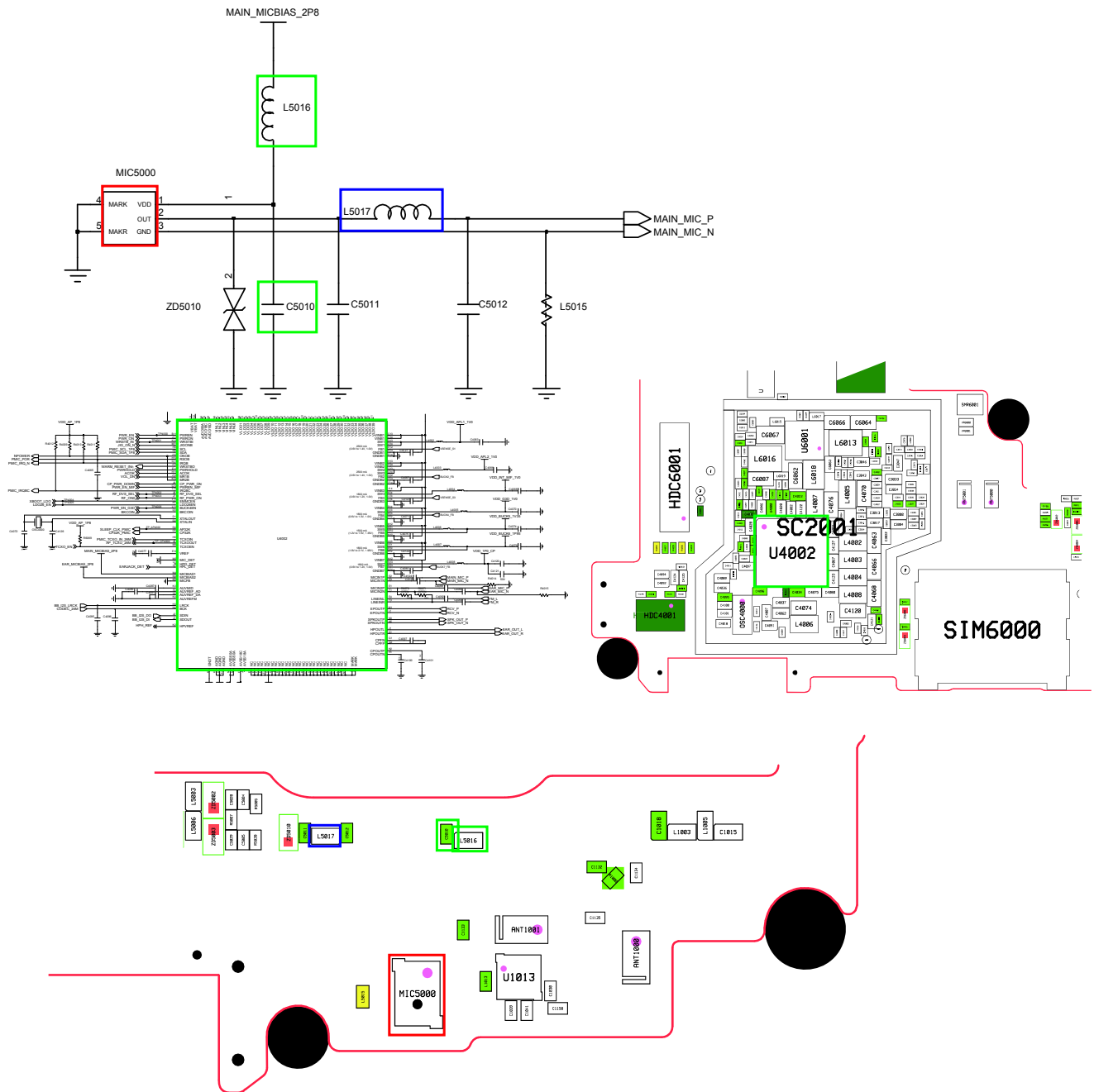




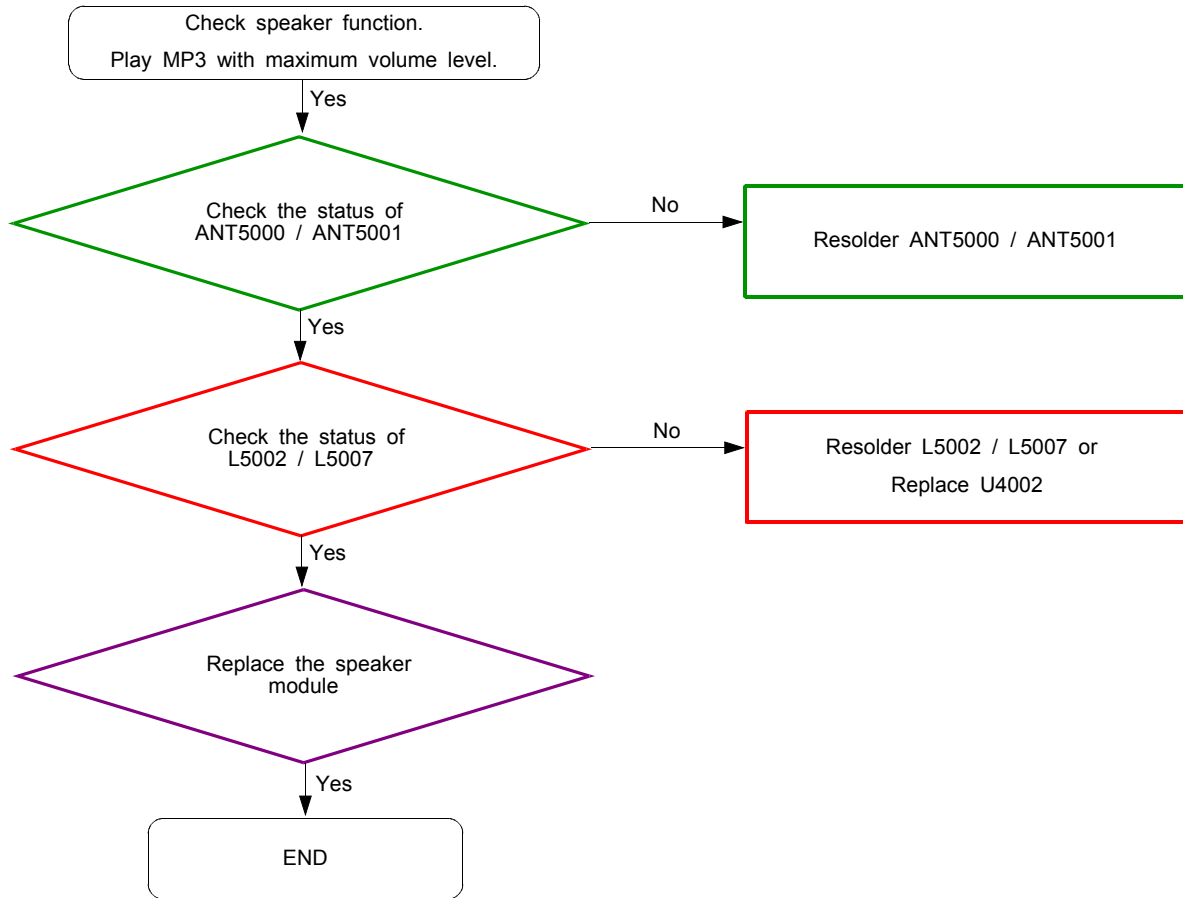


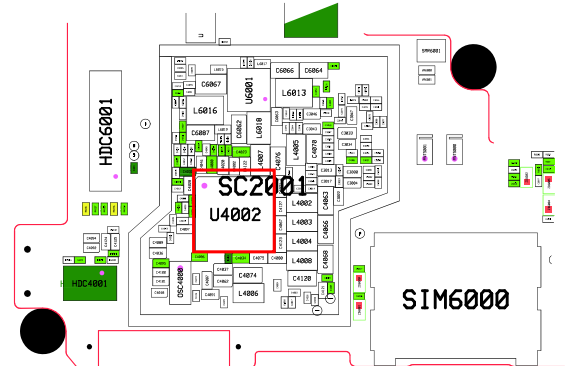
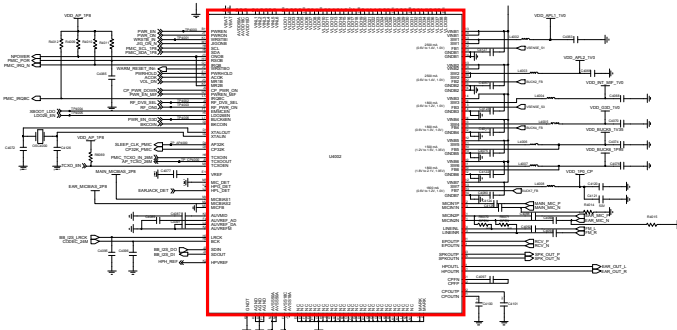
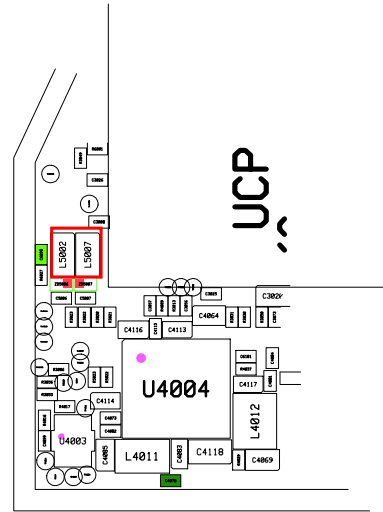
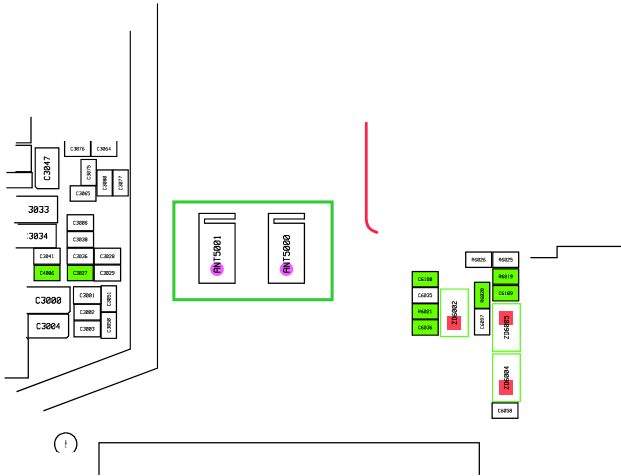
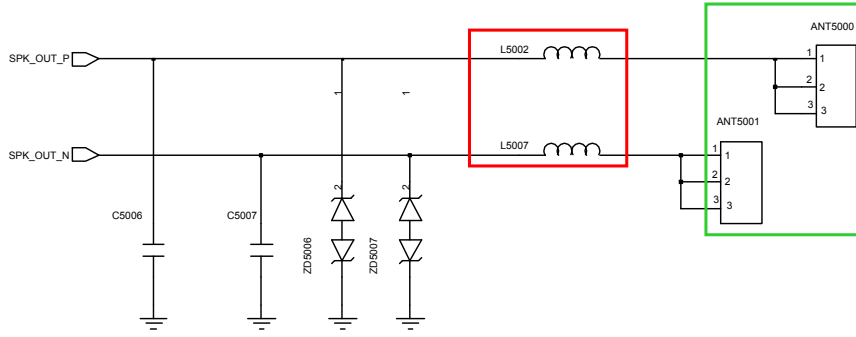
### 8-4-8 Microphone Part - Main MIC



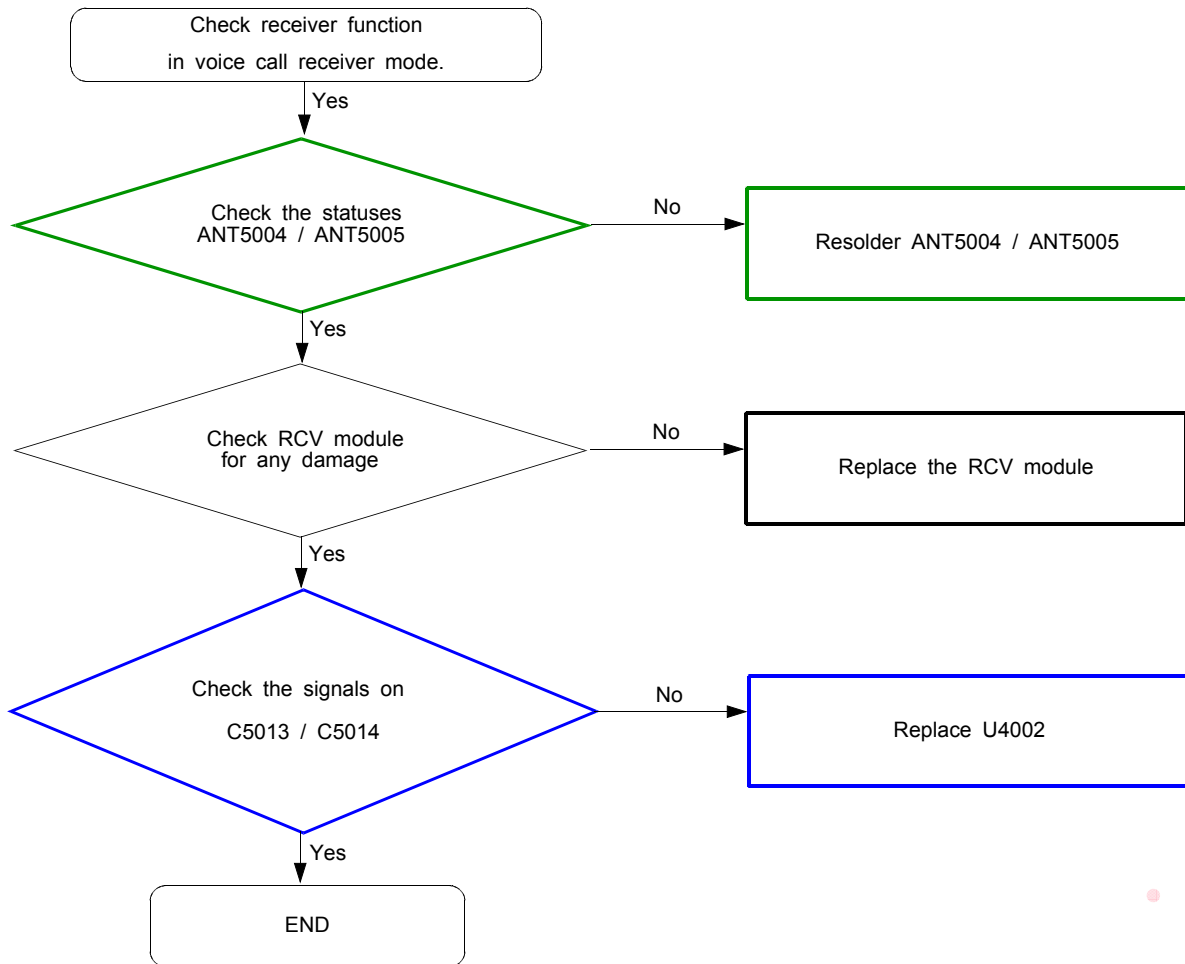


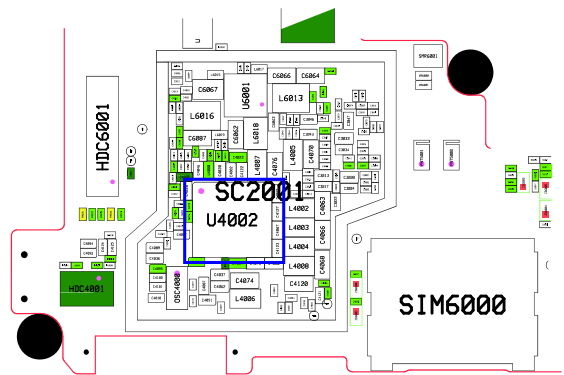
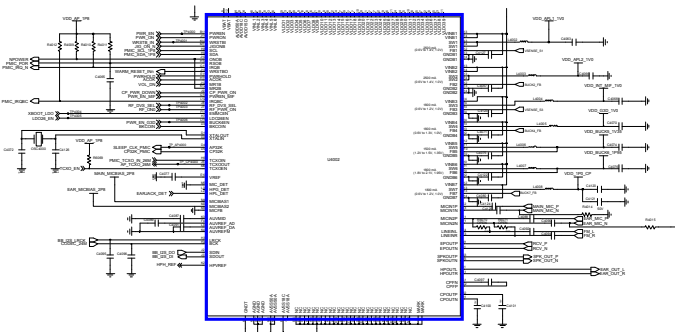
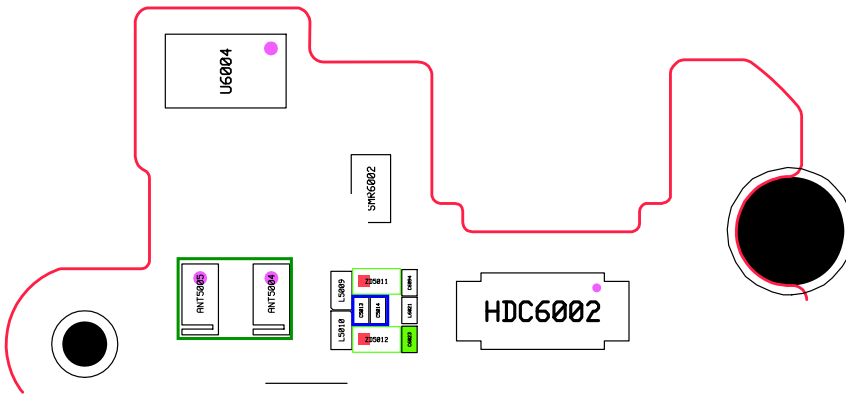
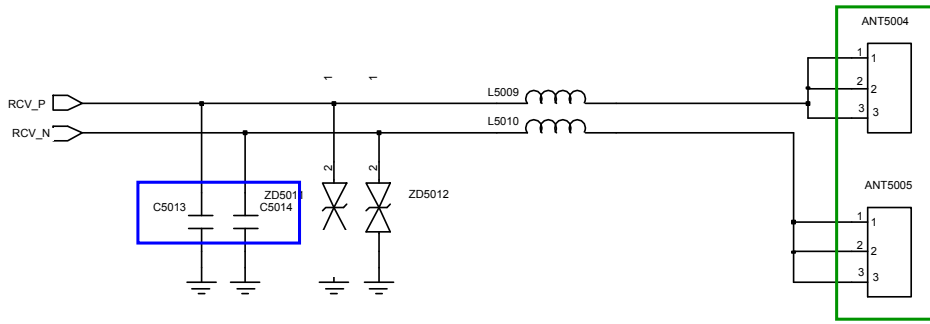
### 8-4-9. Speaker Part



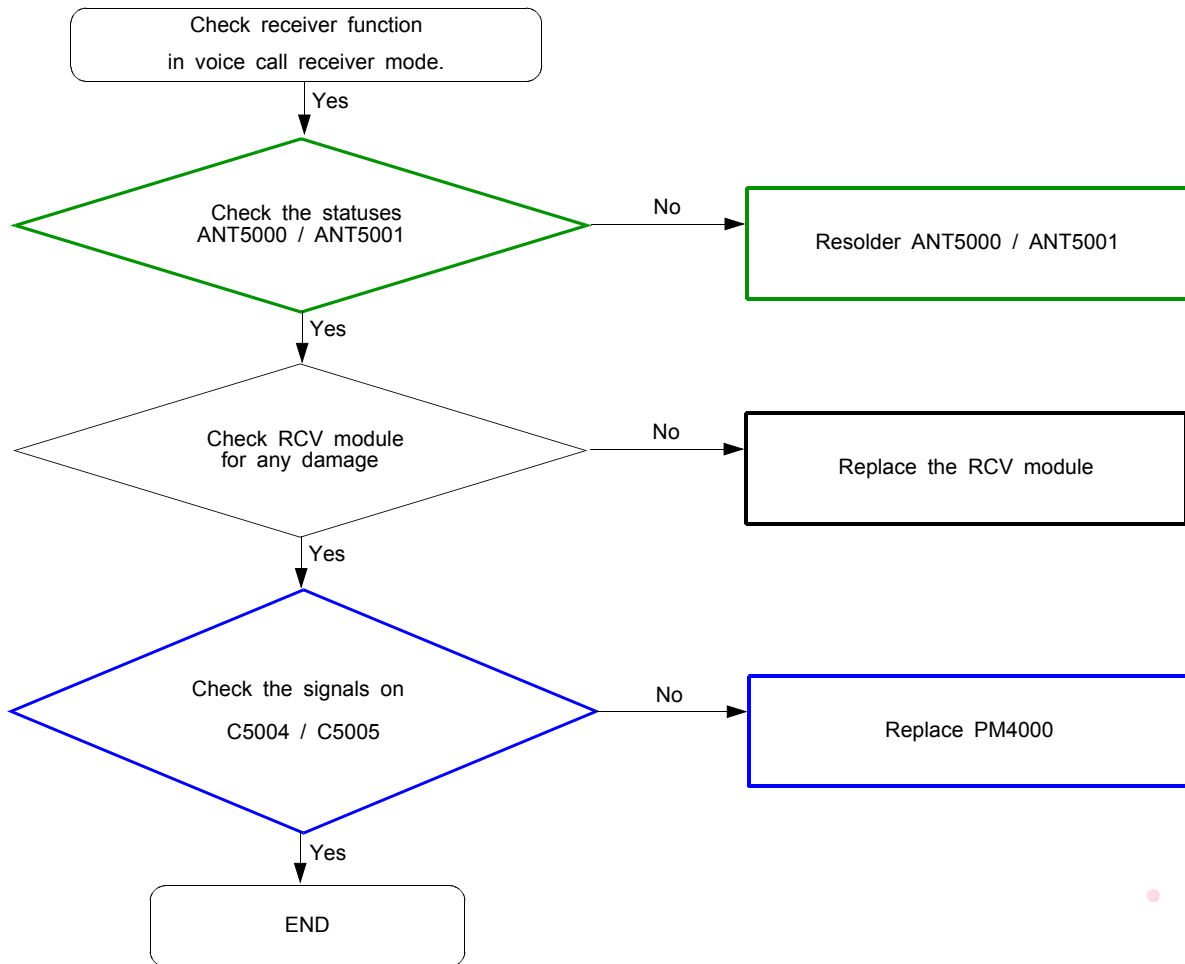


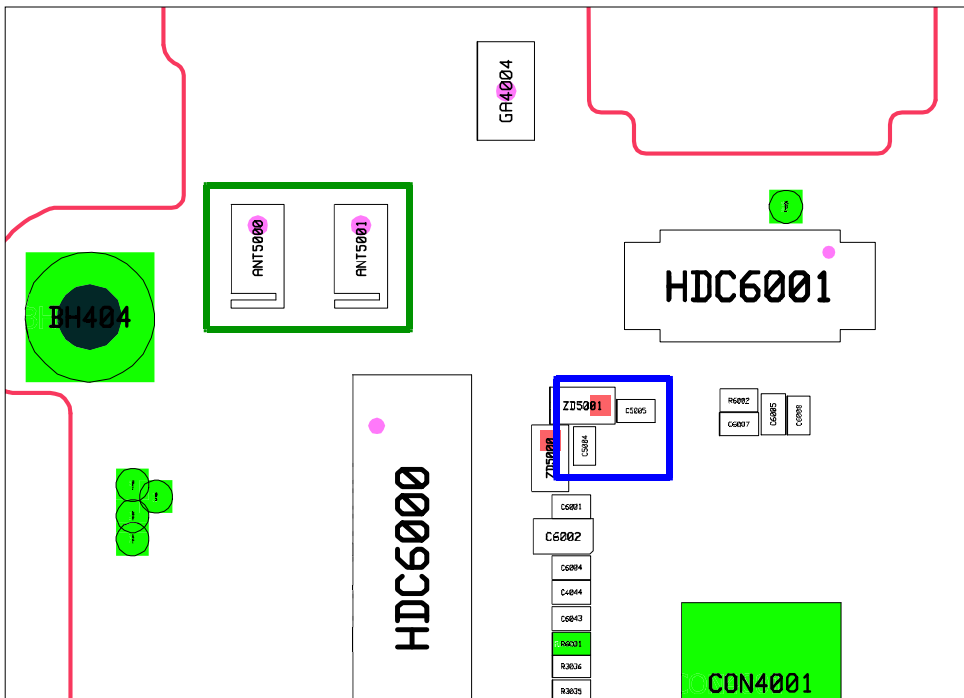
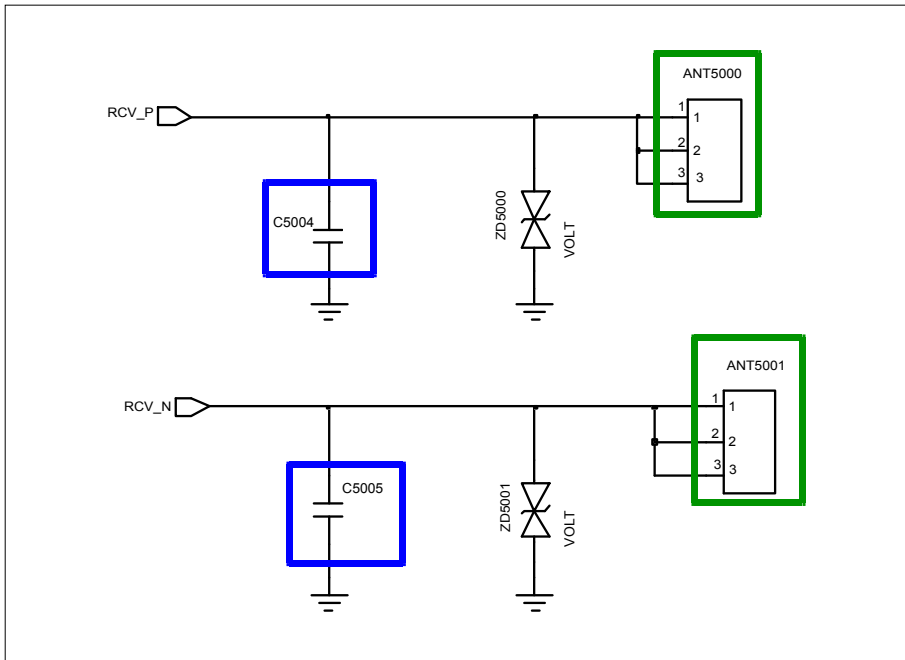
### 8-4-10. Receiver Part





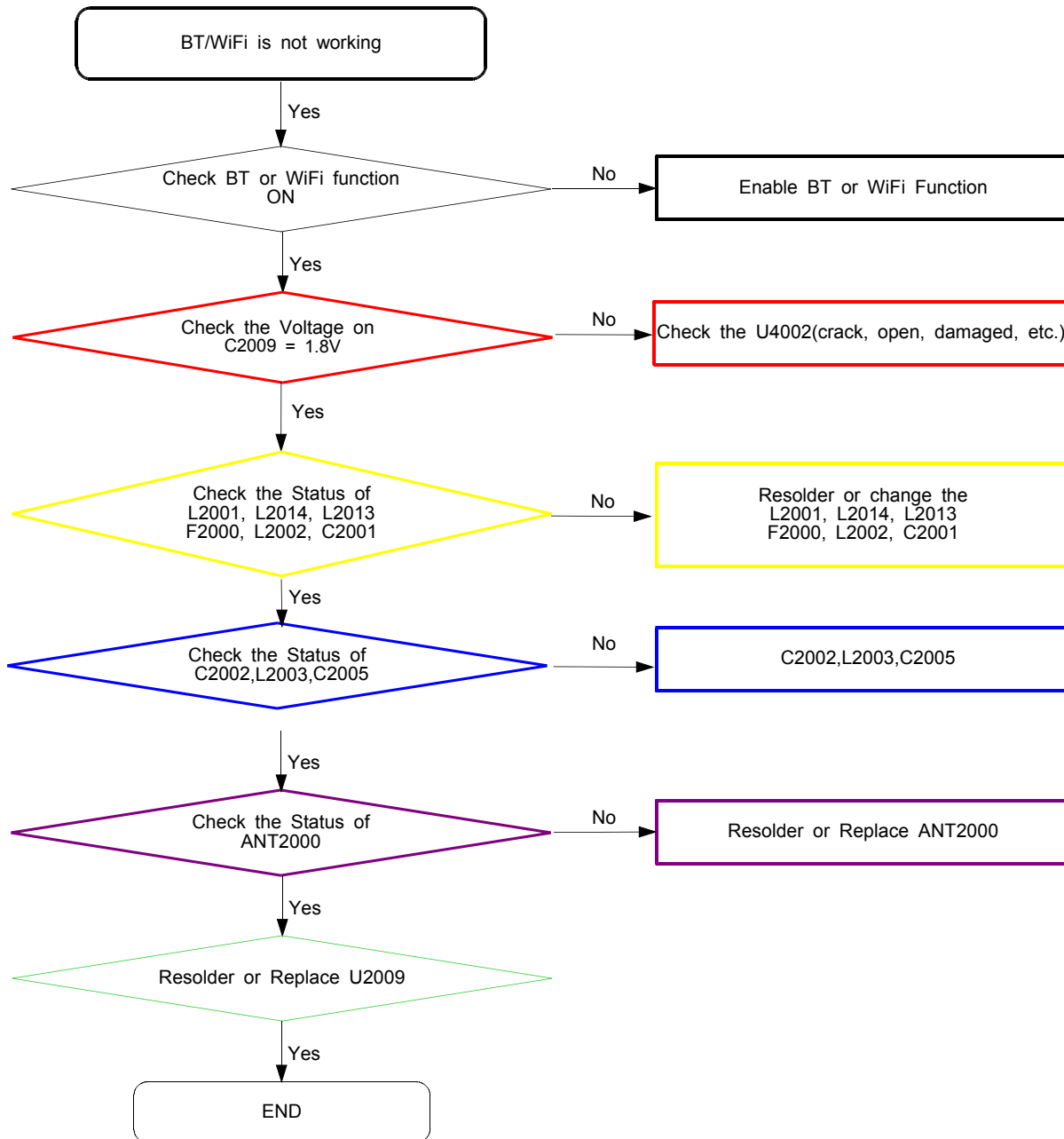
### 8-4-10. Receiver Part

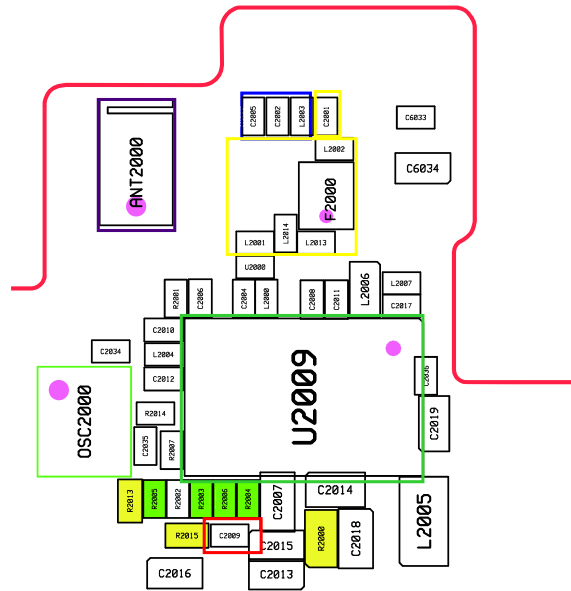
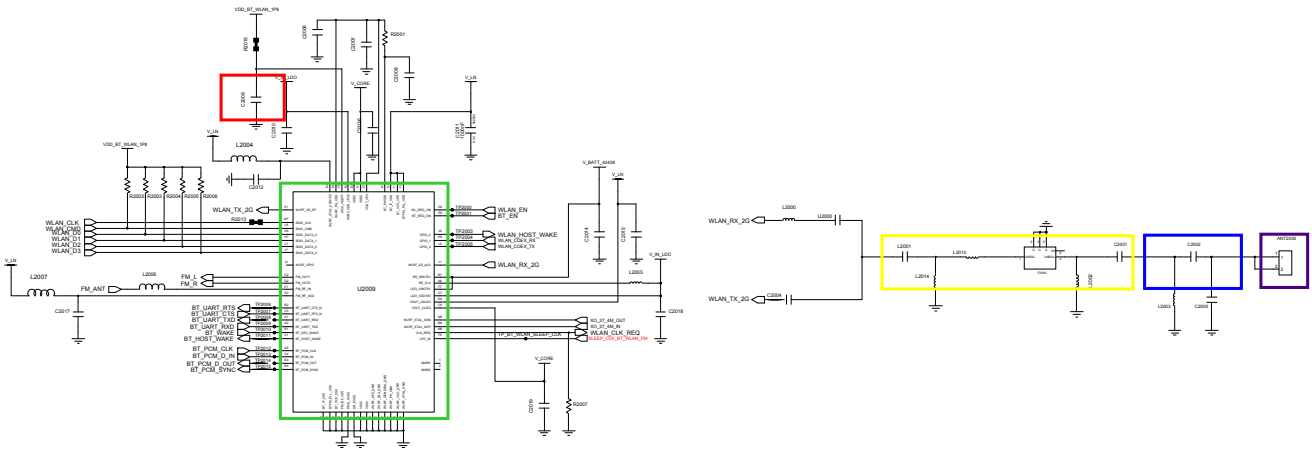




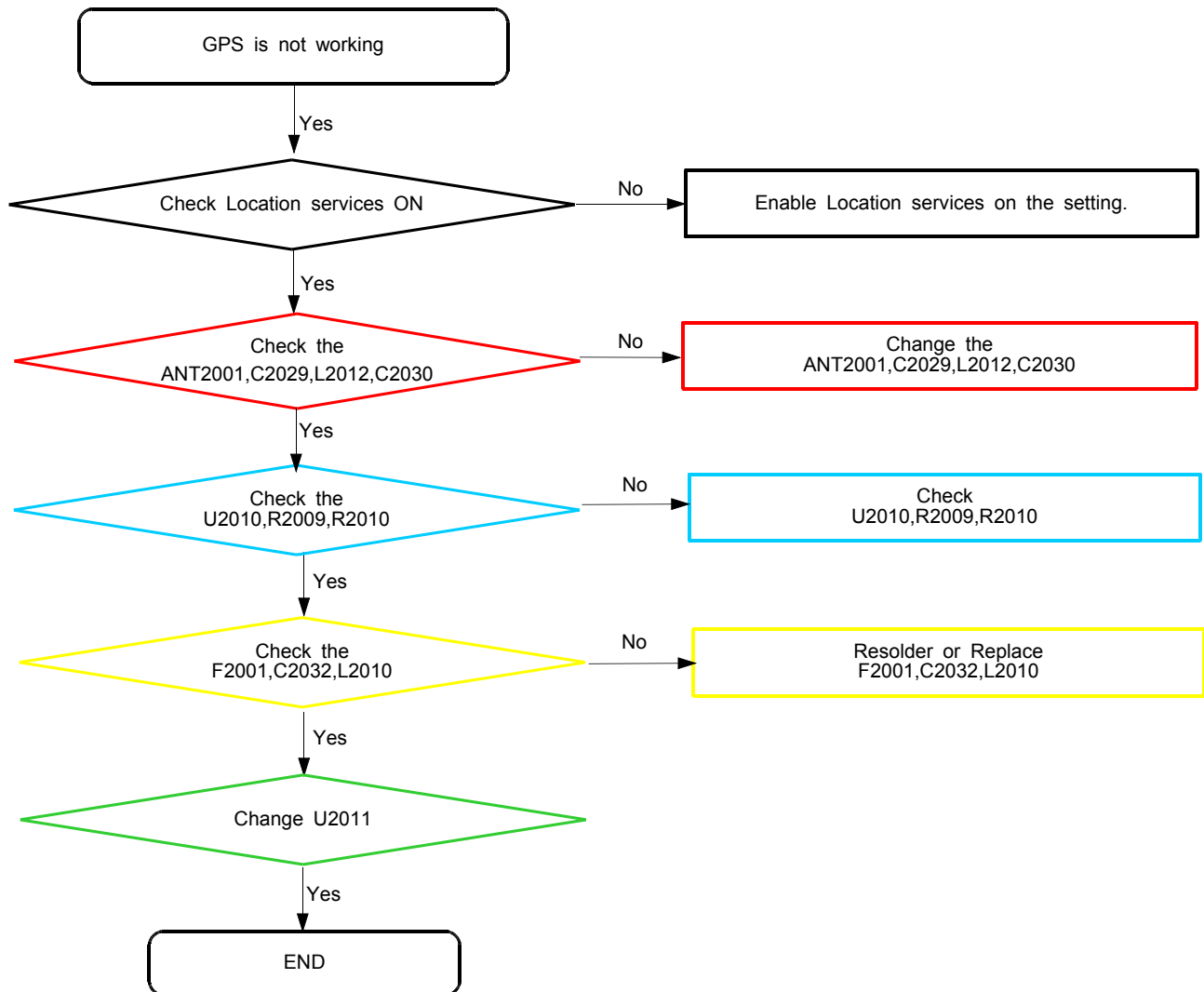


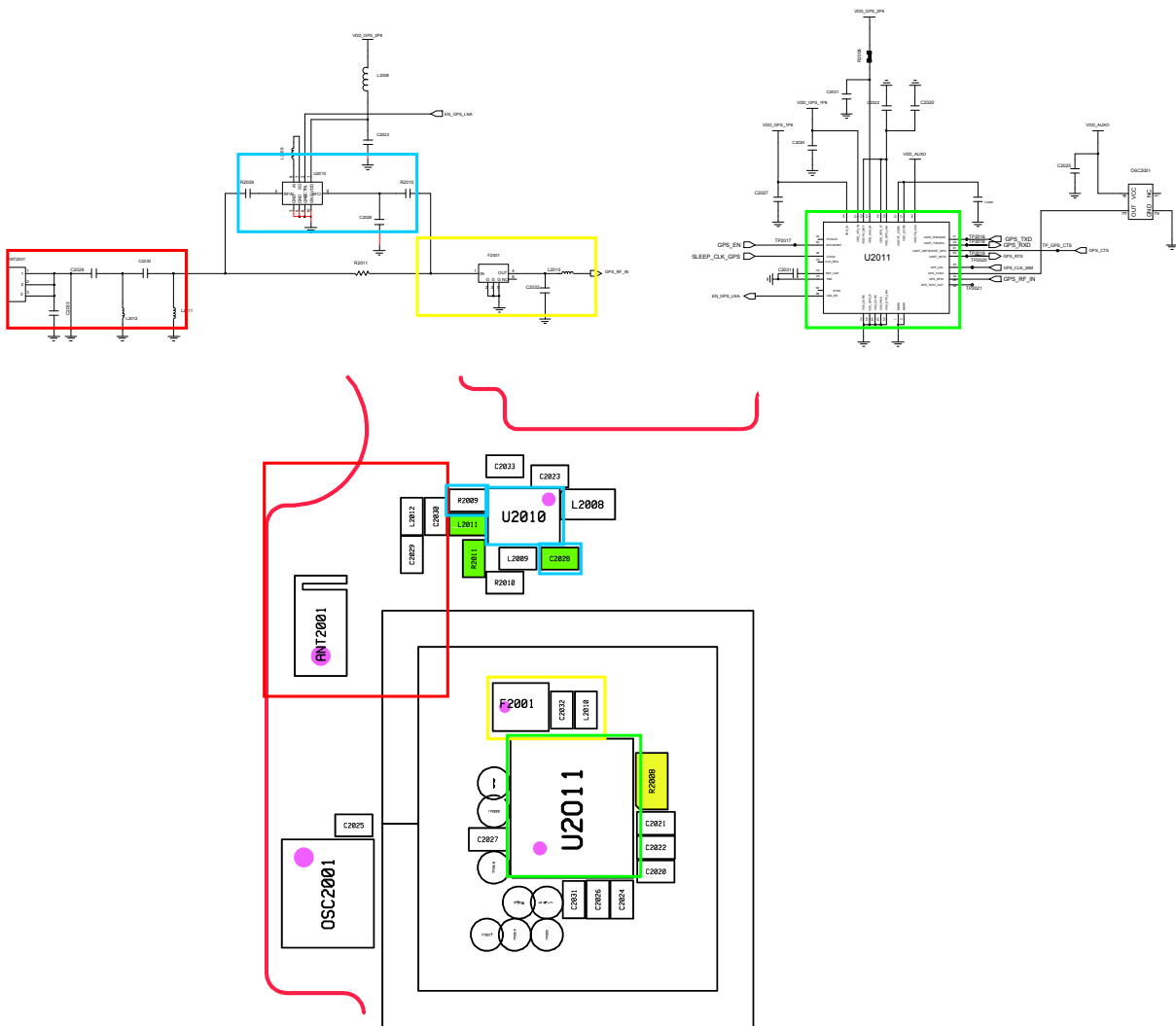
8-4-11. BT/WIFI



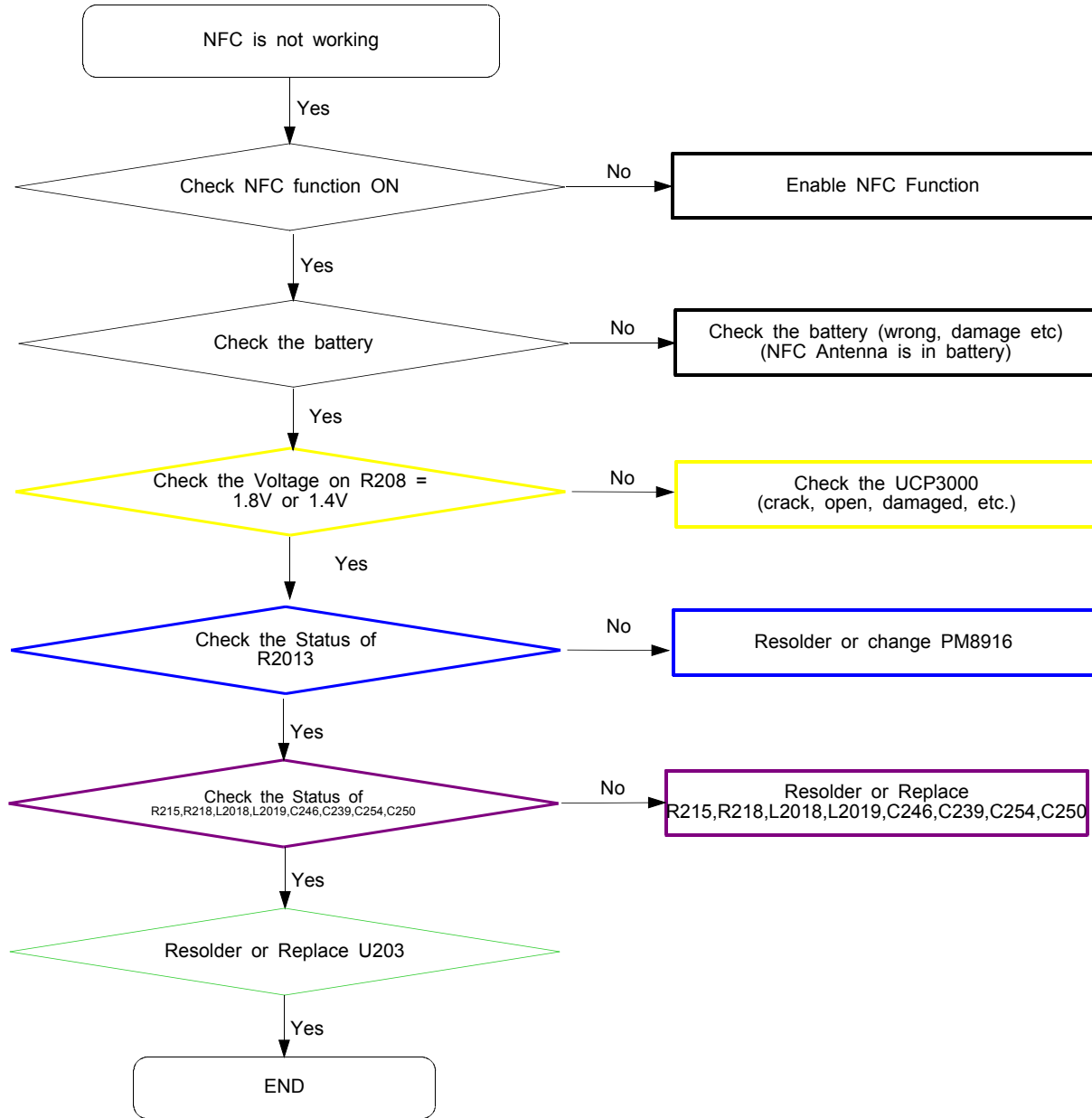


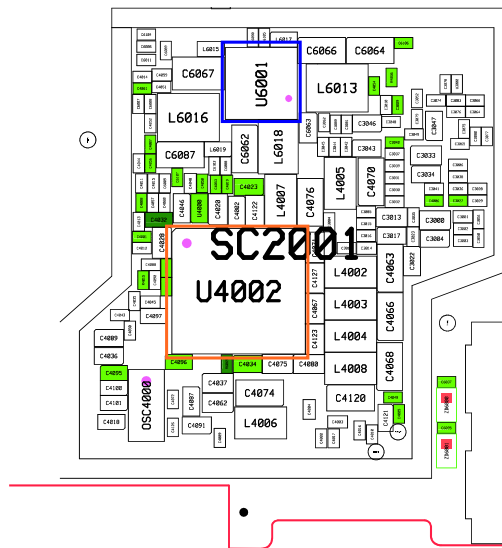
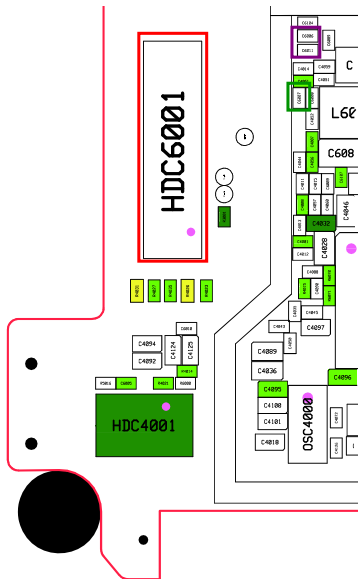
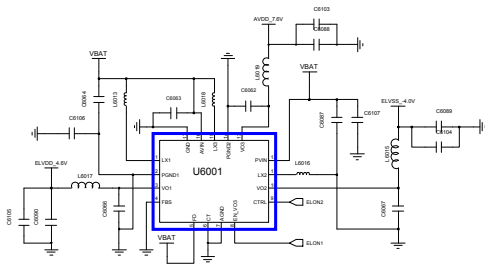
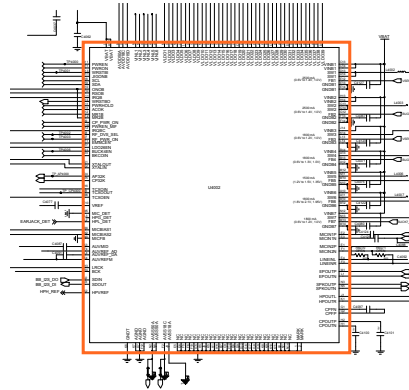
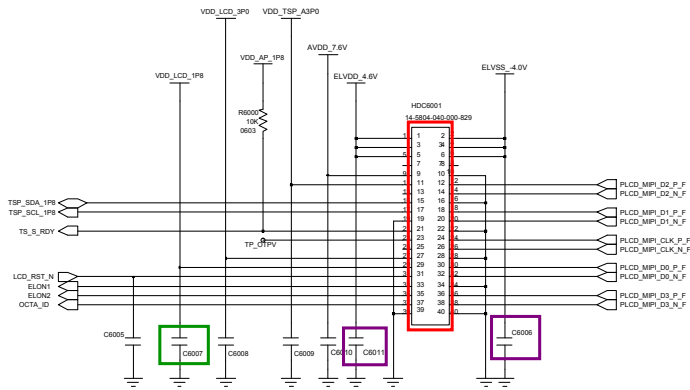
8-4-12. GPS



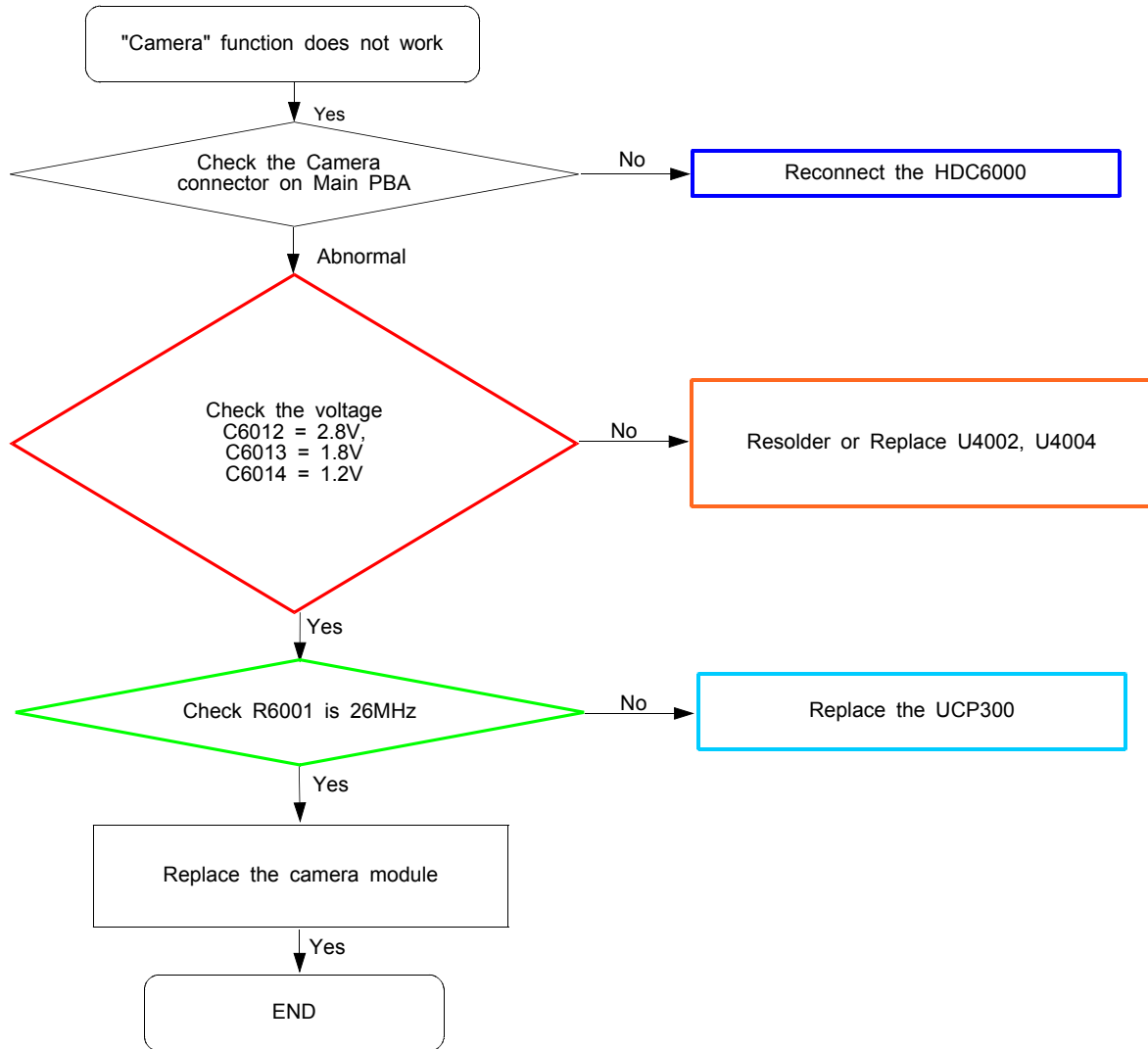


### 8-4-14. OCTA (LCD + TSP)



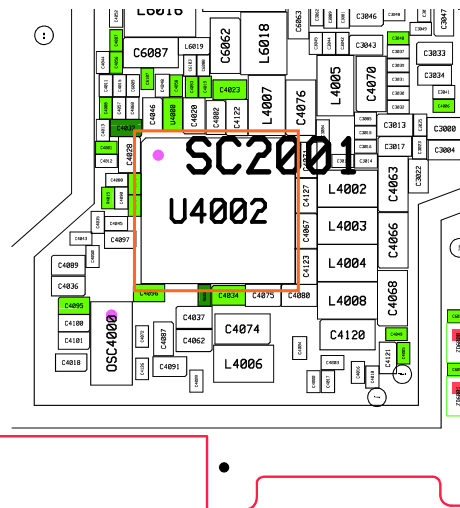
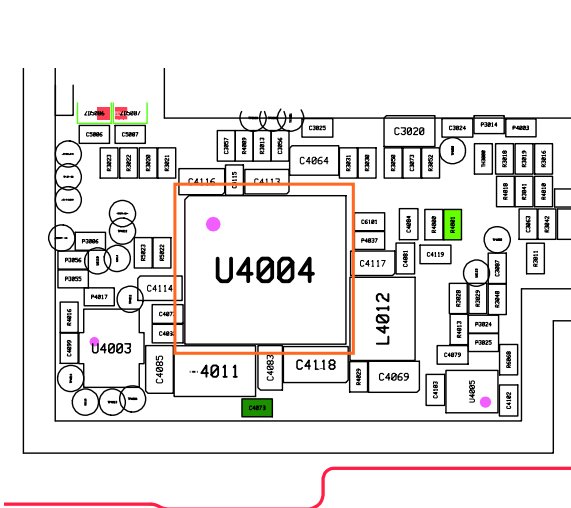
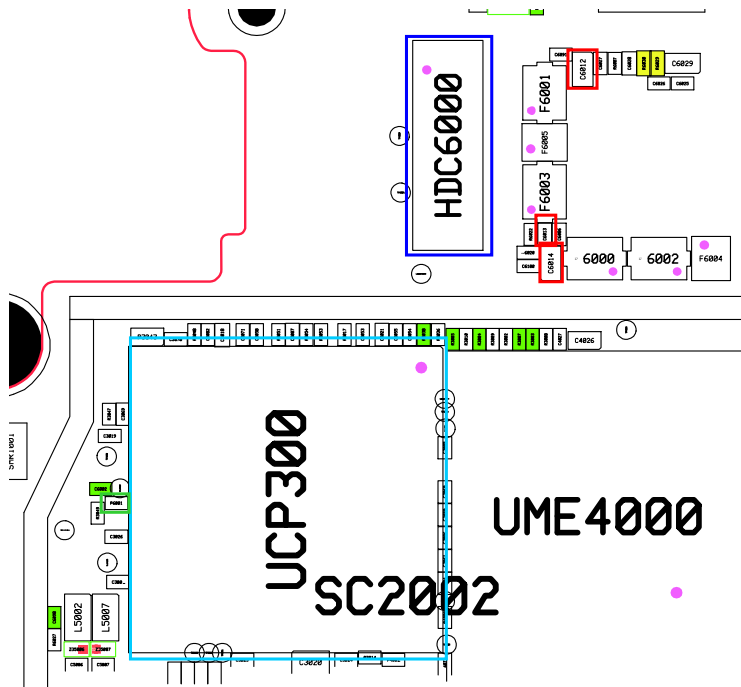


8-4-15. 13M CAM

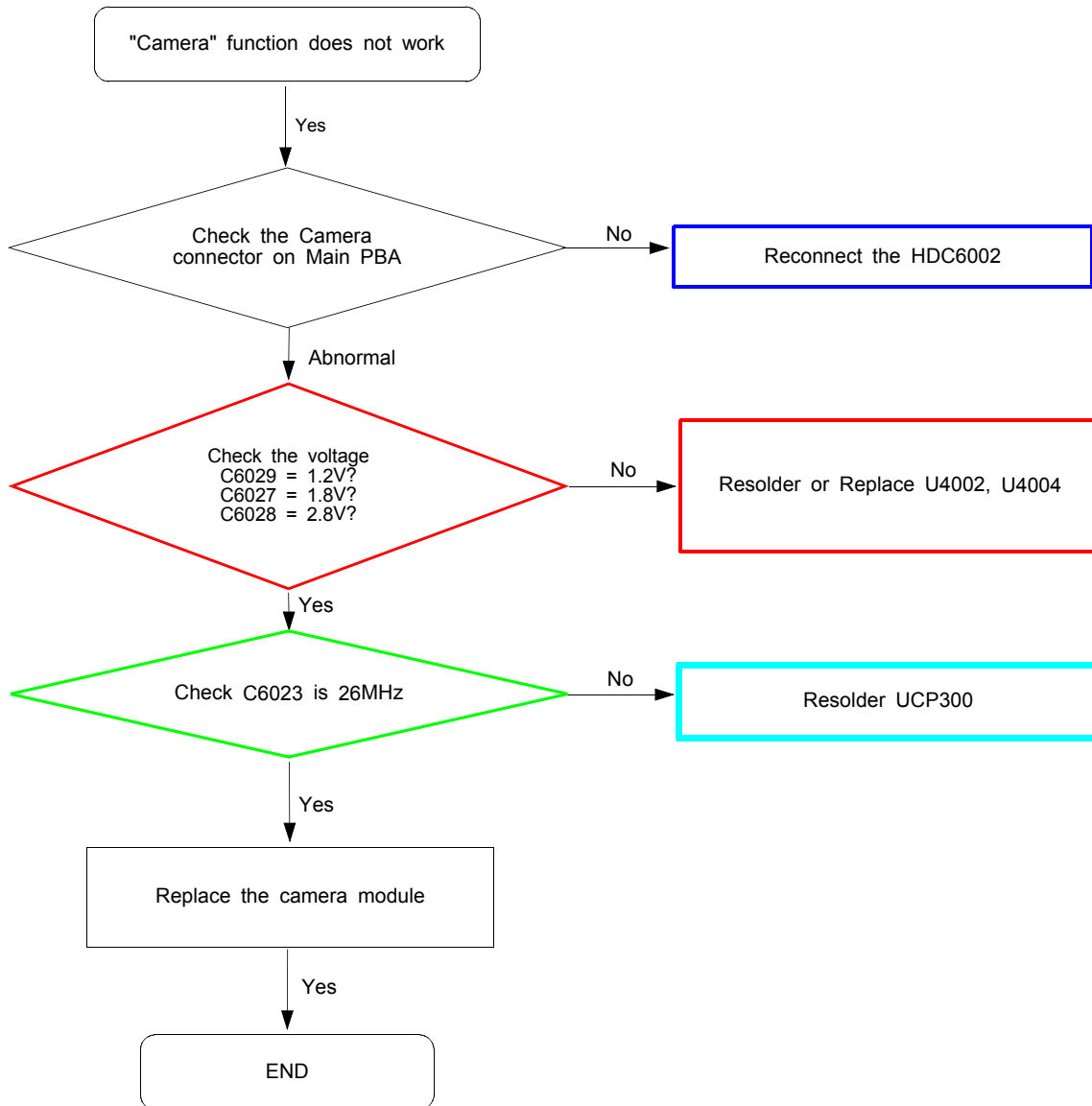


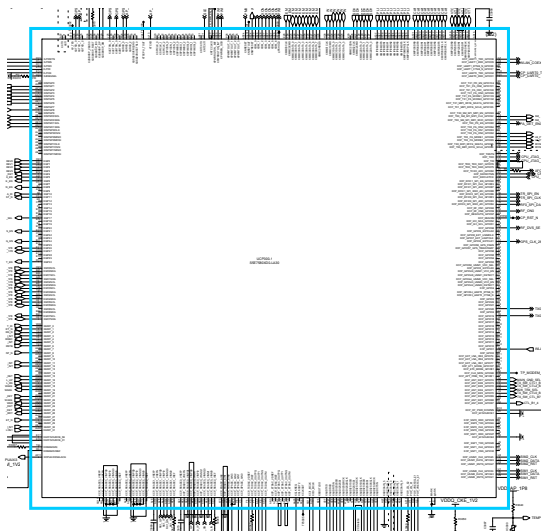
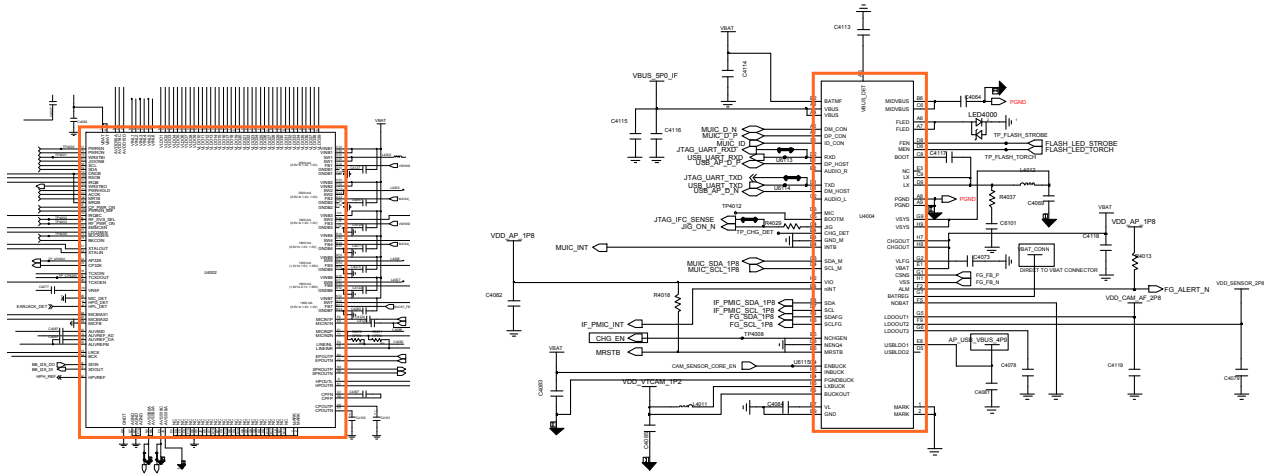
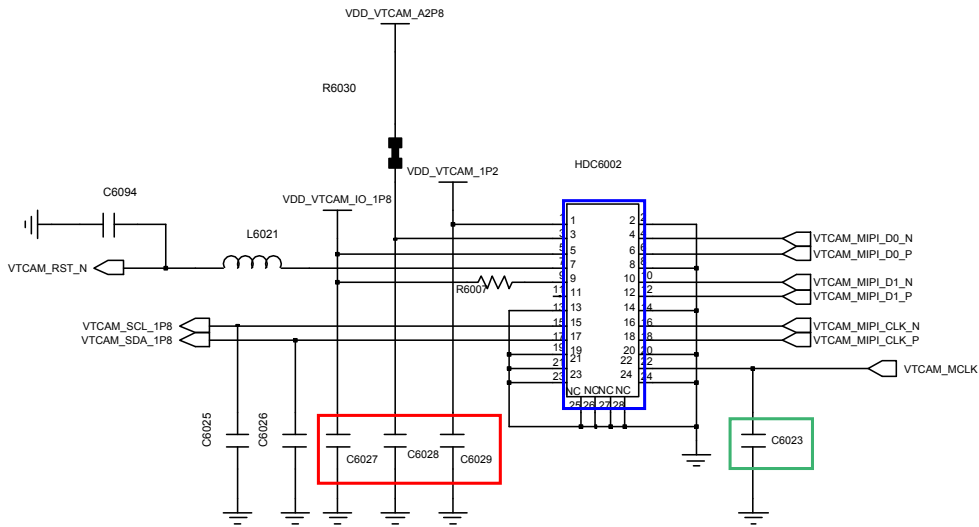


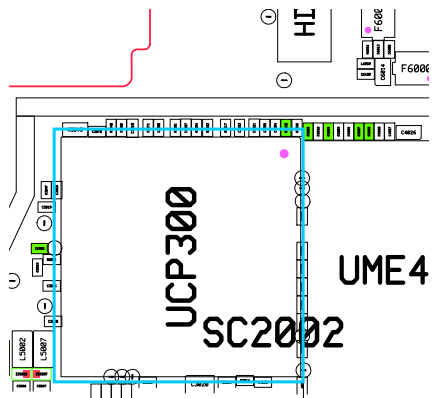
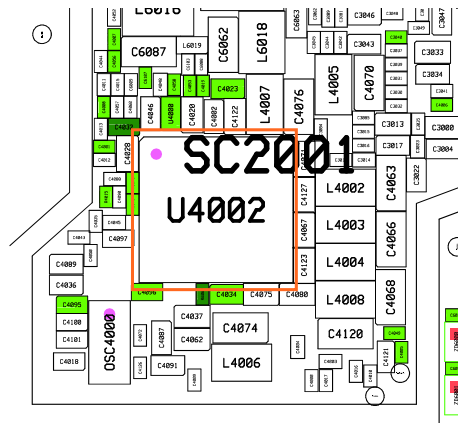
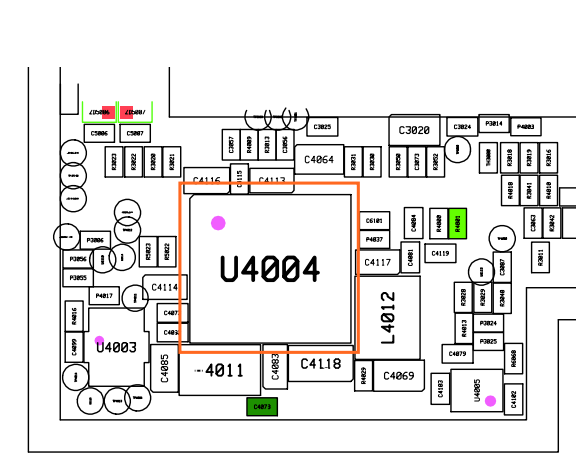
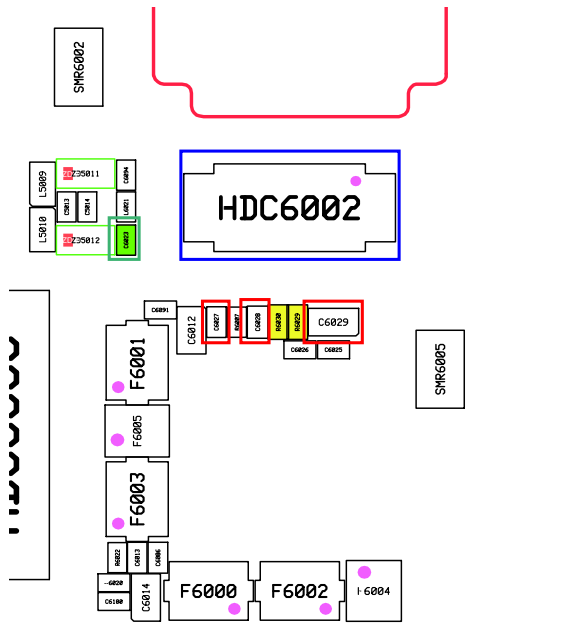




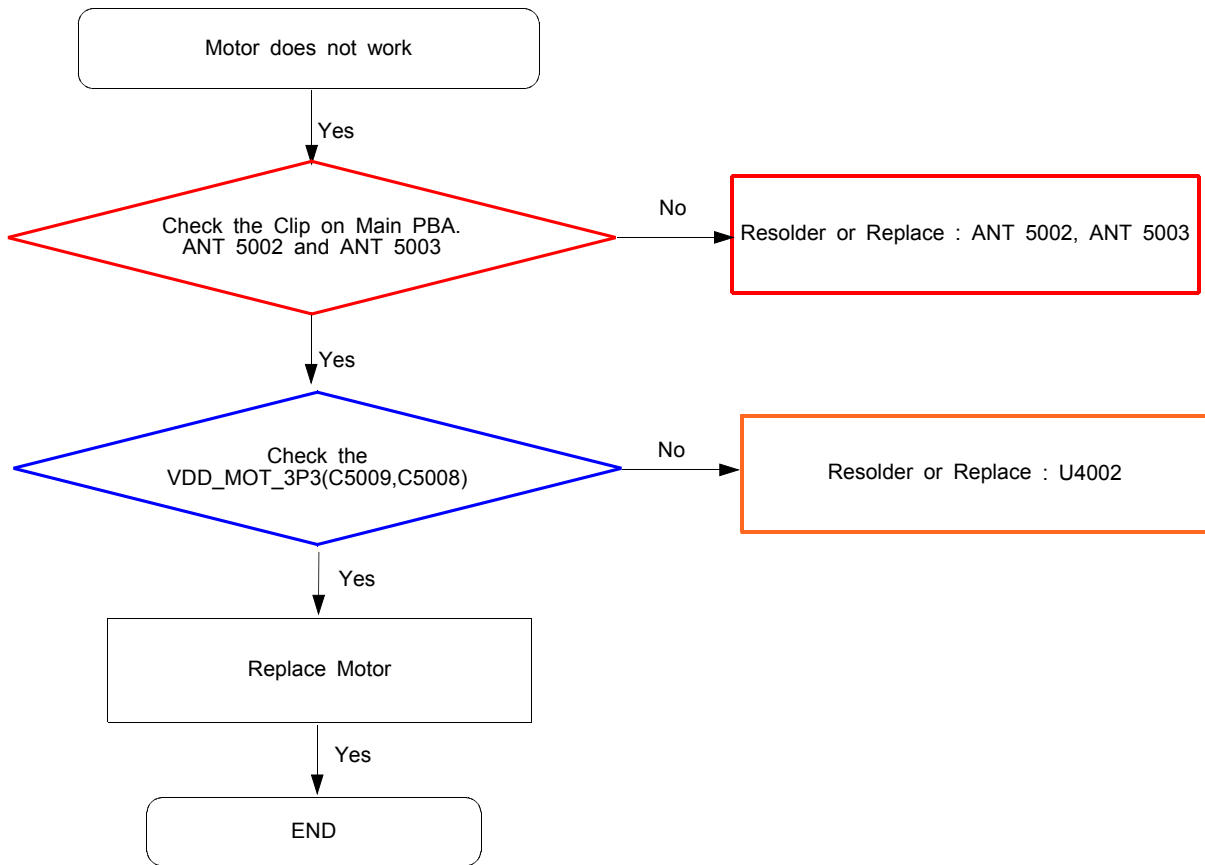
8-4-16. VT CAM

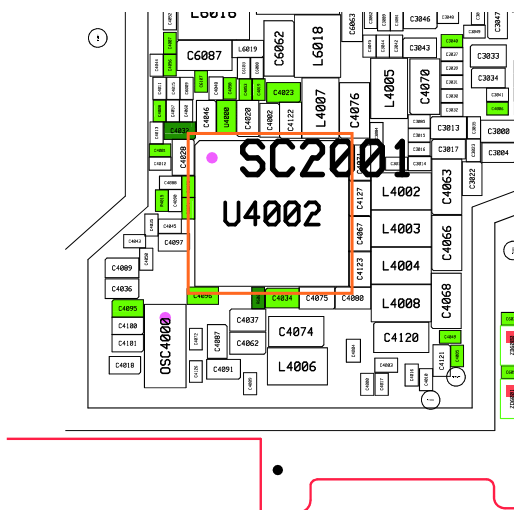
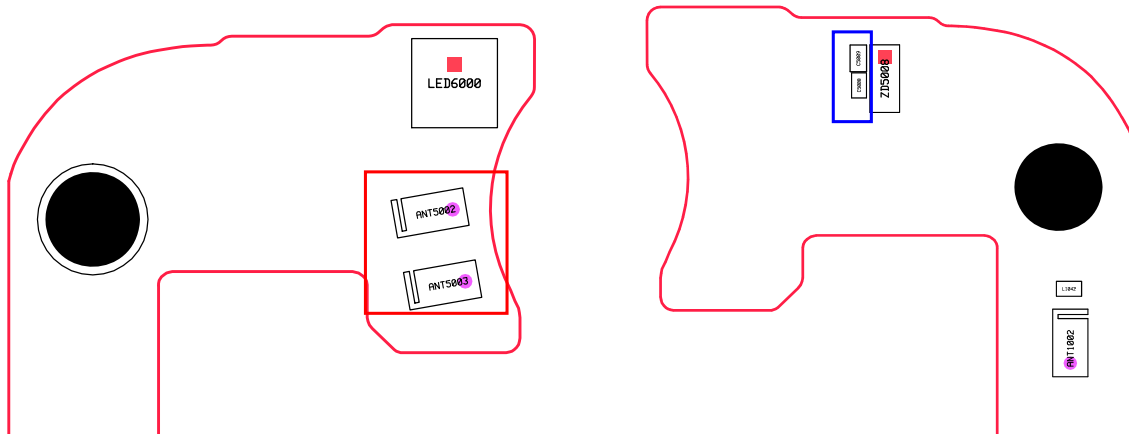
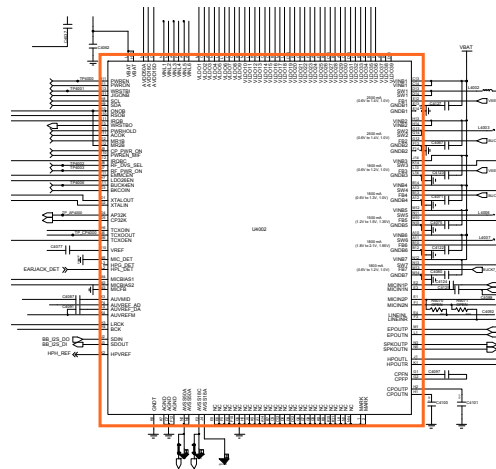
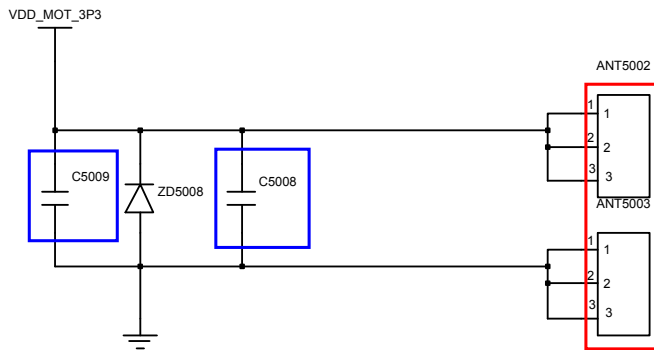




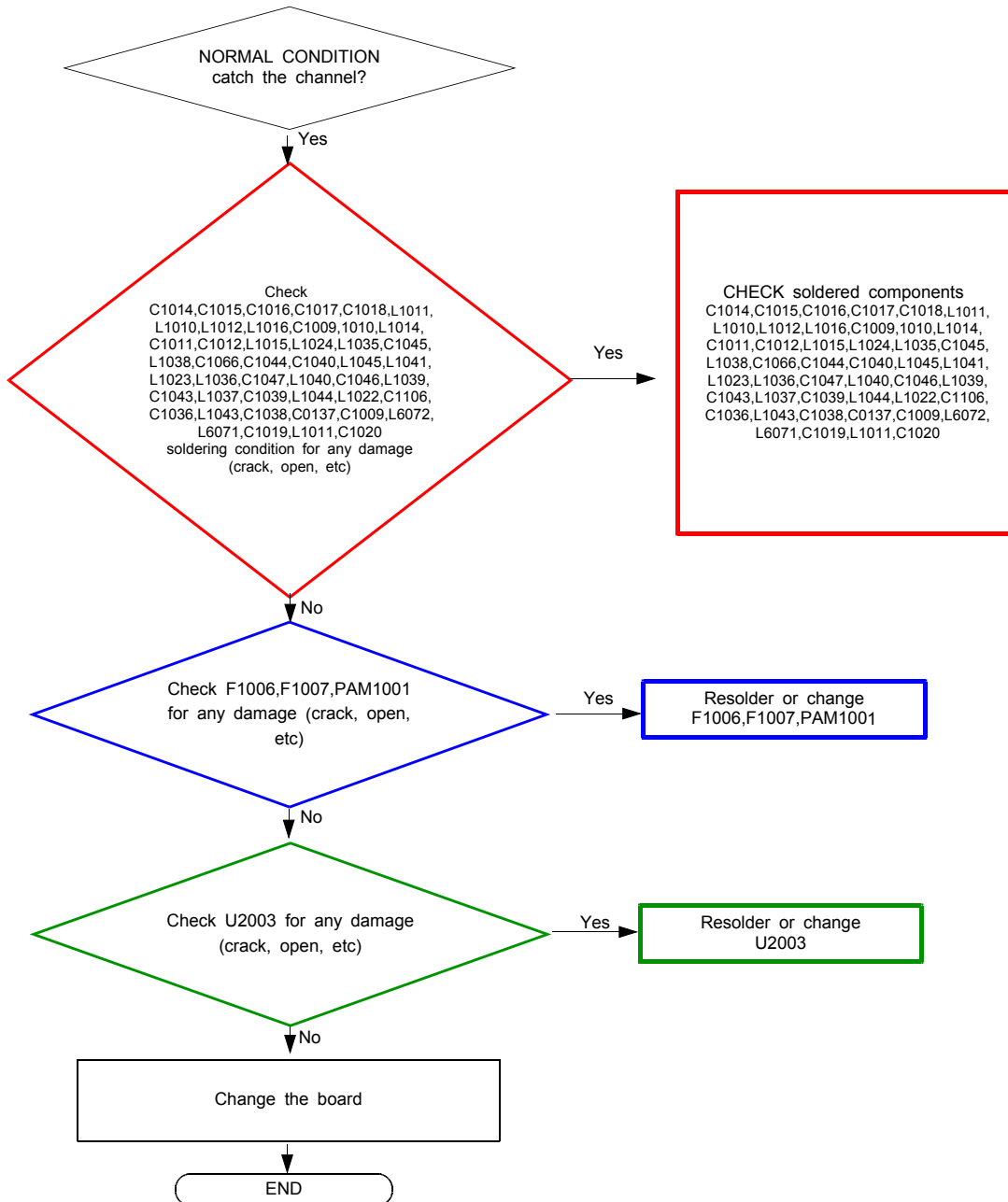


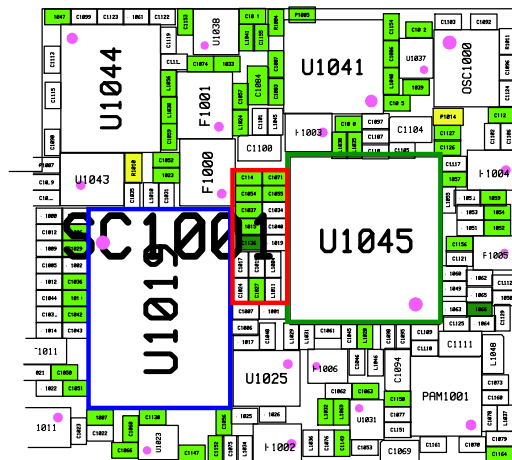
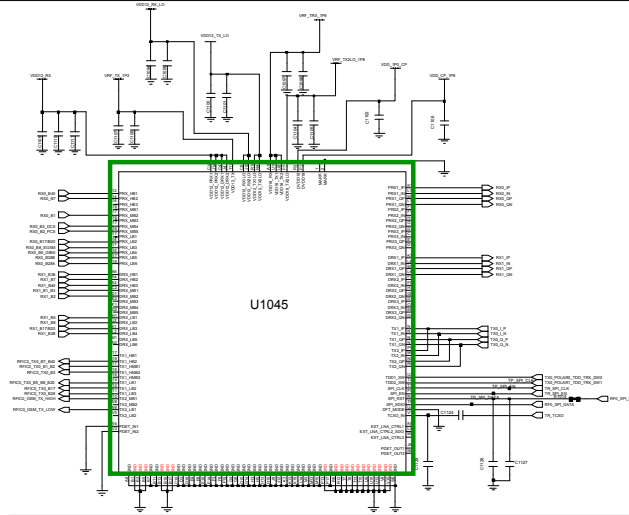
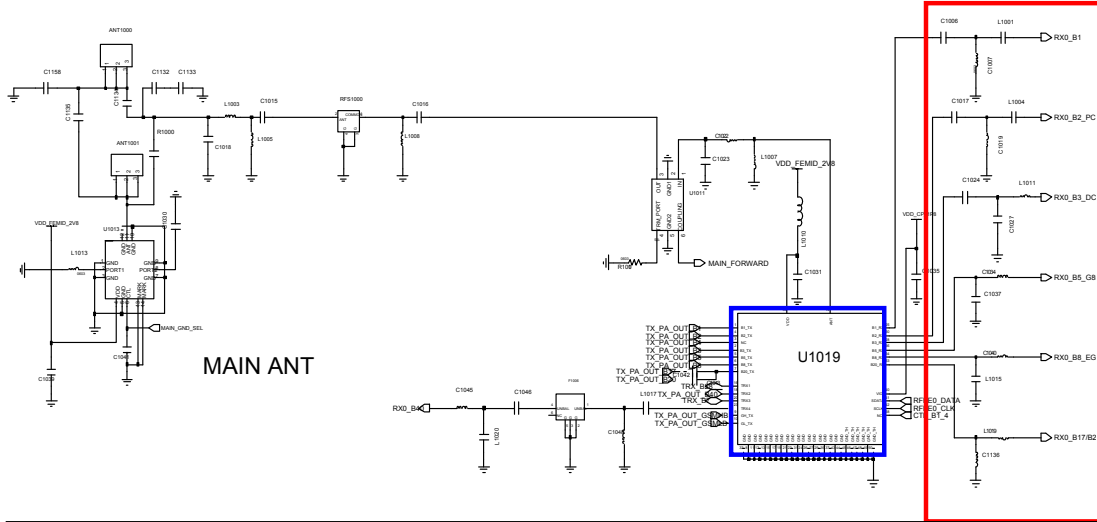
8-4-17. Motor





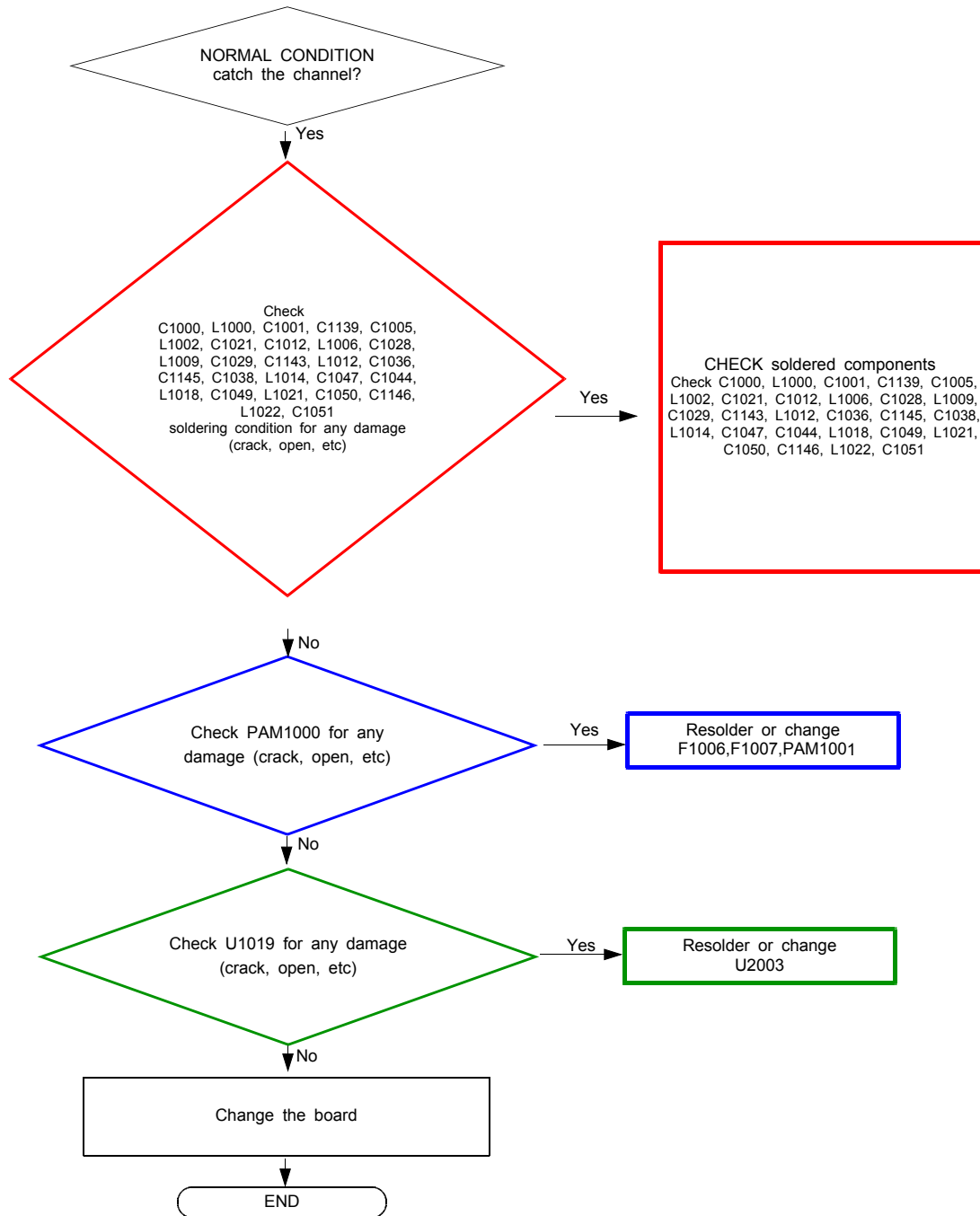
8-4-19. GSM 850,900,1800,1900 / WCDMA BAND 1,2,5,8 / LTE BAND 1,3,5,8,20 RX

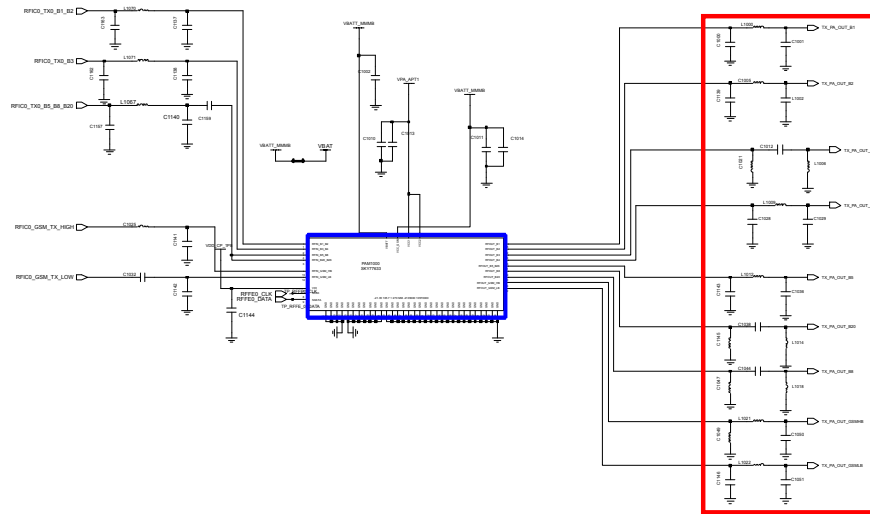




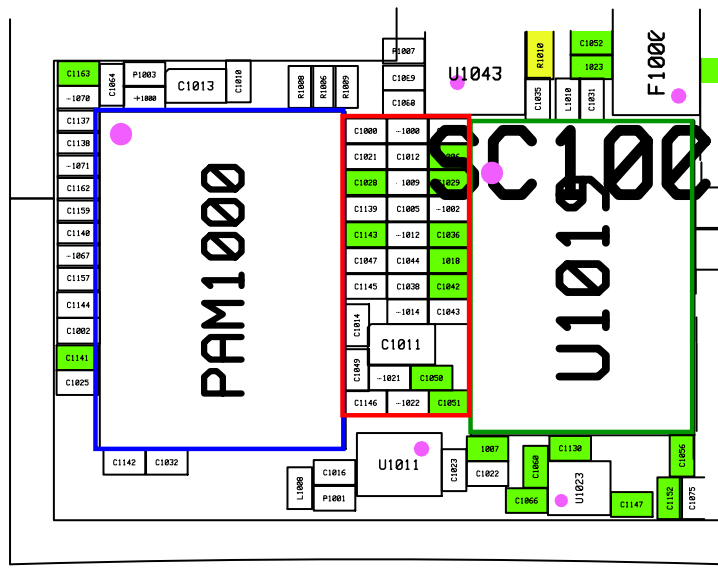
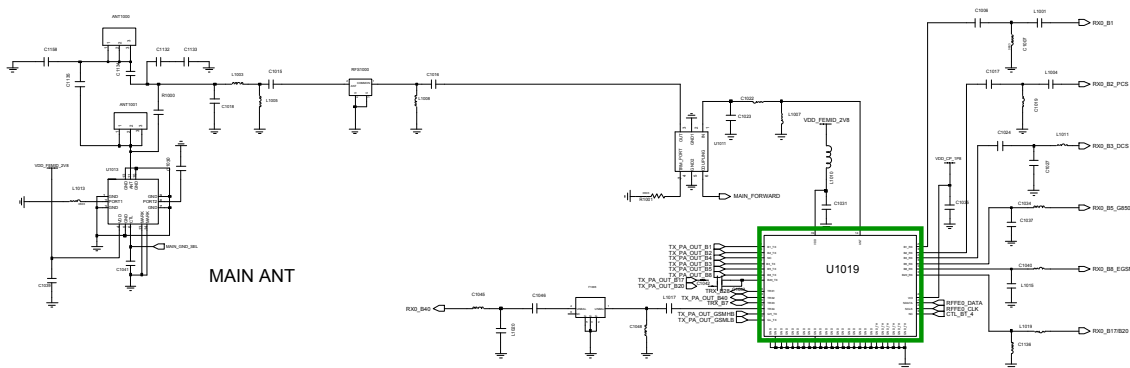


8-4-20. GSM 850,900,1800,1900 / WCDMA BAND 1,2,5,8 / LTE BAND 1,3,5,8,20 TX

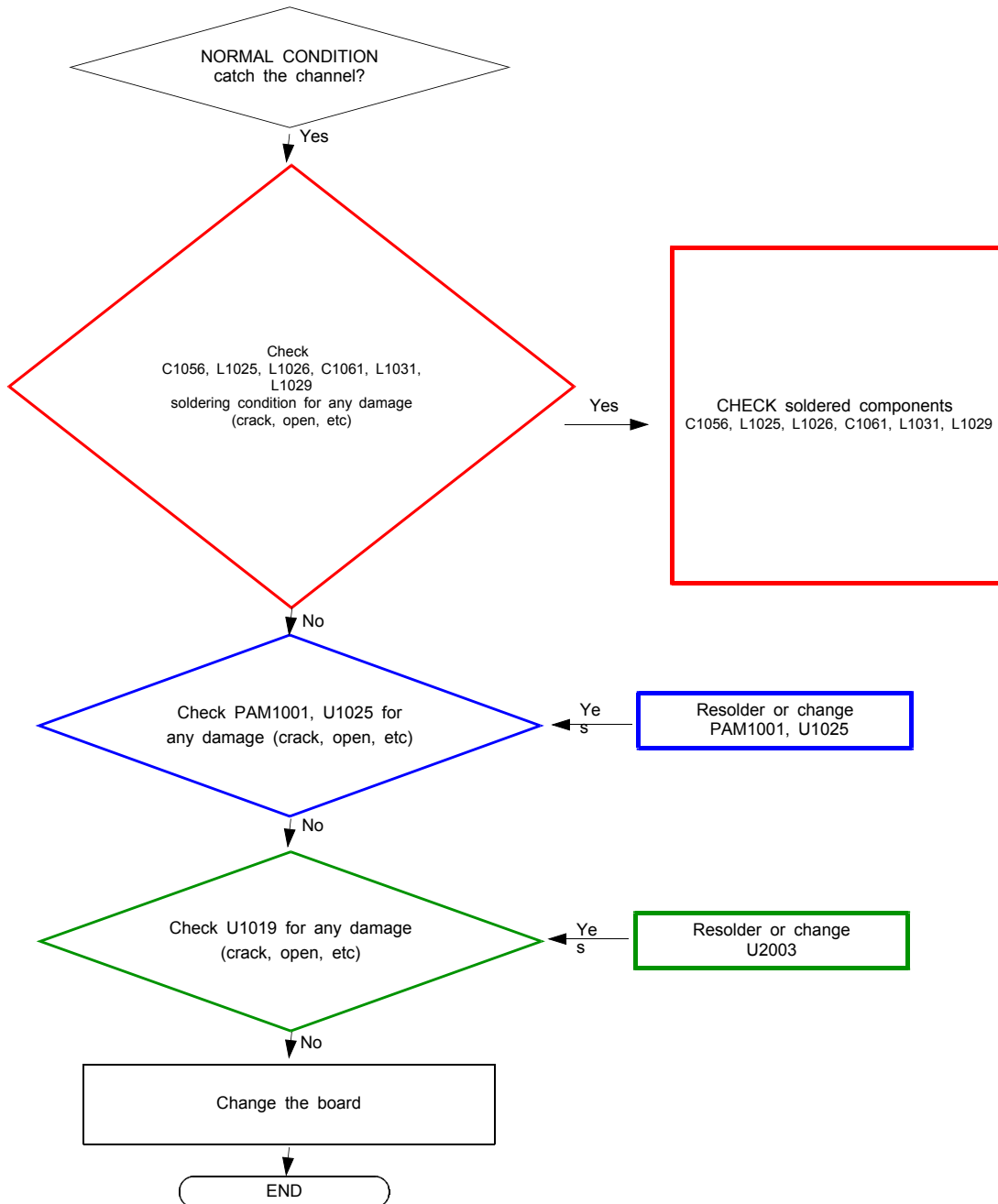


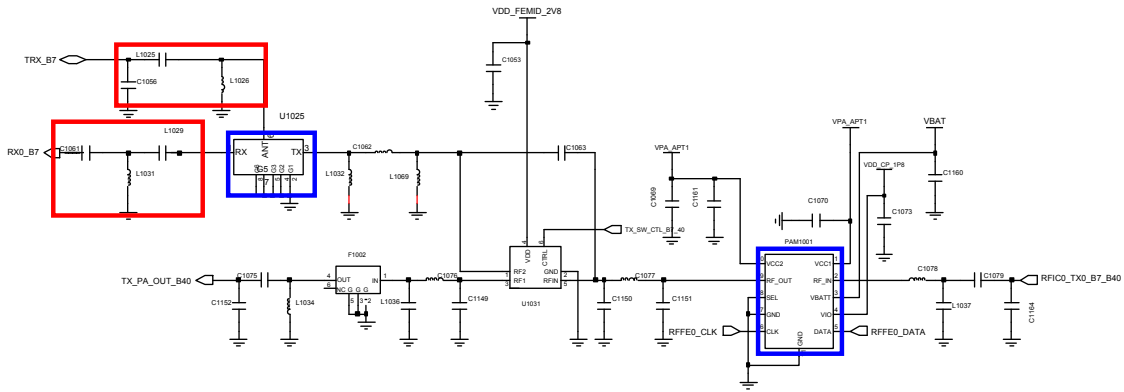


B1/2/3/5/8/20, GSM QUAD MMB PA

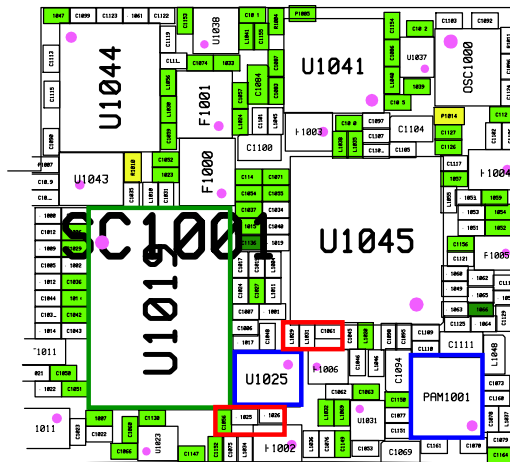
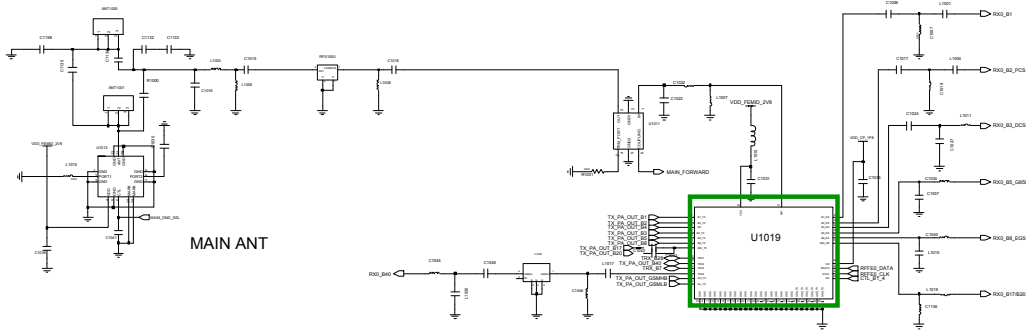


8-4-21. LTE BAND 7 RX

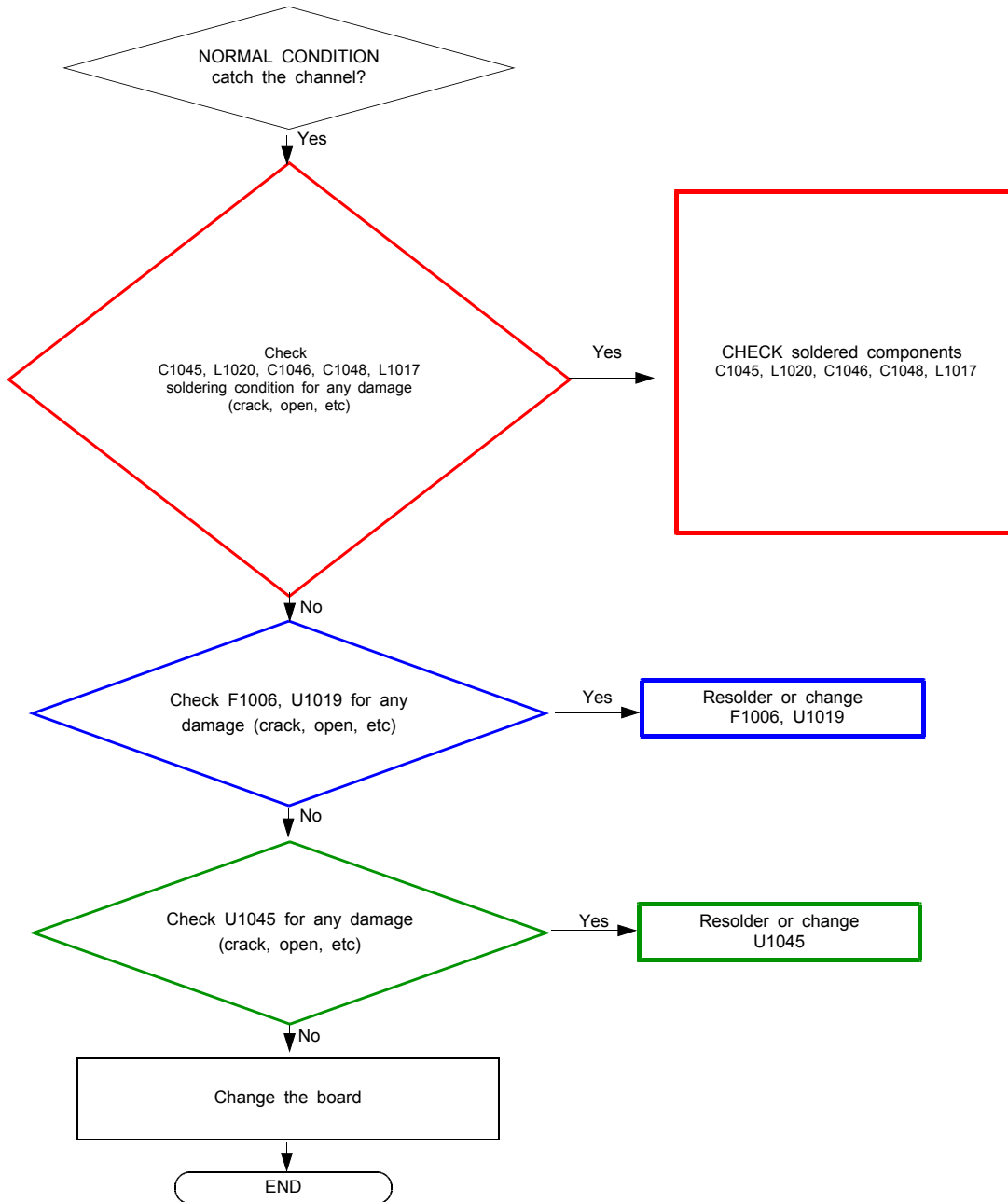


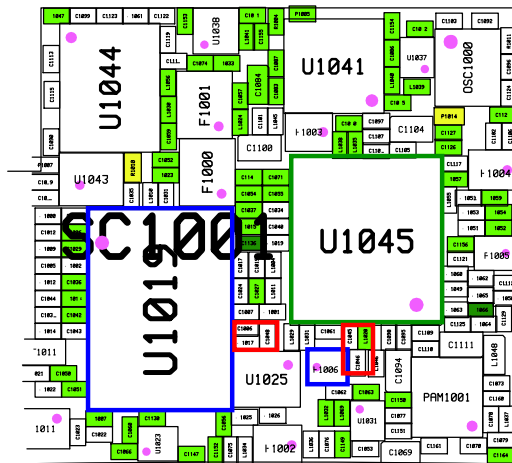
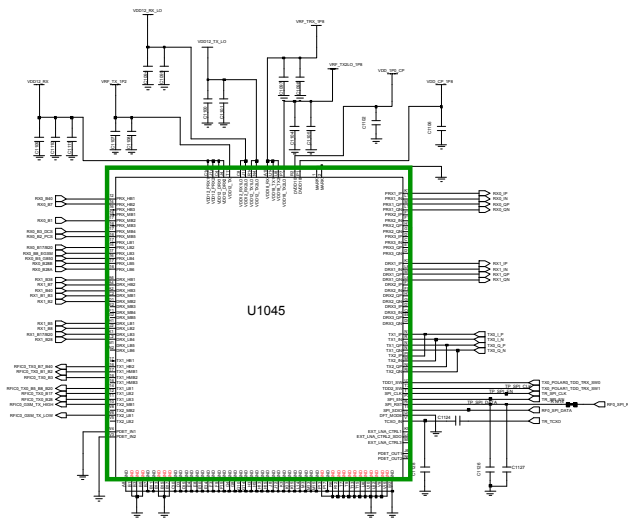
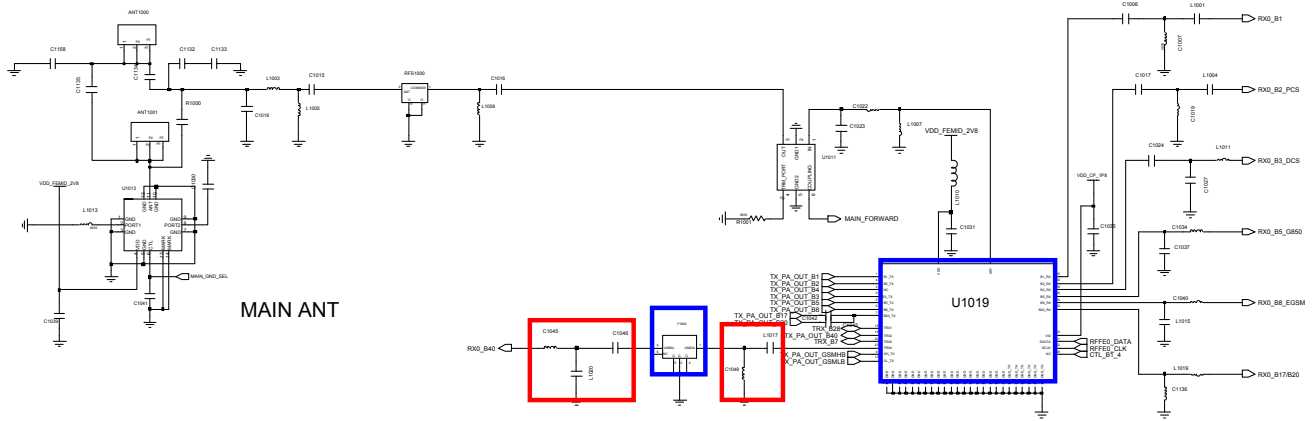


## B7/B40 HIGH-BAND PA

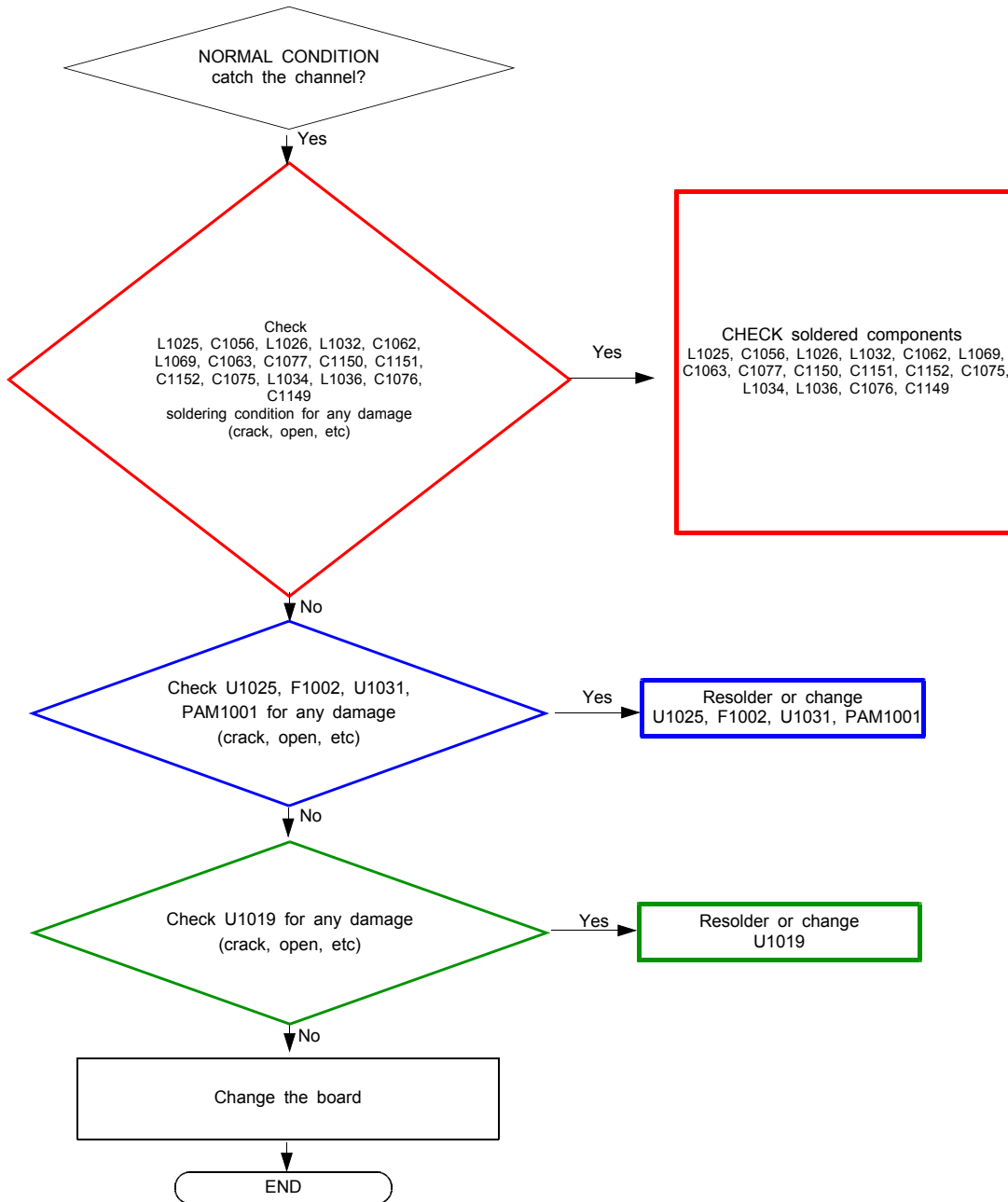


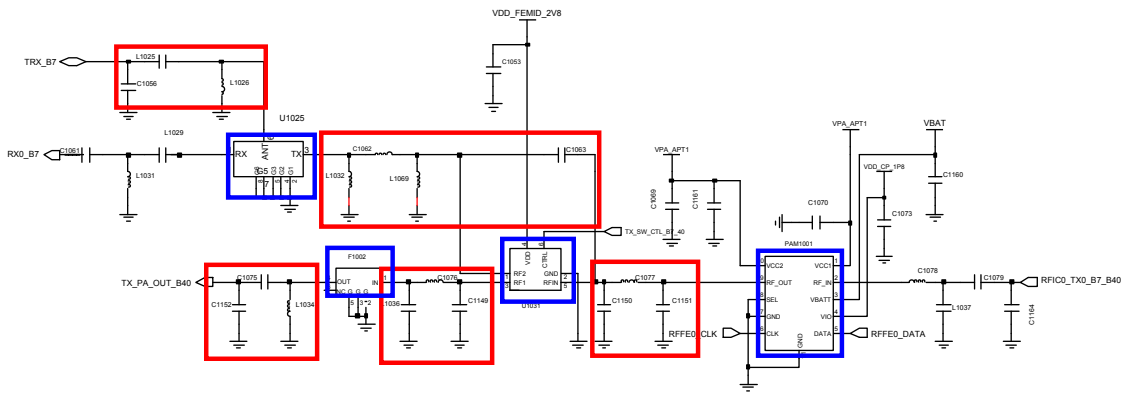
8-4-22. LTE BAND 40 RX



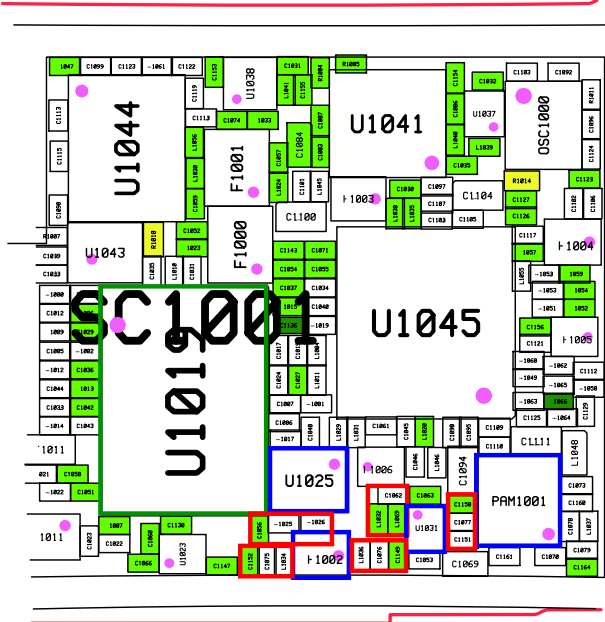
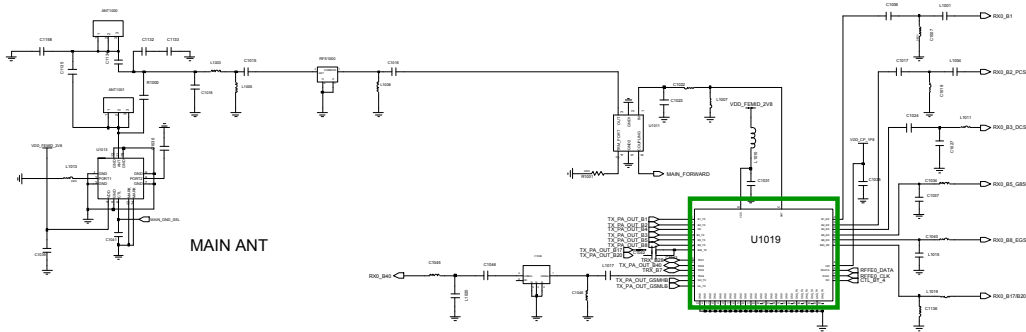


### 8-4-22. LTE BAND 7,40 TX





## B7/B40 HIGH-BAND PA





### 8-5. Service Schematics

- NC point(Top view)
- UCP3000(AP)

