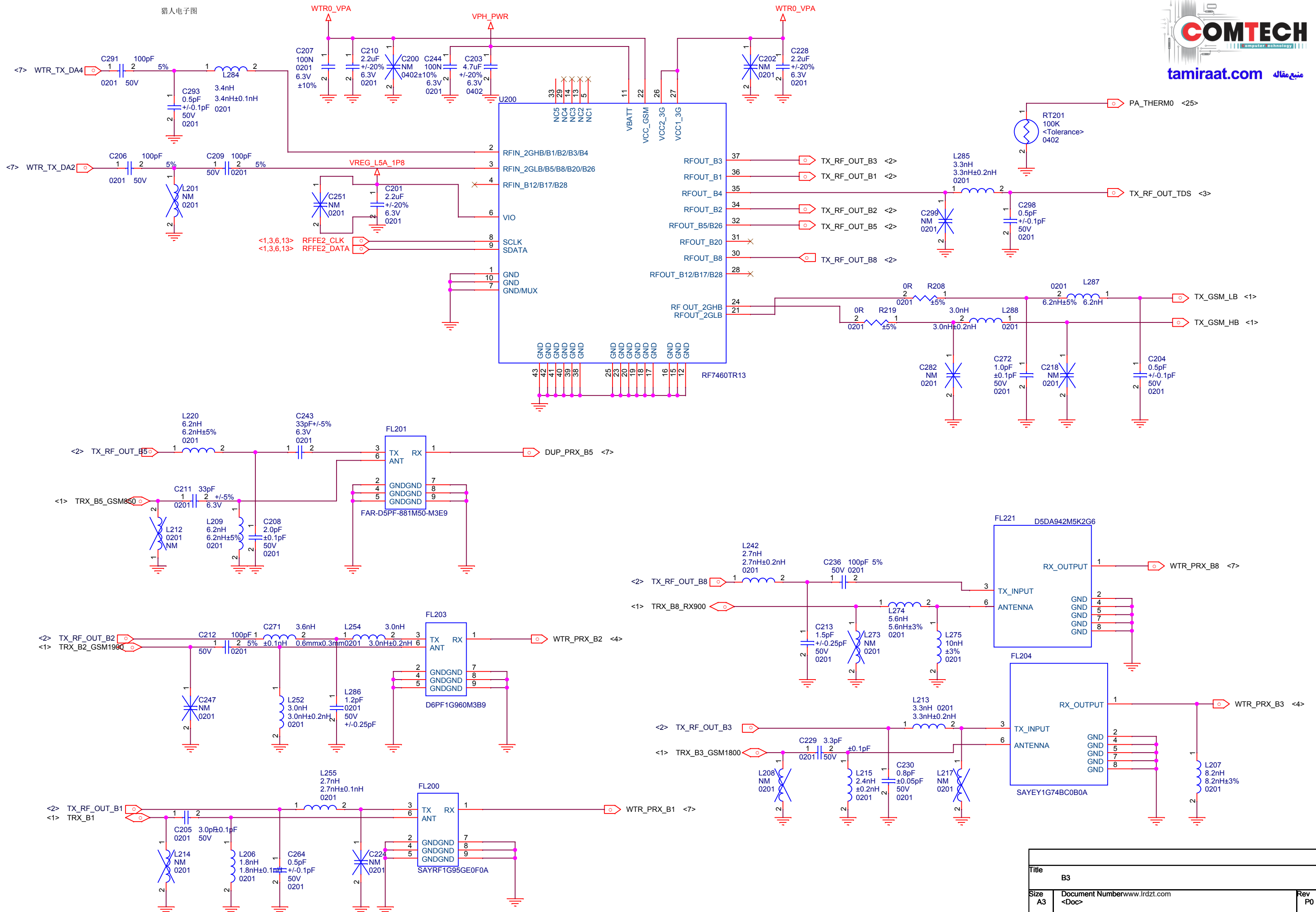
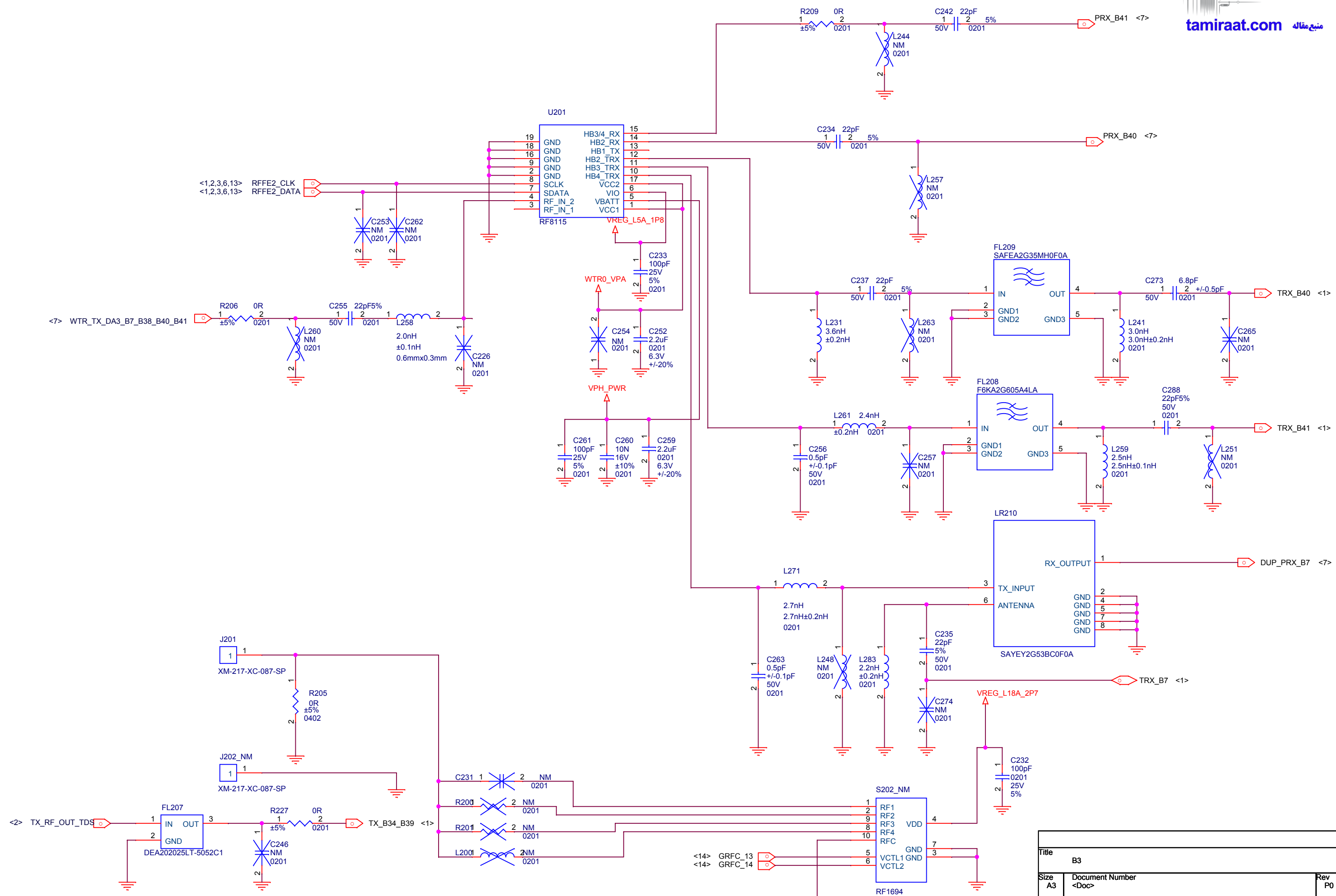


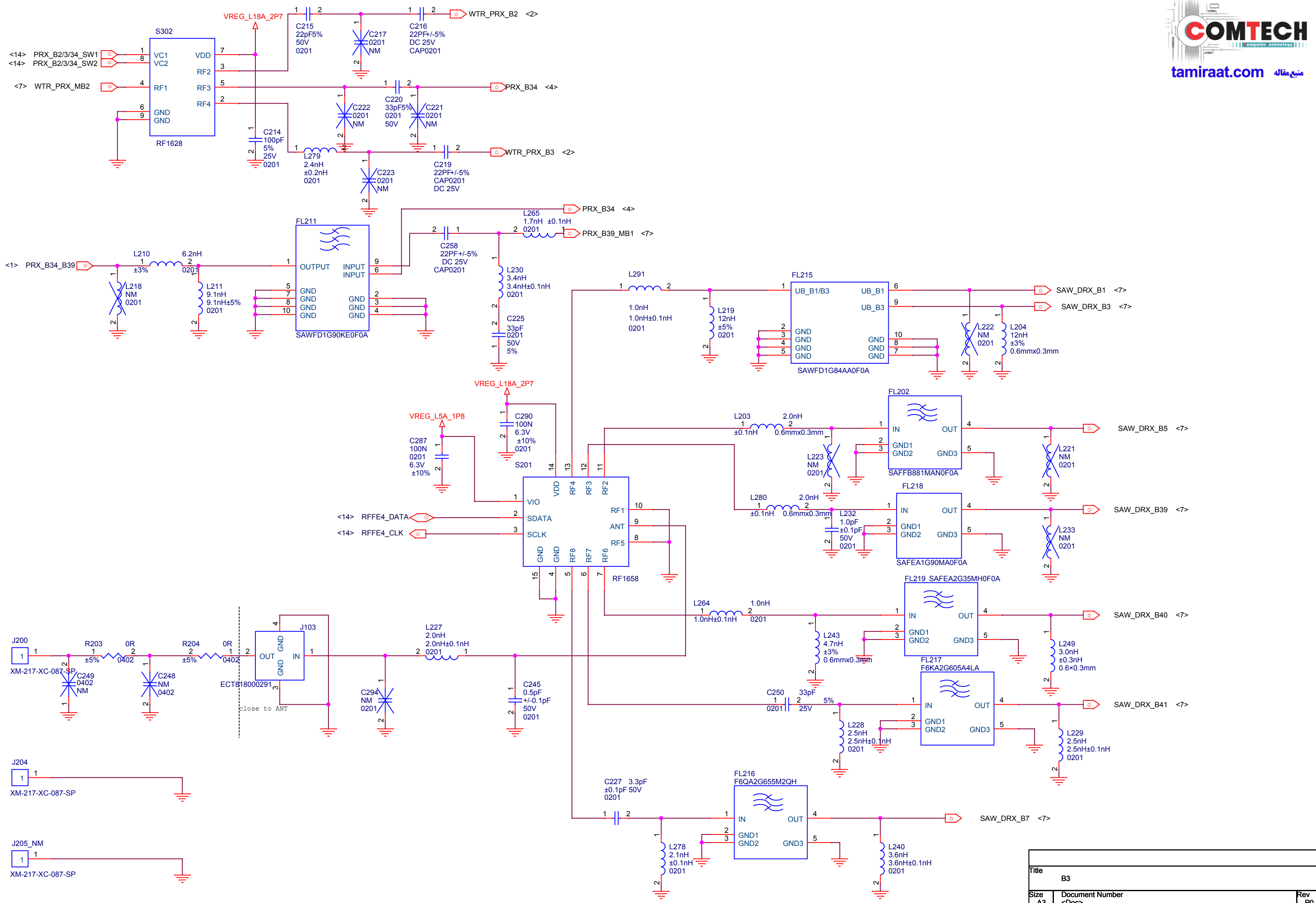
Title		
B3		
Size	Document Number	Rev
A3	<Doc>	P0
Date:	Tuesday, March 15, 2016	Sheet 1 of 41



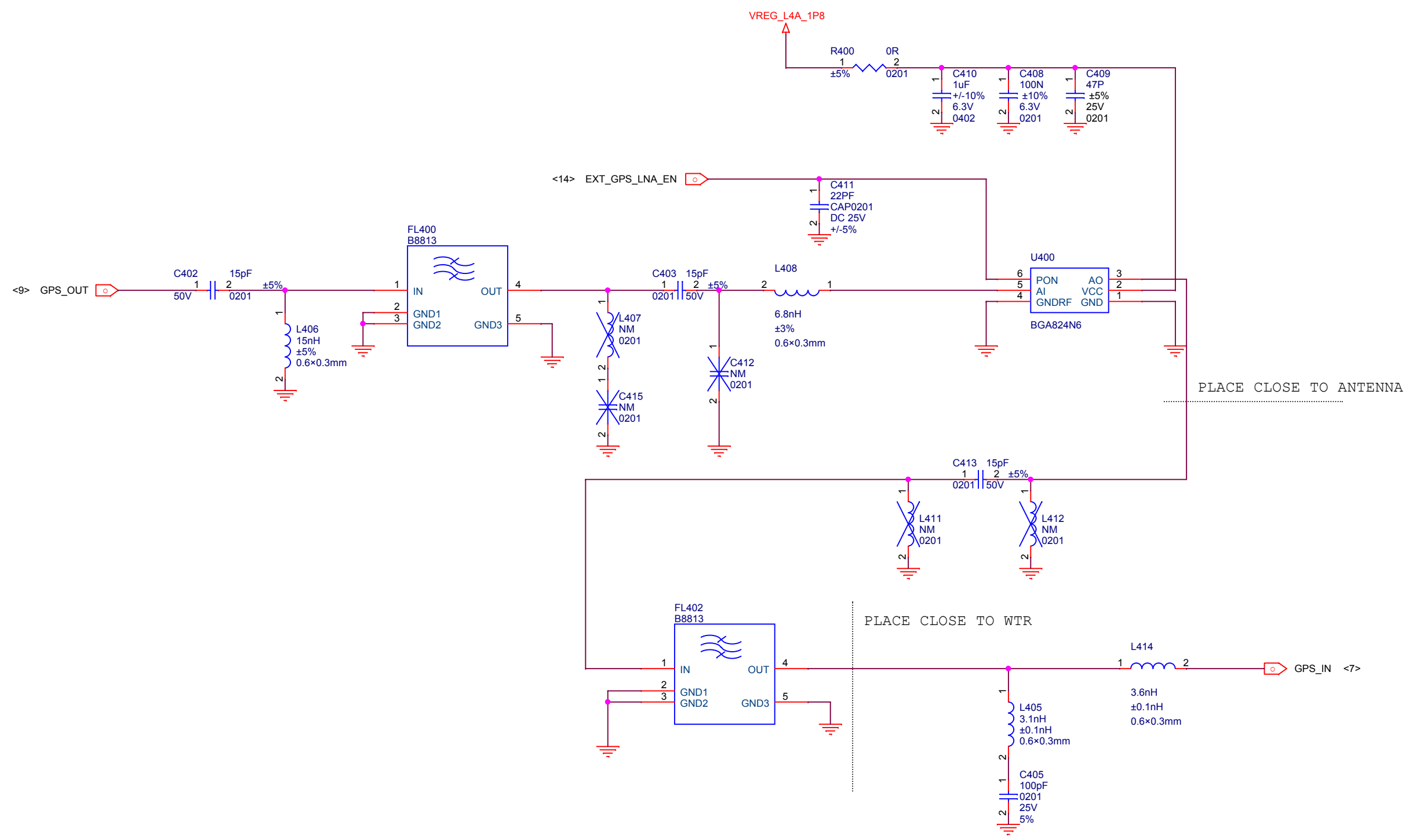
Title		
B3		
Size	Document Number	Rev
A3	www.lrdzt.com	P0
Date:		Sheet
Thursday, February 25, 2016		2 of 41



Title		
B3		
Size	Document Number	Rev
A3	<Doc>	P0
Date:	Thursday, February 25, 2016	Sheet 3 of 41

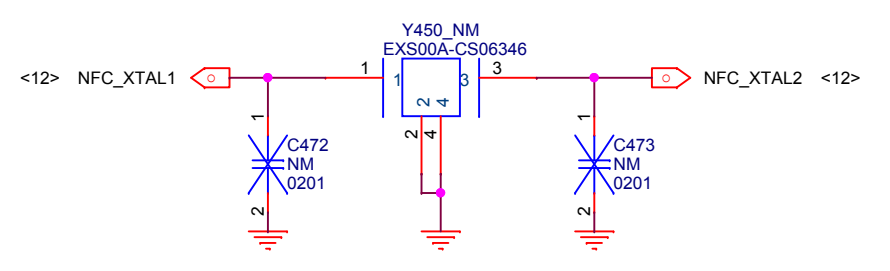
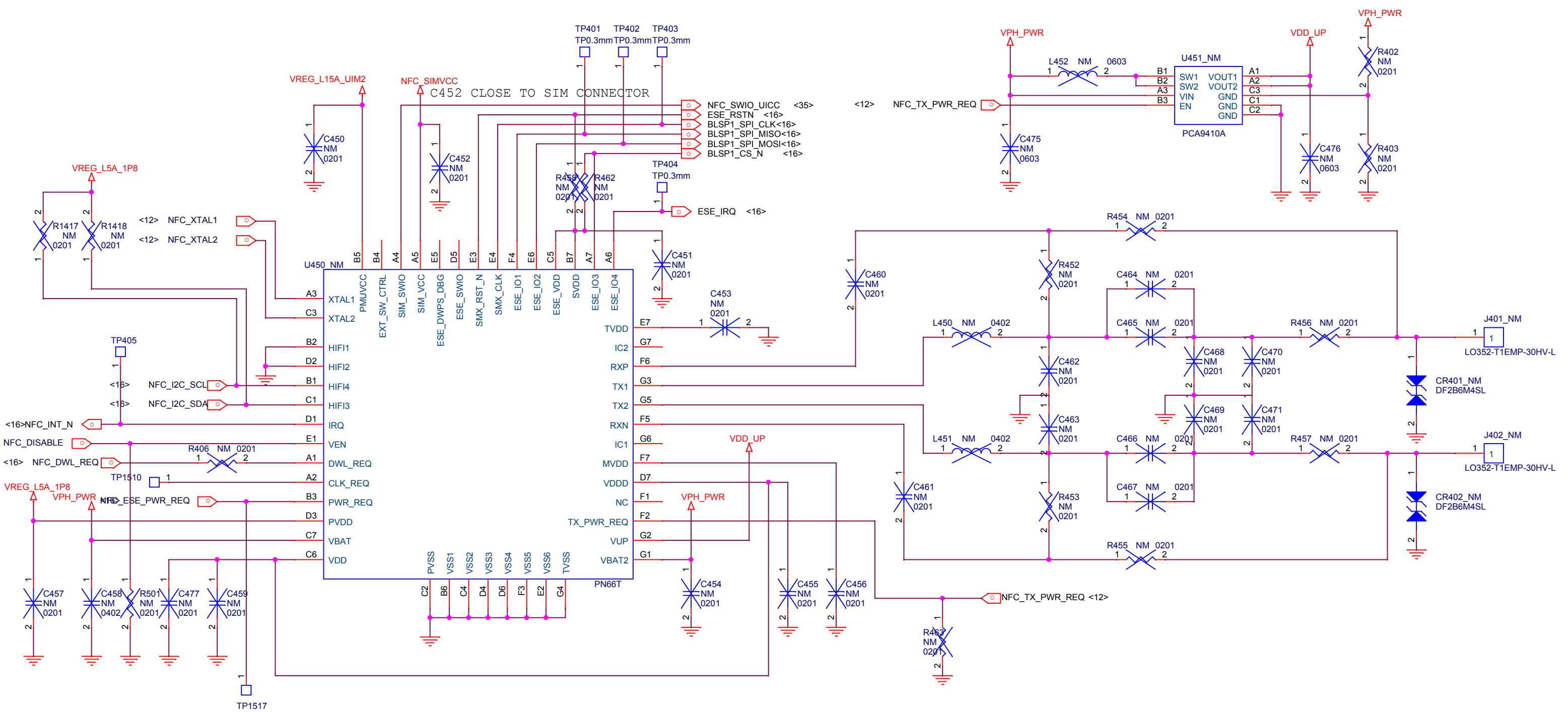


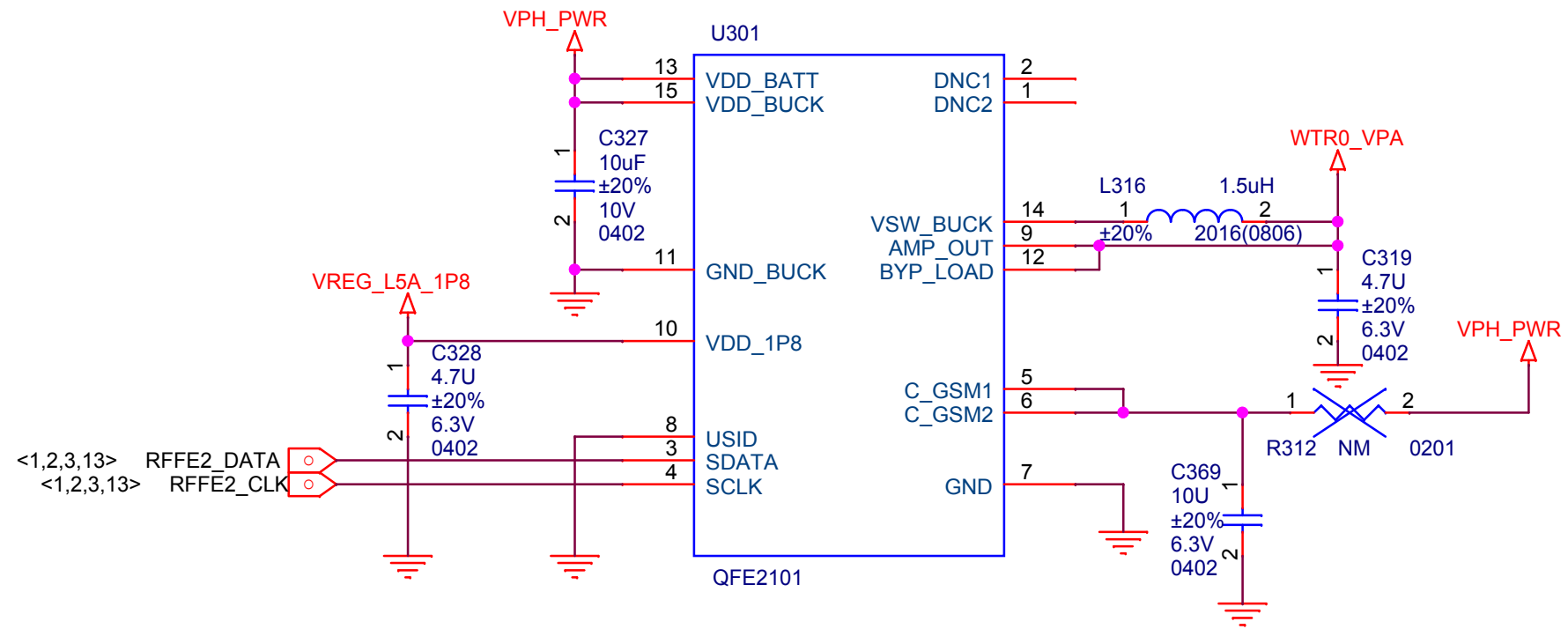
Title		
B3		
Size	Document Number	Rev
A3	<Doc>	P0
Date:	Thursday, February 25, 2016	Sheet 4 of 41



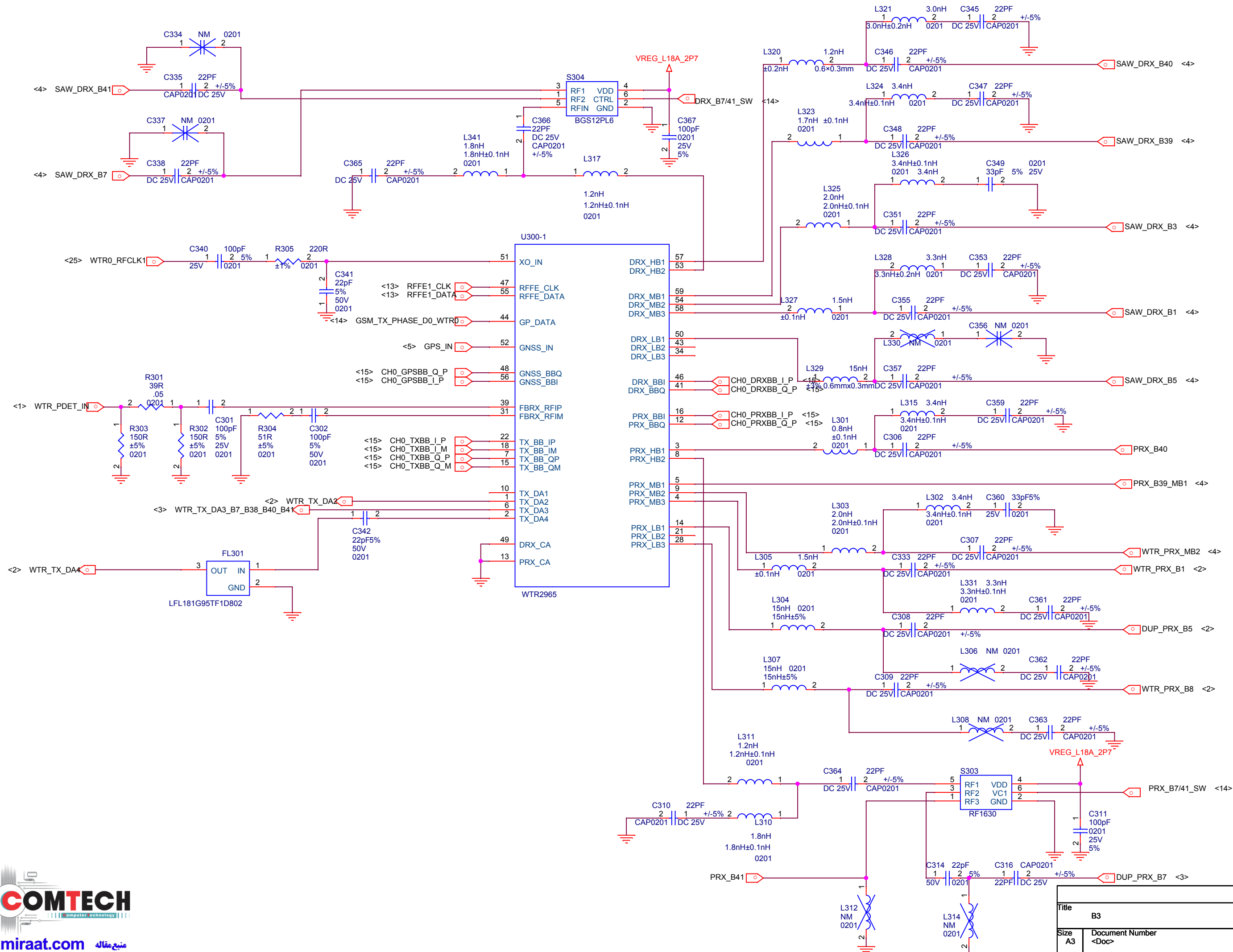
GPS

Title		
B3		
Size	Document Number	Rev
A3	<Doc>	P0
Date:	Tuesday, February 23, 2016	Sheet 5 of 41

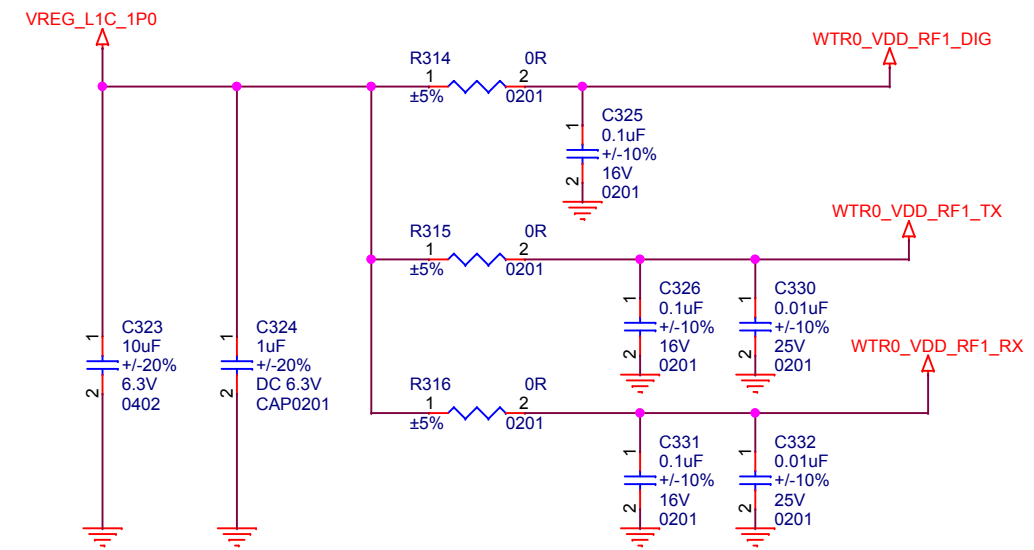
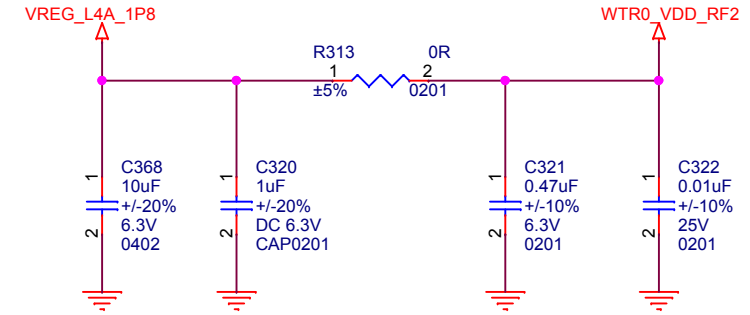
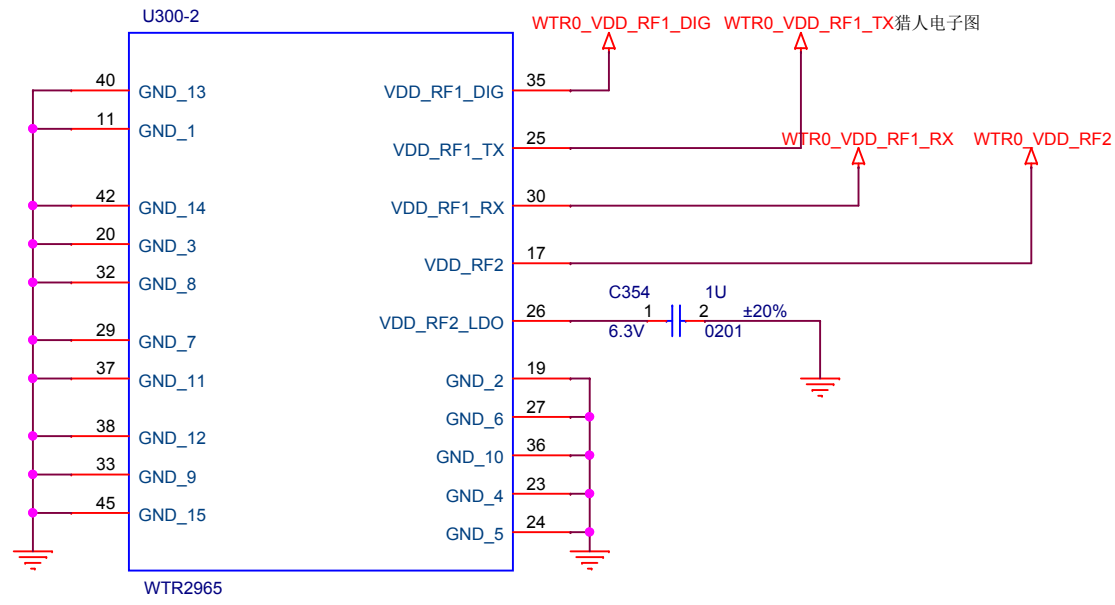


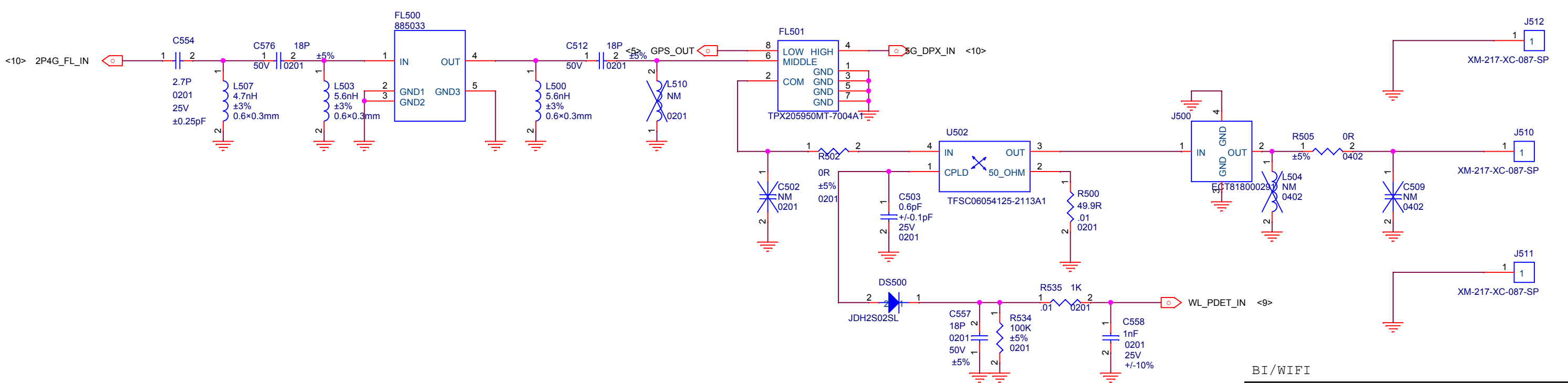
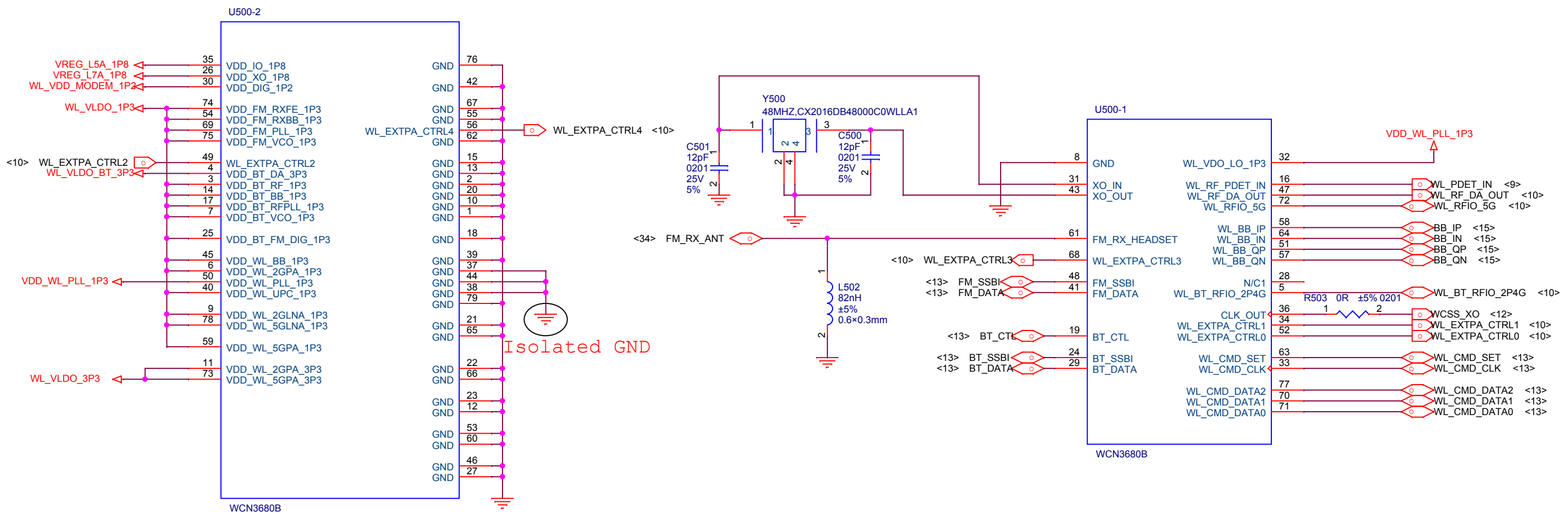


Title		
B3		
Size	Document Number	Rev
A4	<Doc>	P0
Date:	Friday, February 19, 2016	Sheet 7 of 41



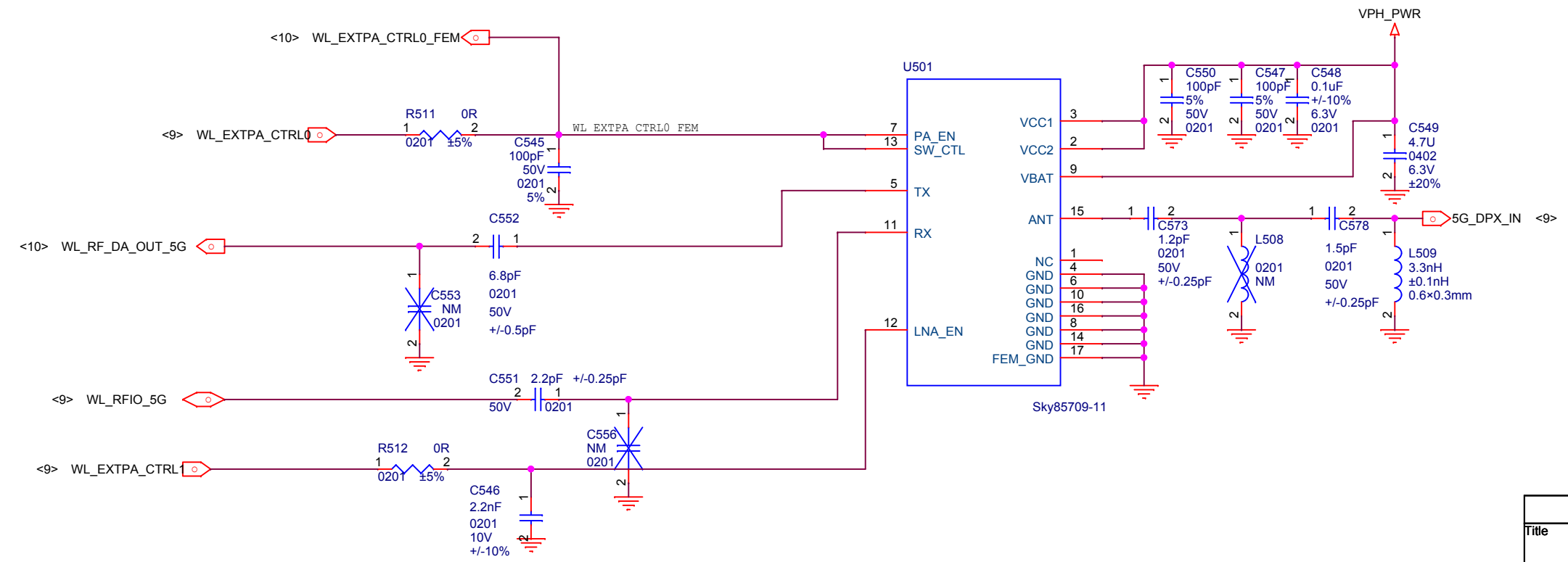
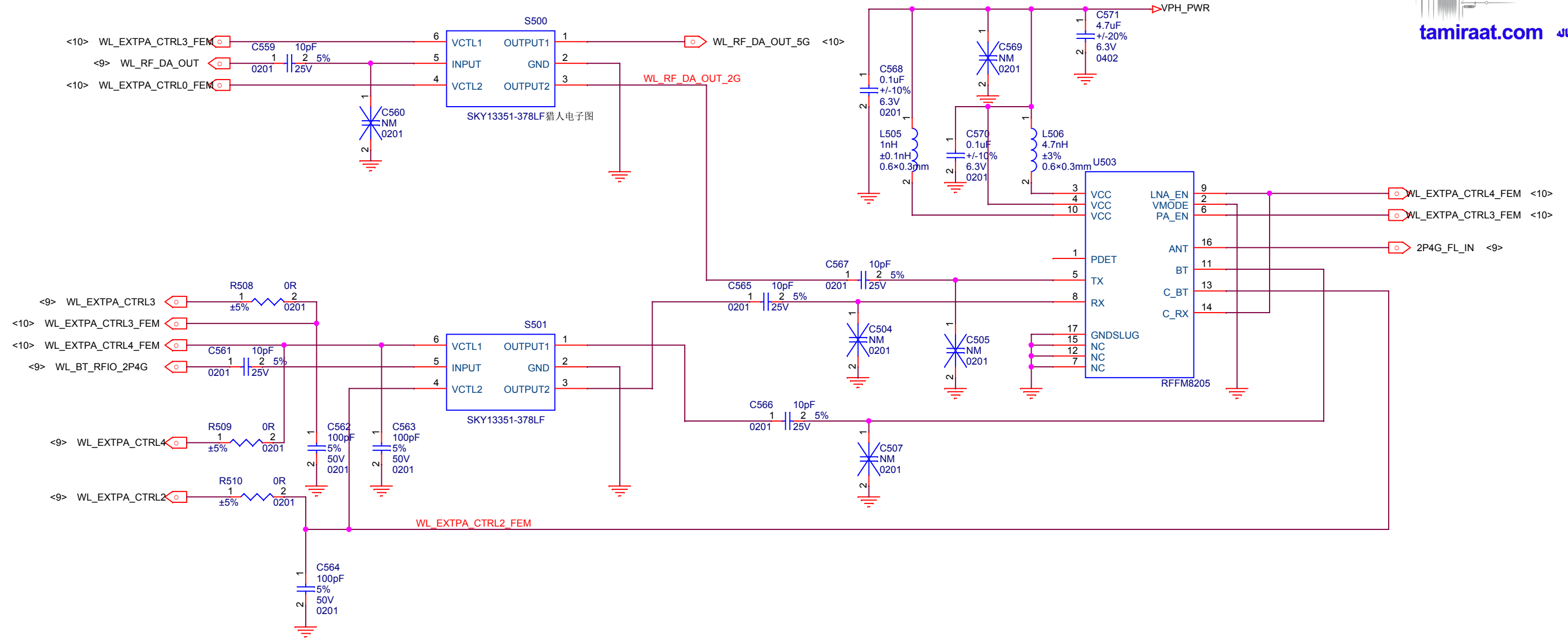
Title		
B3		
Size	Document Number	Rev
A3	<Doc>	P0
Date:	Thursday, January 21, 2016	Sheet 8 of 41





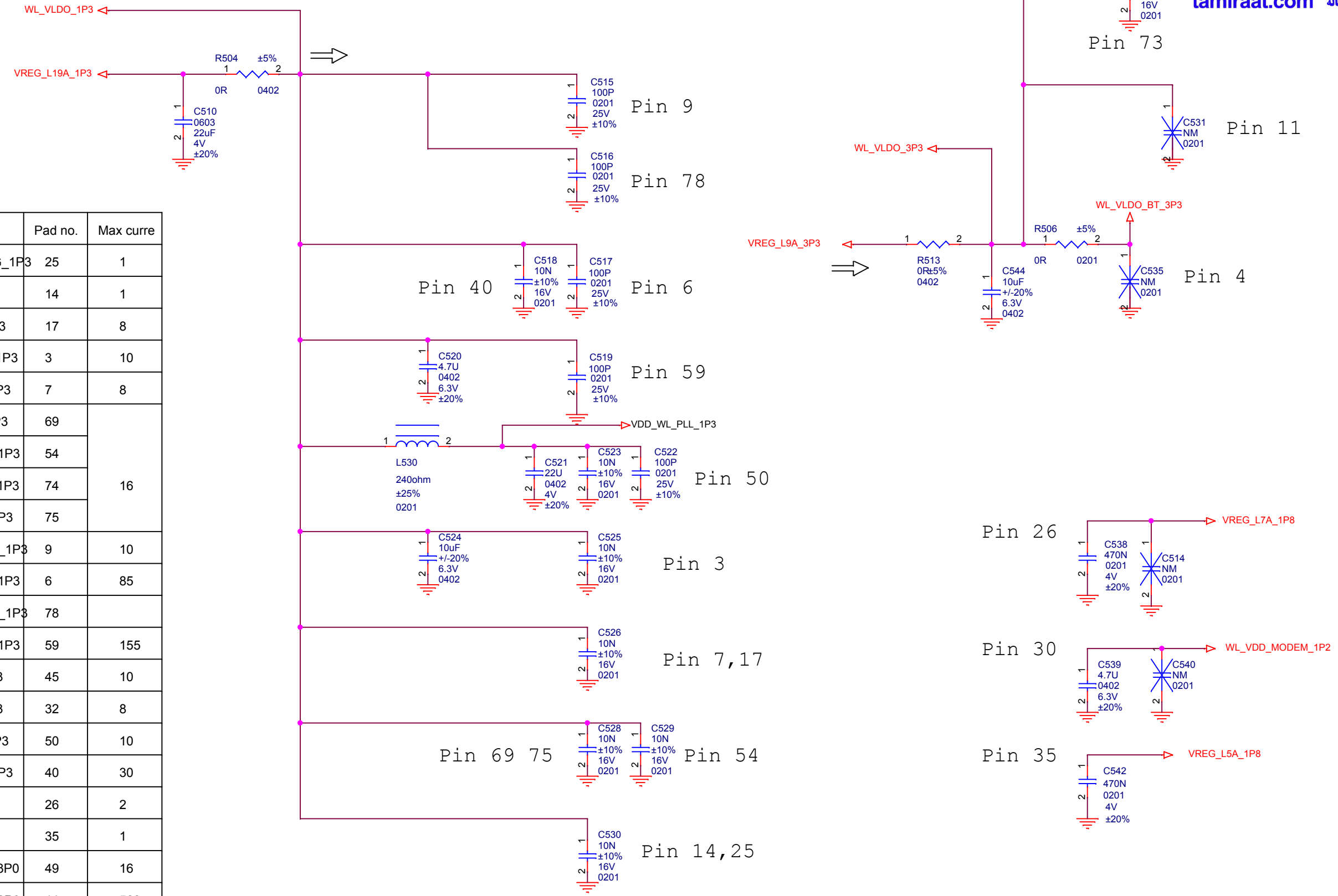
BI/WIFI

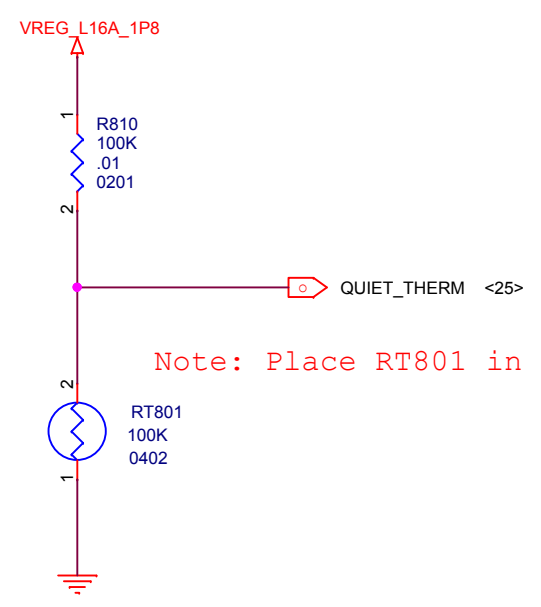
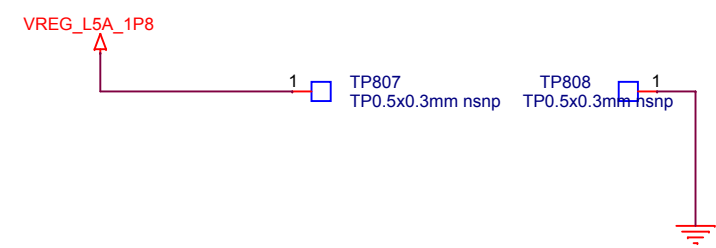
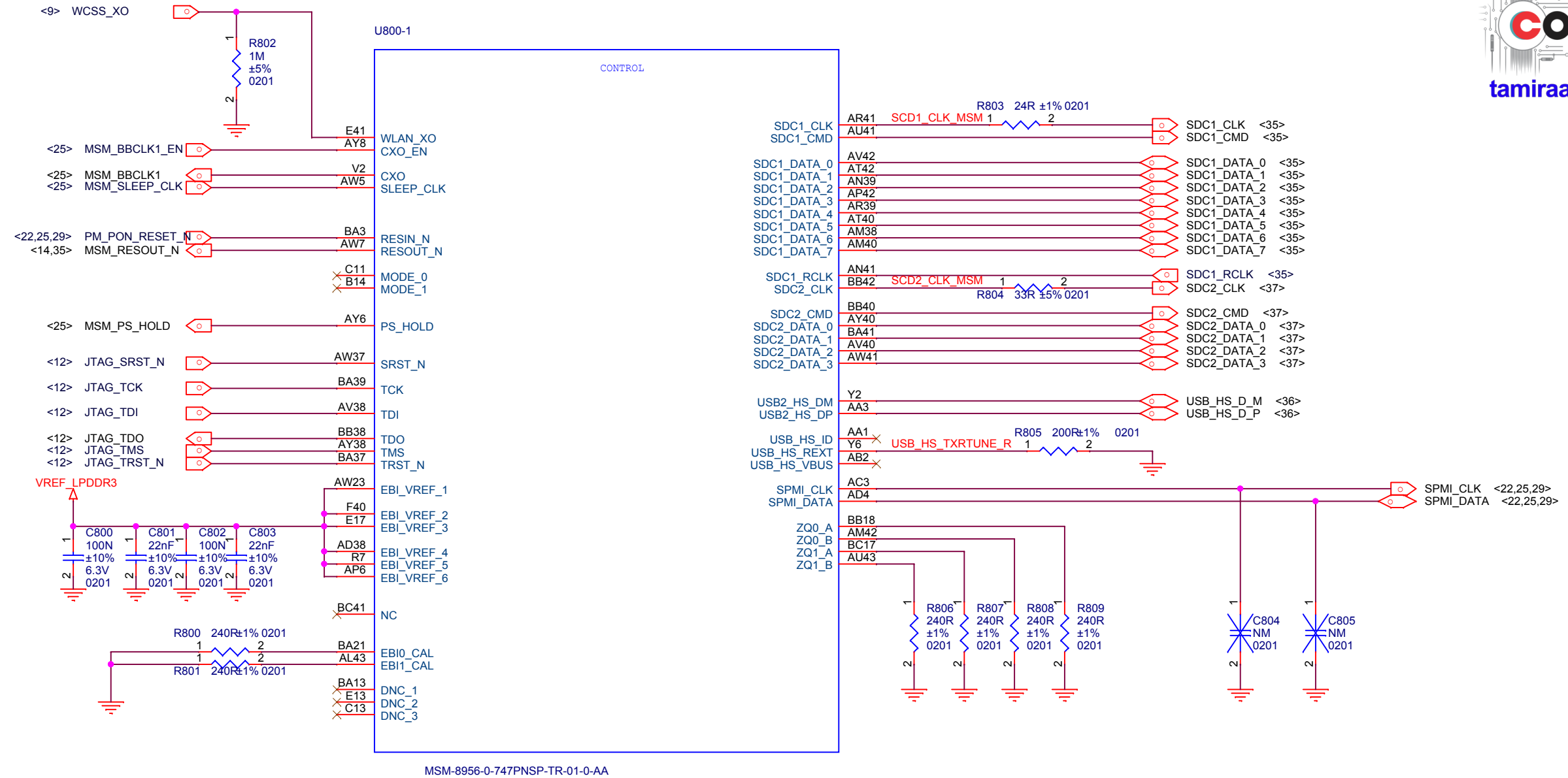
Title B3		
Size A3	Document Number <Doc>	Rev P0
Date: Wednesday, March 16, 2016	Sheet 10	of 41



Title		
B3		
Size	Document Number	Rev
A3	<Doc>	P0
Date:	Tuesday, February 23, 2016	Sheet 11 of 41

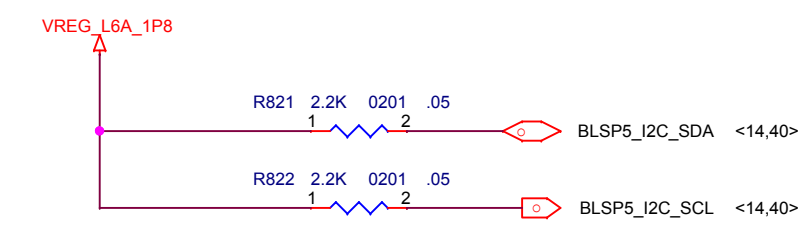
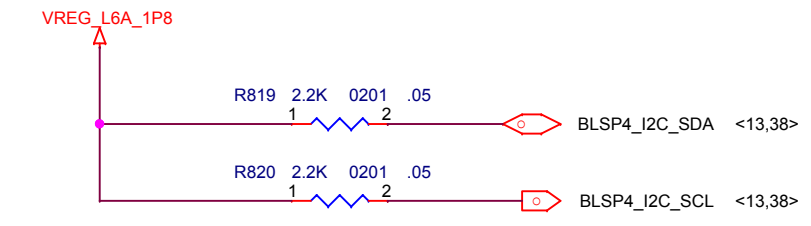
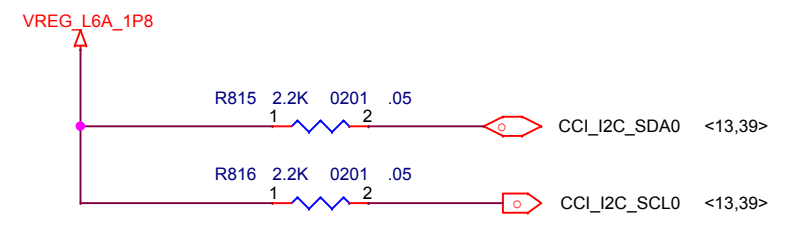
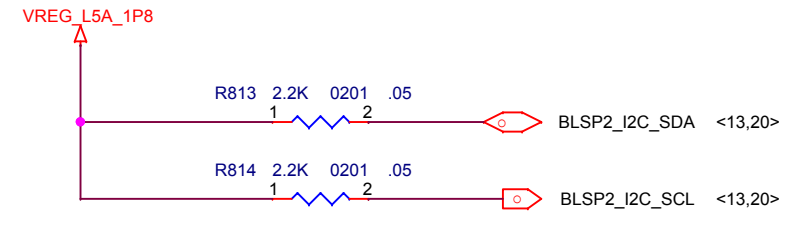
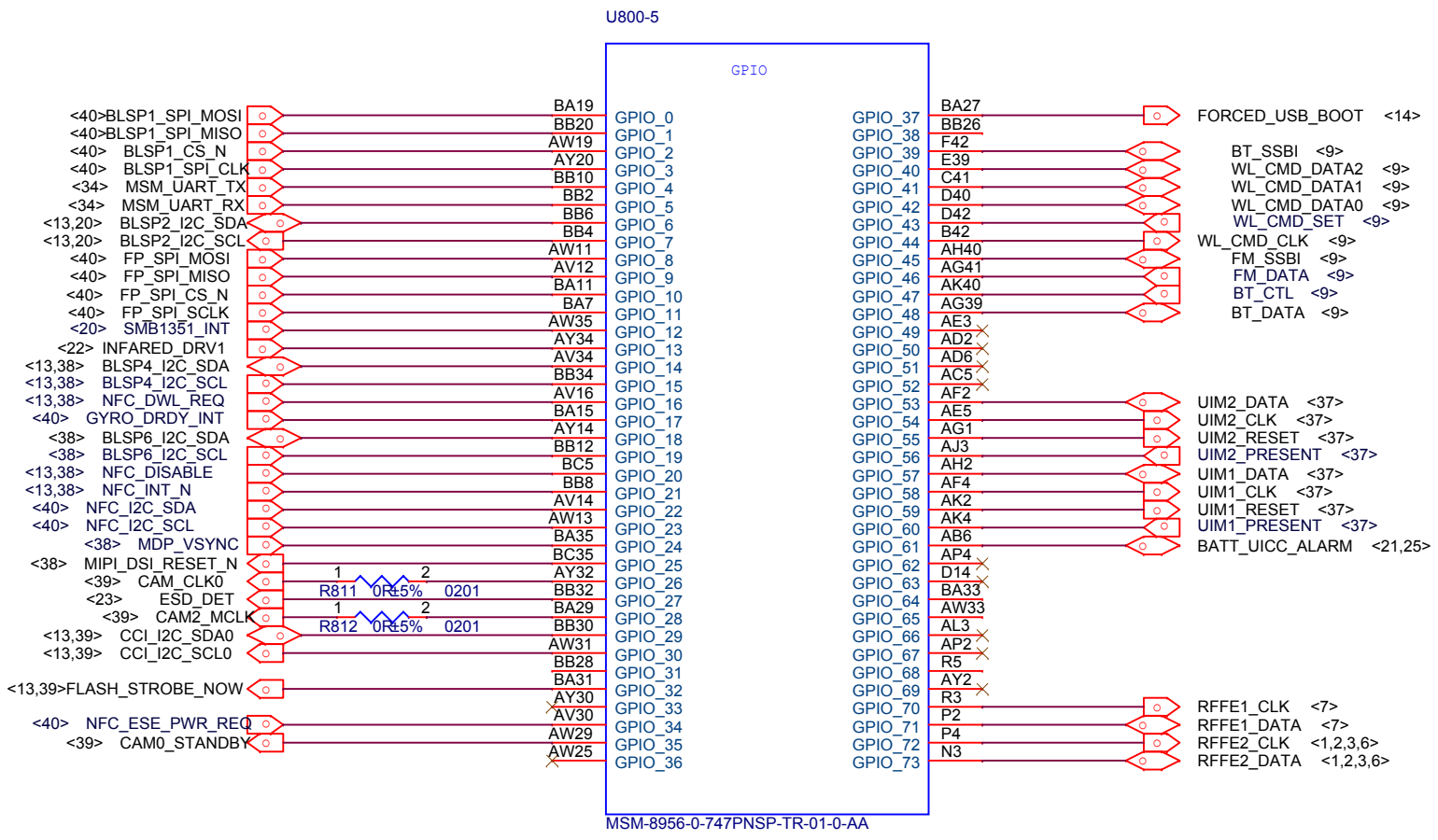
Voltage	Pad name	Pad no.	Max curre
1P3	VDD_BT_FM_DIG_1P3	25	1
	VDD_BT_BB_1P3	14	1
	VDD_BT_PLL_1P3	17	8
	VDD_BT_RXRF_1P3	3	10
	VDD_BT_VCO_1P3	7	8
	VDD_FM_PLL_1P3	69	16
	VDD_FM_RXBB_1P3	54	
	VDD_FM_RXFE_1P3	74	
	VDD_FM_VCO_1P3	75	
	VDD_WL_2GLNA_1P3	9	10
	VDD_WL_2GPA_1P3	6	85
	VDD_WL_5GLNA_1P3	78	
	VDD_WL_5GPA_1P3	59	155
	VDD_WL_BB_1P3	45	10
VDD_WL_LO_1P3	32	8	
VDD_WL_PLL_1P3	50	10	
VDD_WL_UPC_1P3	40	30	
1P8	VDD_XO_1P8	26	2
	VDD_IO_1P8	35	1
3P0	VDD_FM_TXDA_3P0	49	16
	VDD_WL_2GPA_3P0	11	560
	VDD_WL_5GPA_3P0	73	600
	VDD_BT_TXRF_3P0	4	45
1P2	VDD_DIG_1P2	30	4

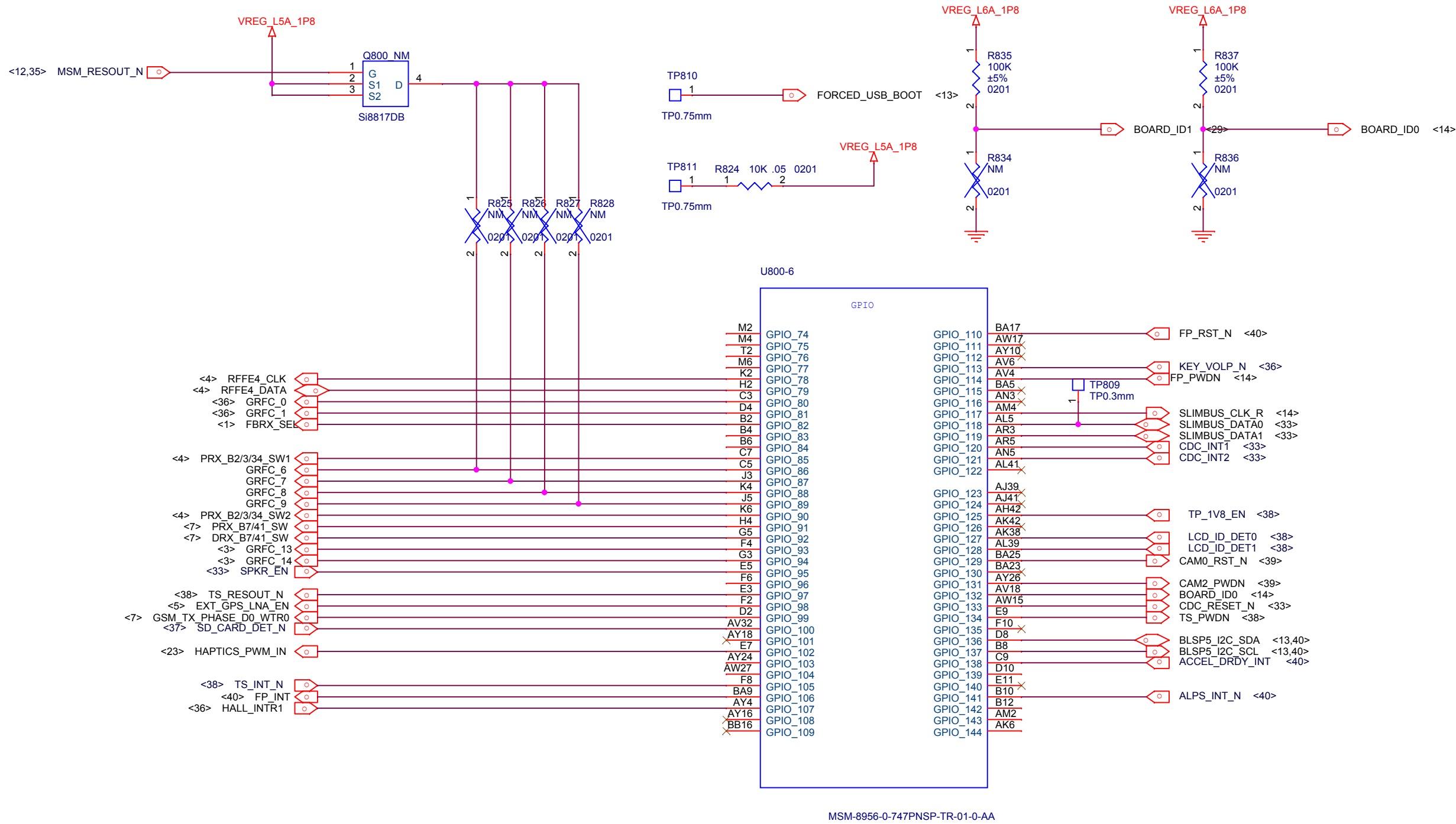




Note: Place RT801 in thermally quiet area

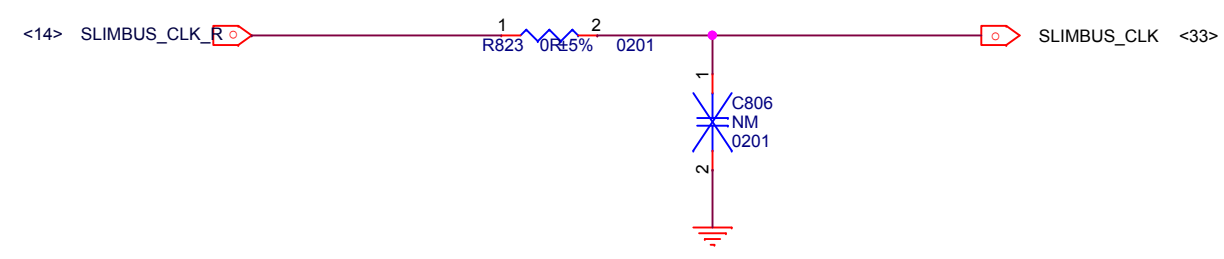
Title		
B3		
Size	Document Number	Rev
A3	<Doc>	P0
Date:	Thursday, January 21, 2016	Sheet 13 of 41

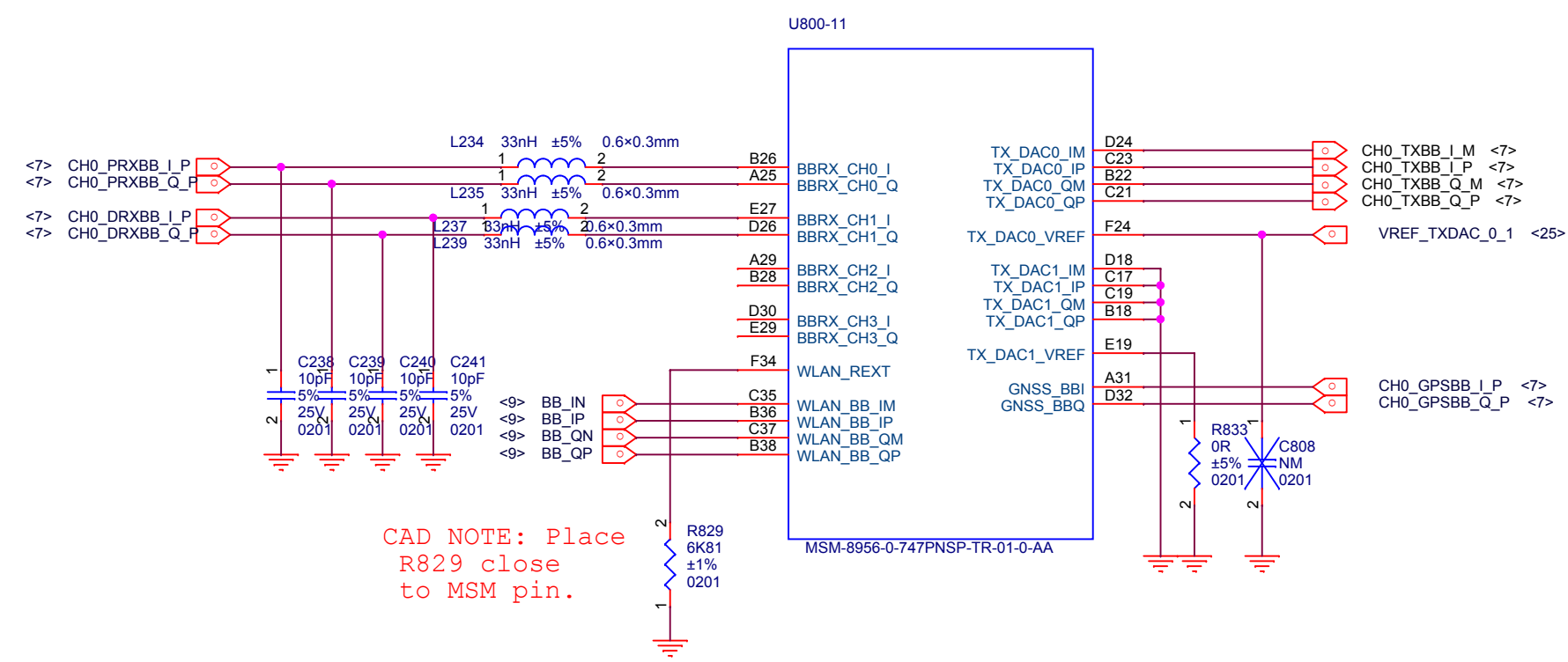
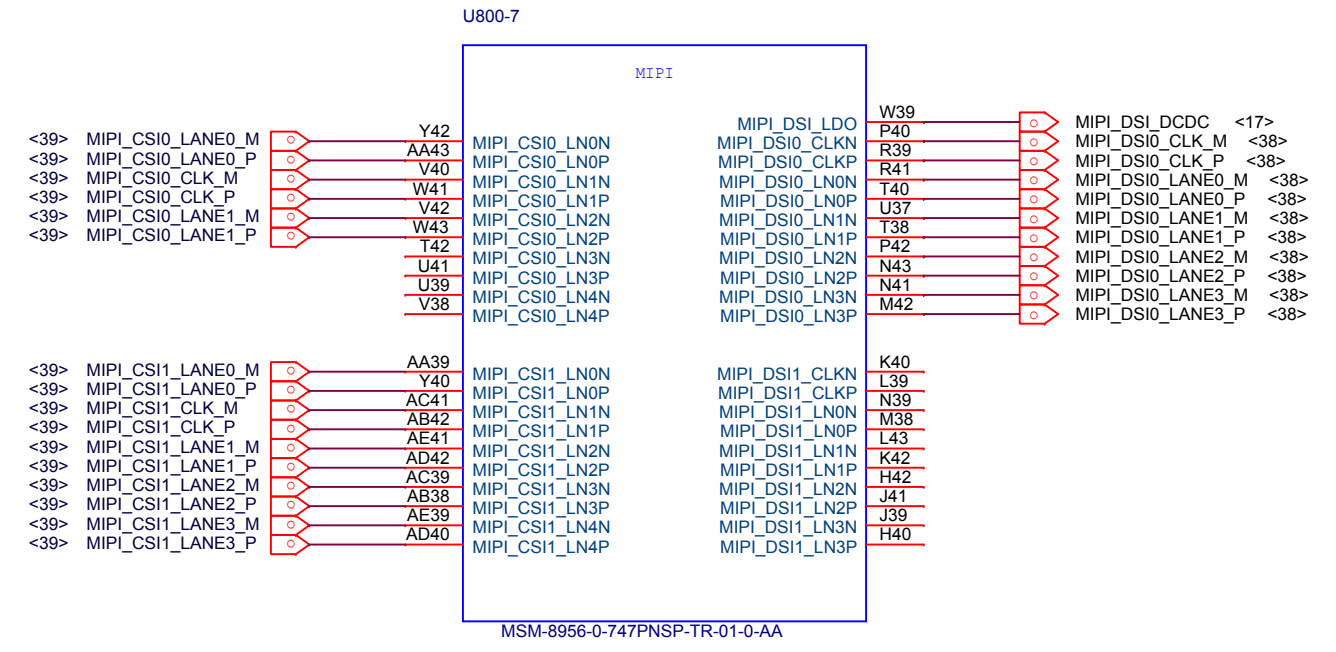


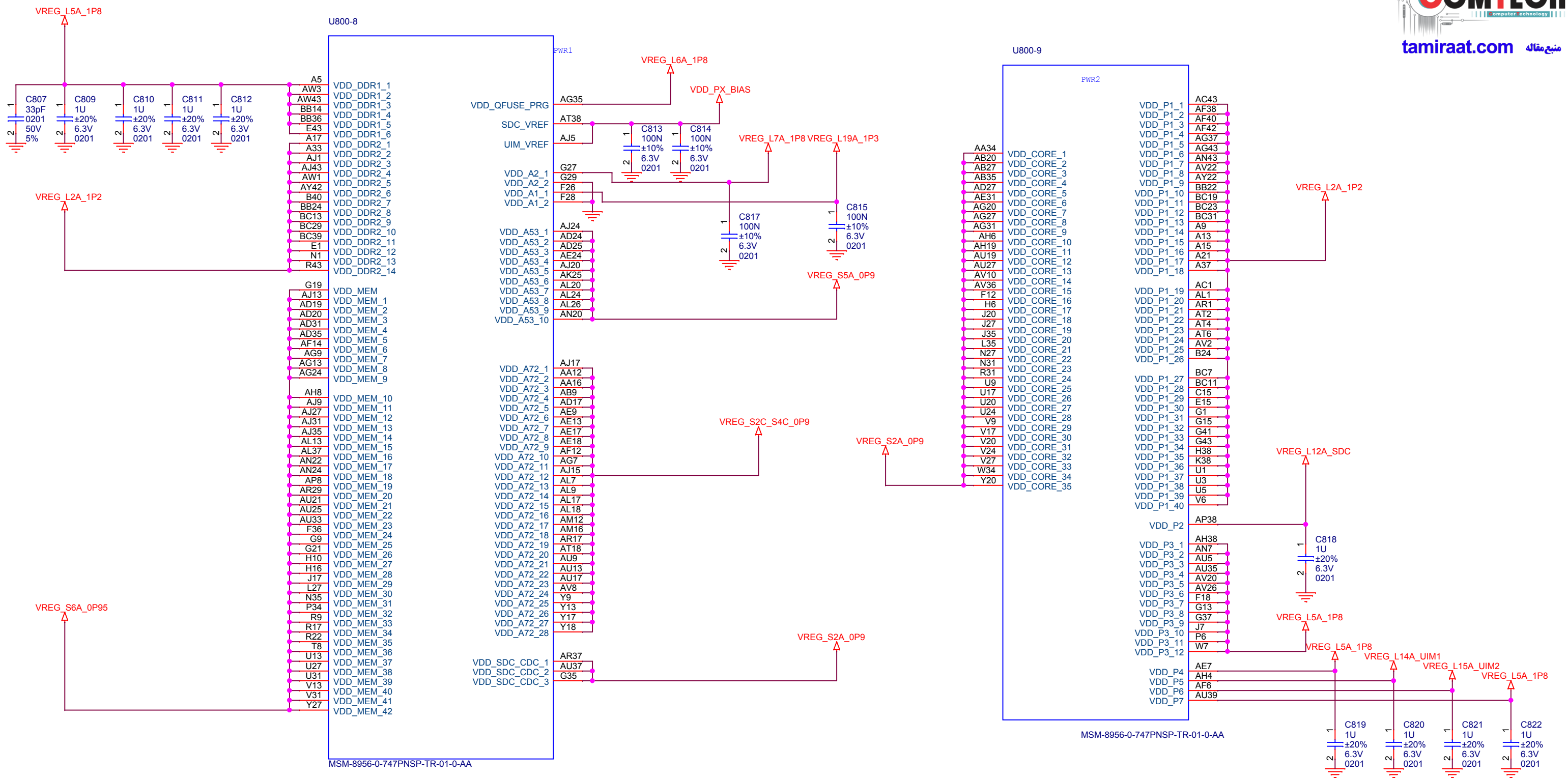


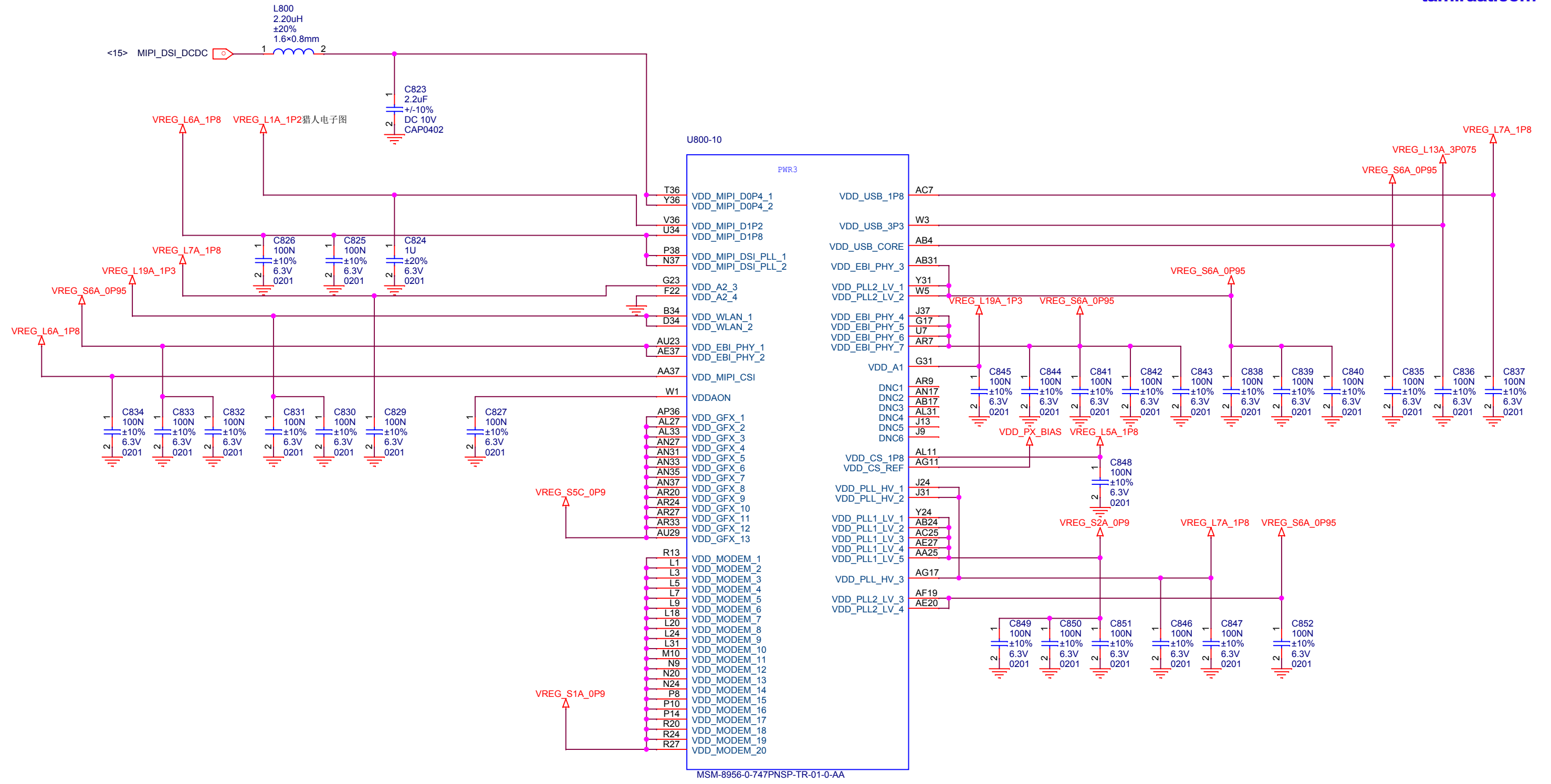
MSM-8956-0-747PNSP-TR-01-0-AA

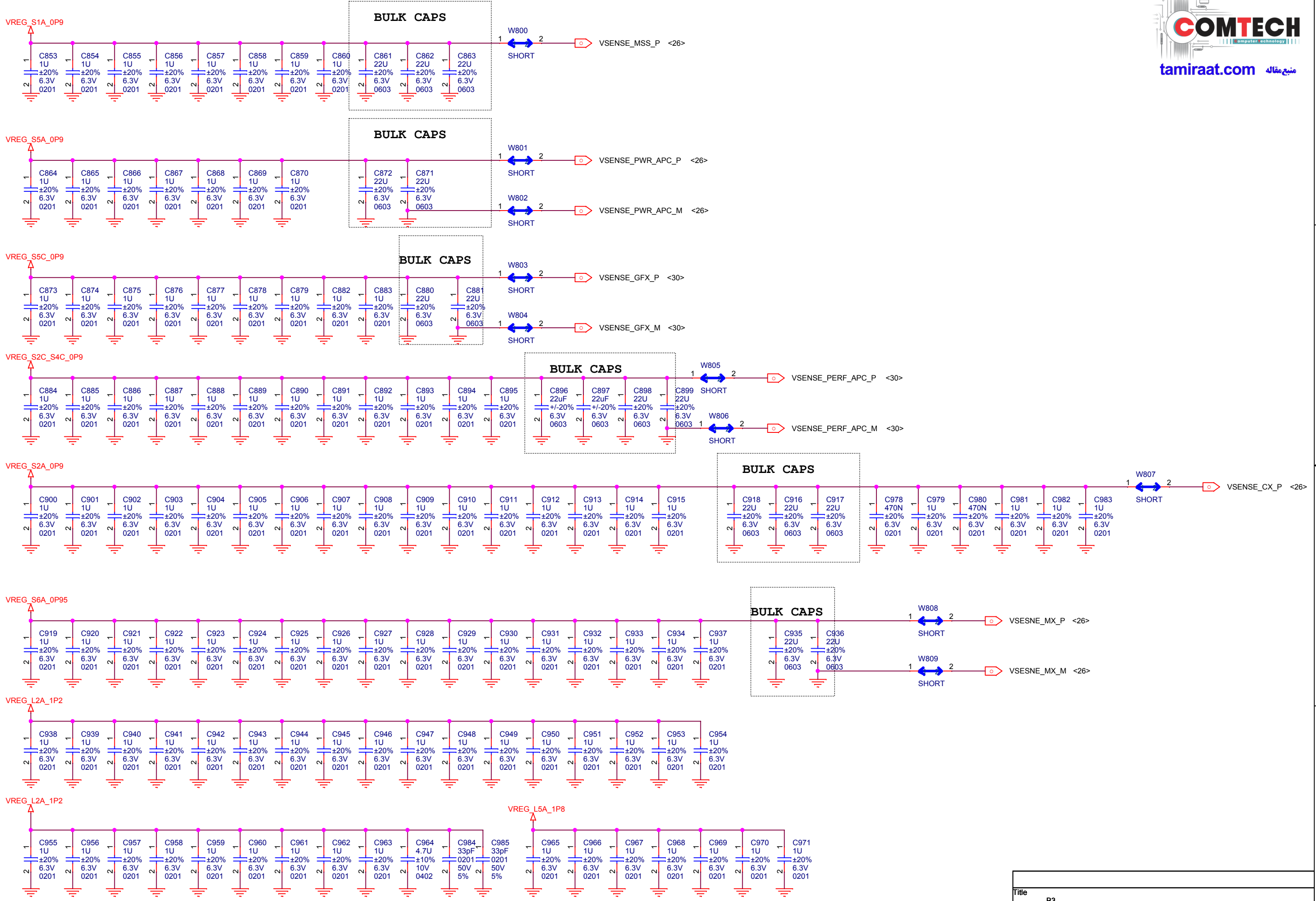
CAD NOTE: PLACE RC FLITER CLOSE TO MSM



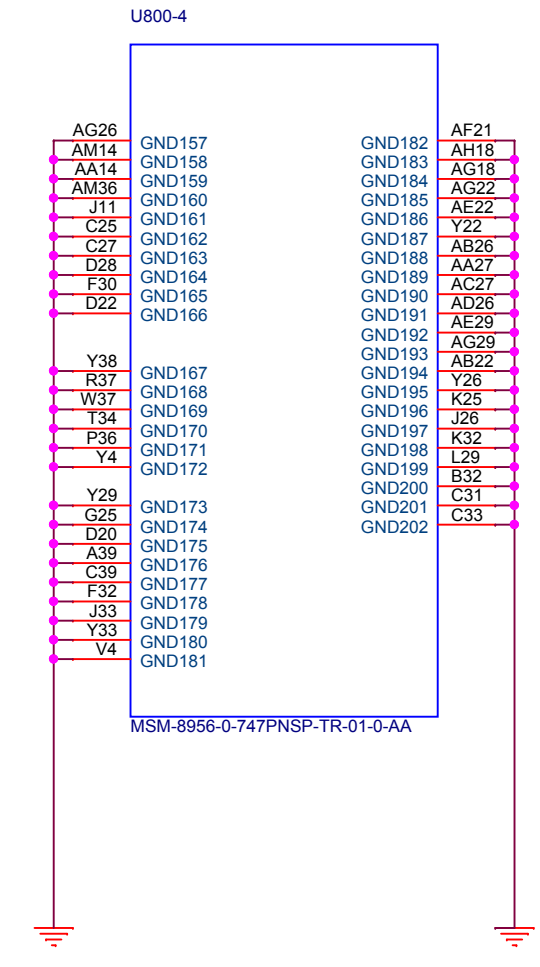
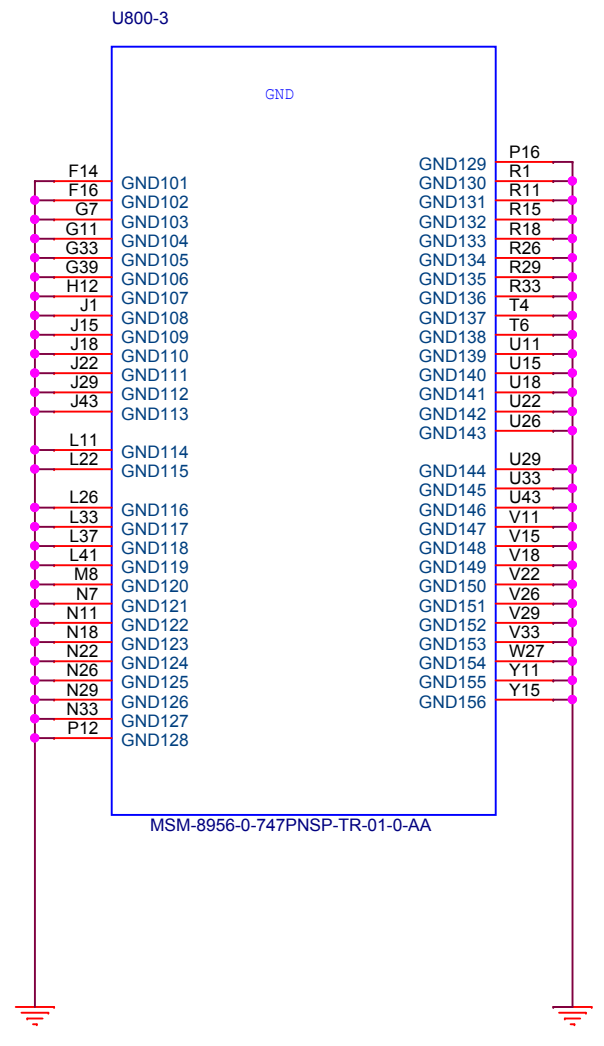
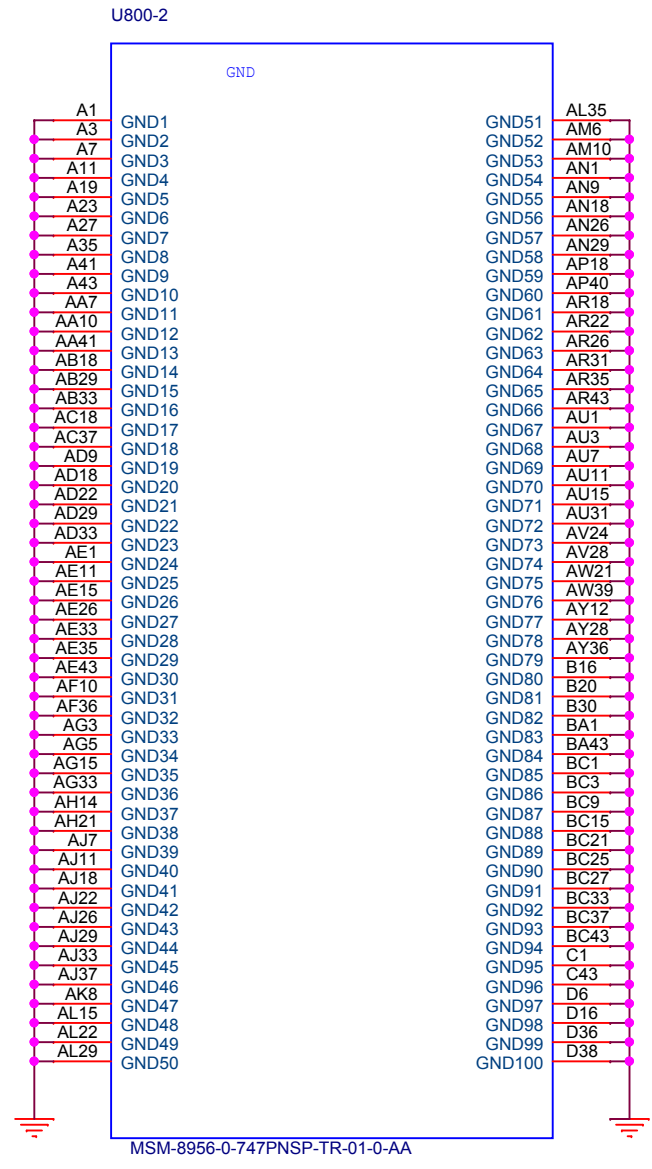


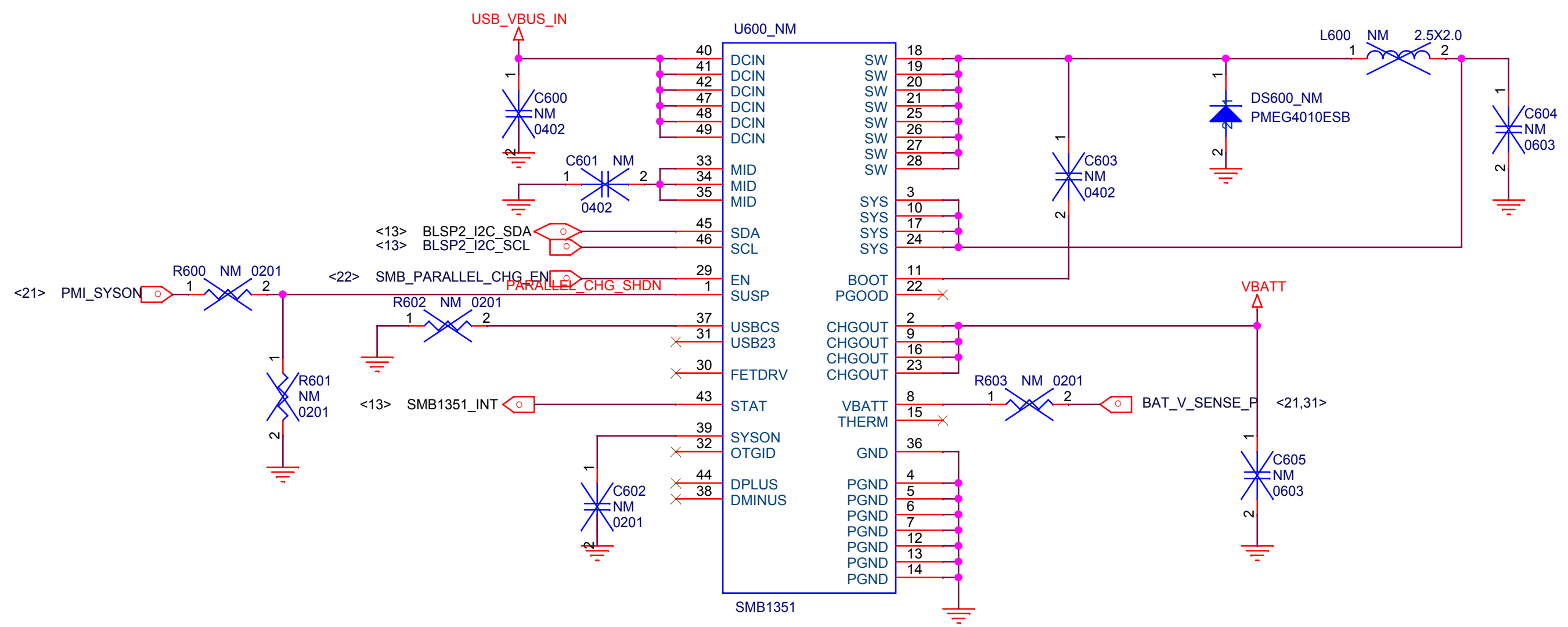




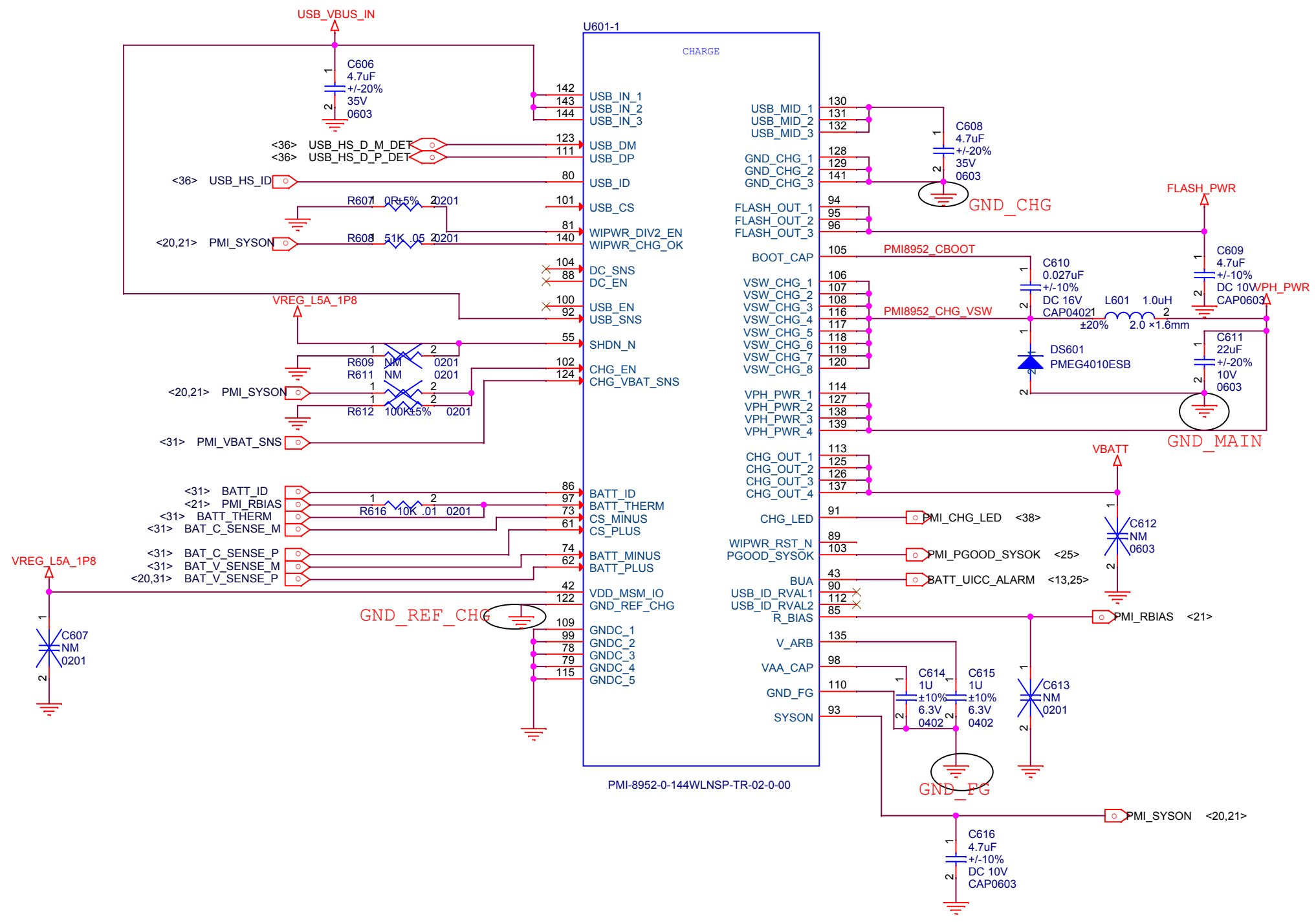


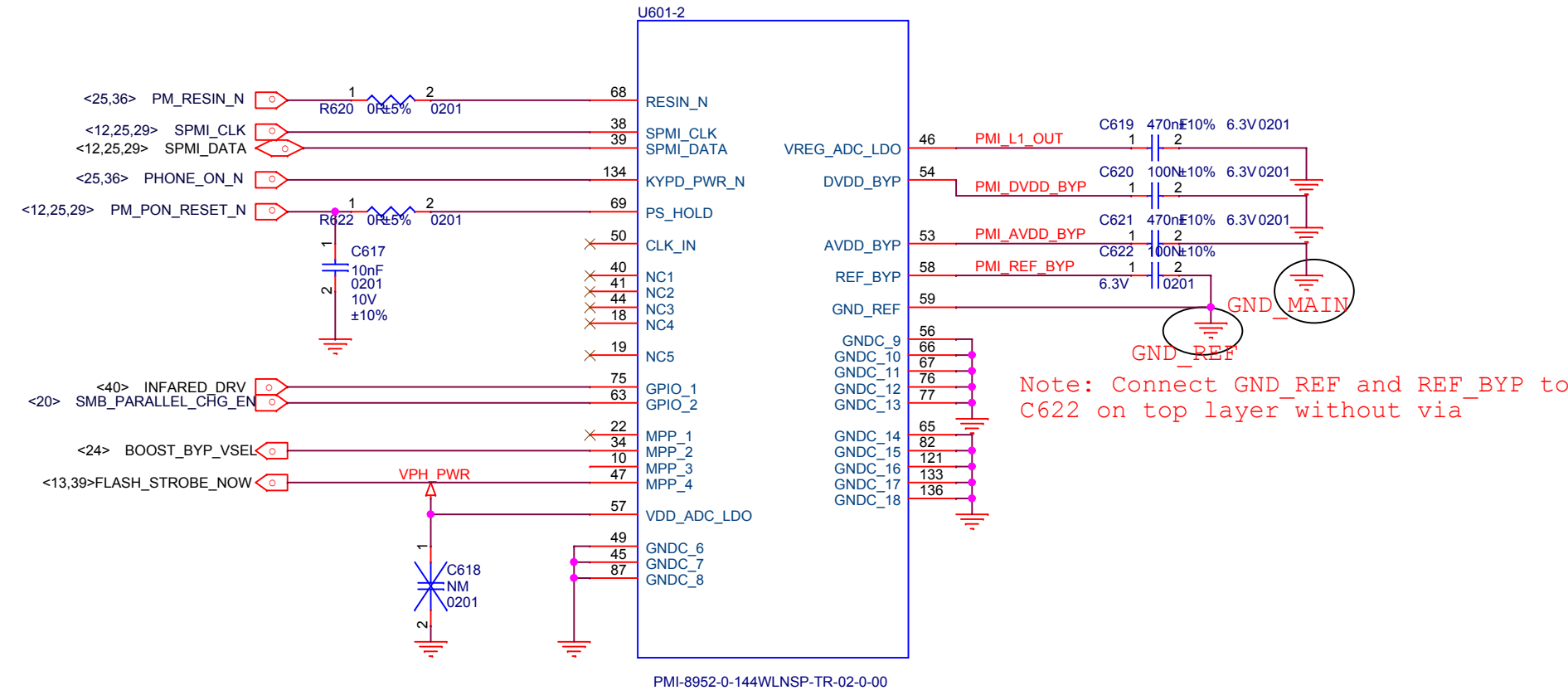
Title		
B3		
Size	Document Number	Rev
A3	<Doc>	P0
Date:	Wednesday, February 24, 2016	Sheet 19 of 41



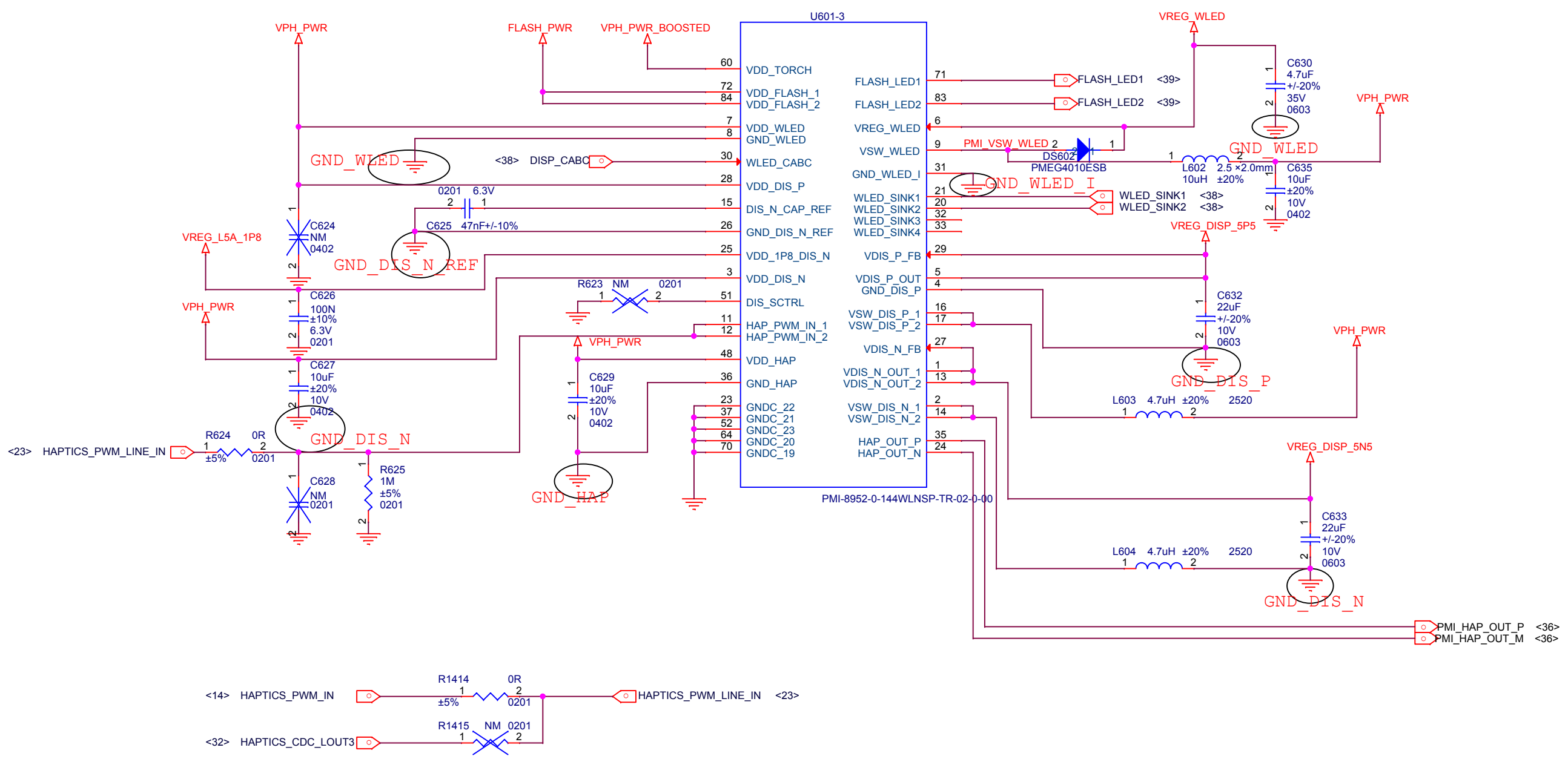


Title		
B3		
Size	Document Number	Rev
A4	<Doc>	P0
Date:	Thursday, January 21, 2016	Sheet 21 of 41

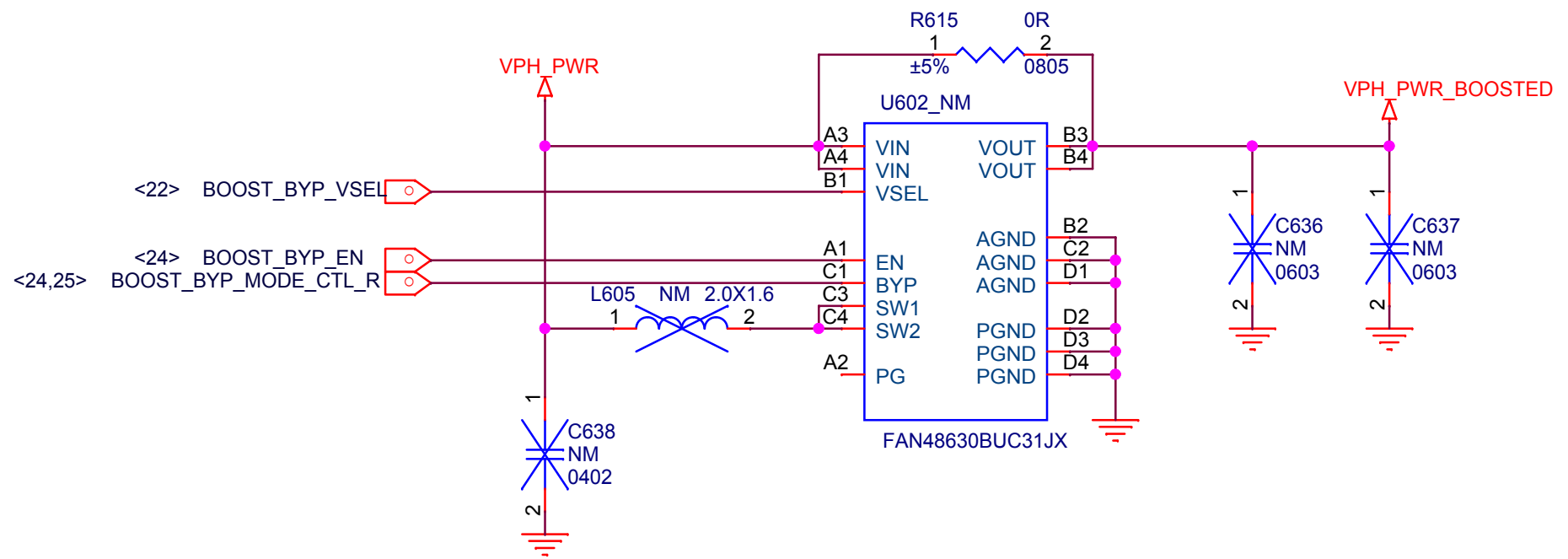
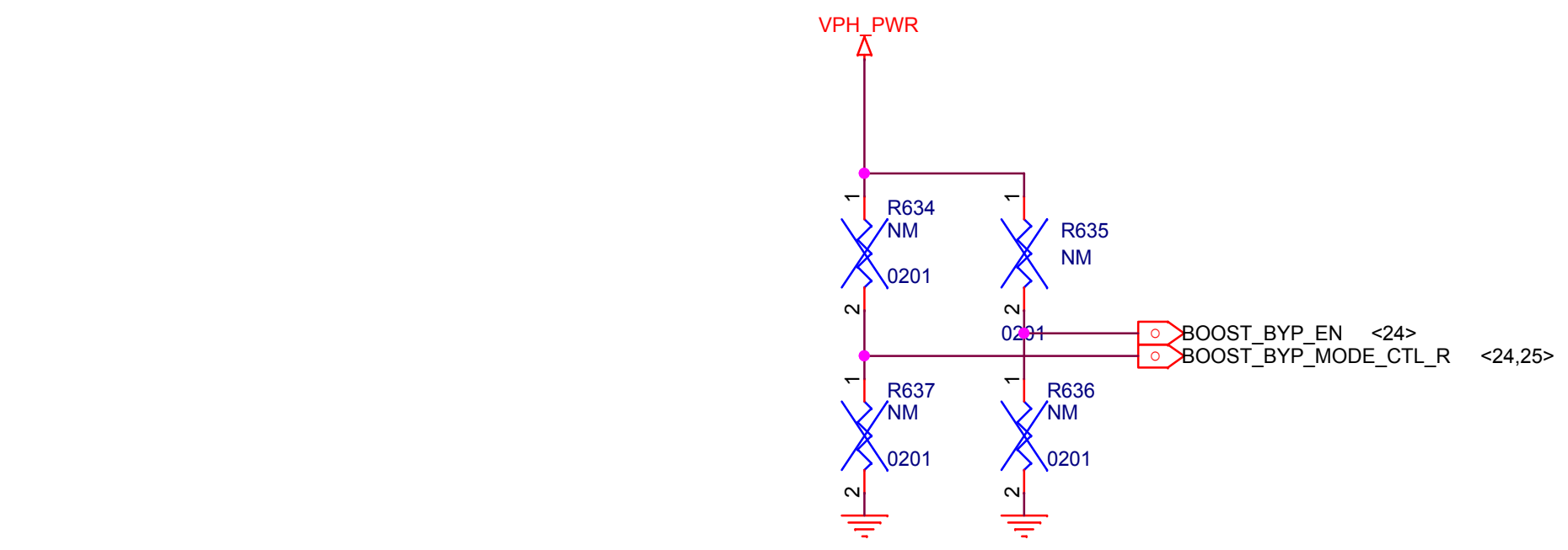




MPP	ADC Input	Analog function
MPP1	Only if NOT using parallel charging	Analog output
MPP2	NO	Current sink
MPP3	NO	Analog output
MPP4	NO	Current sink

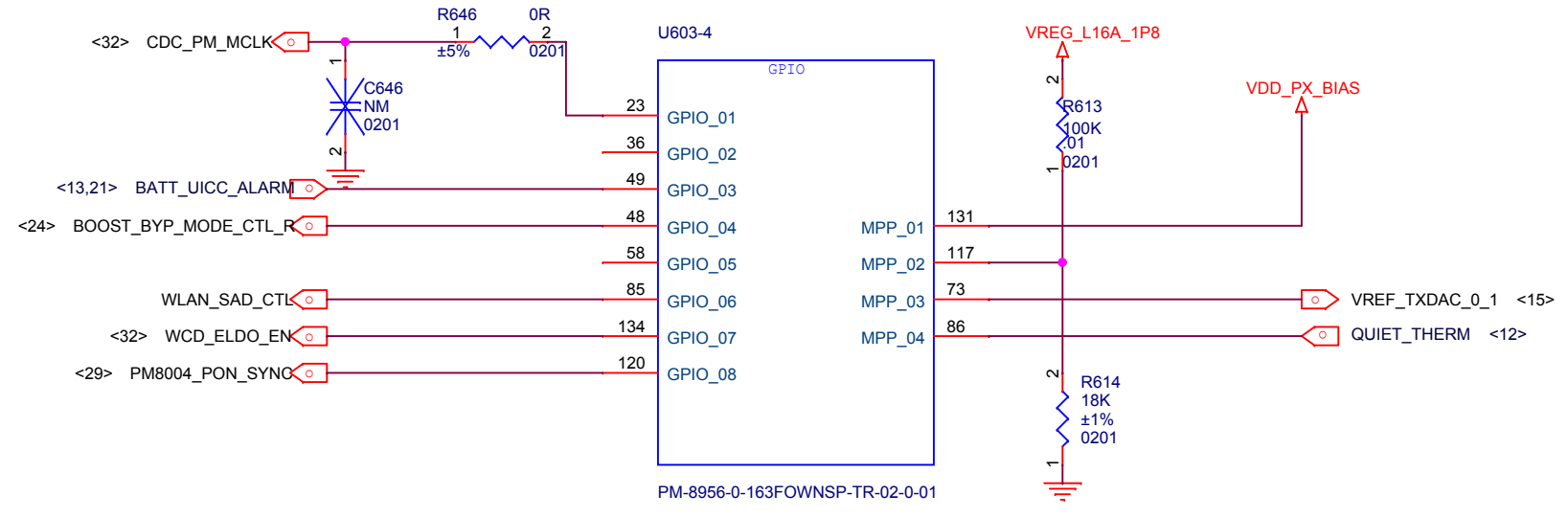
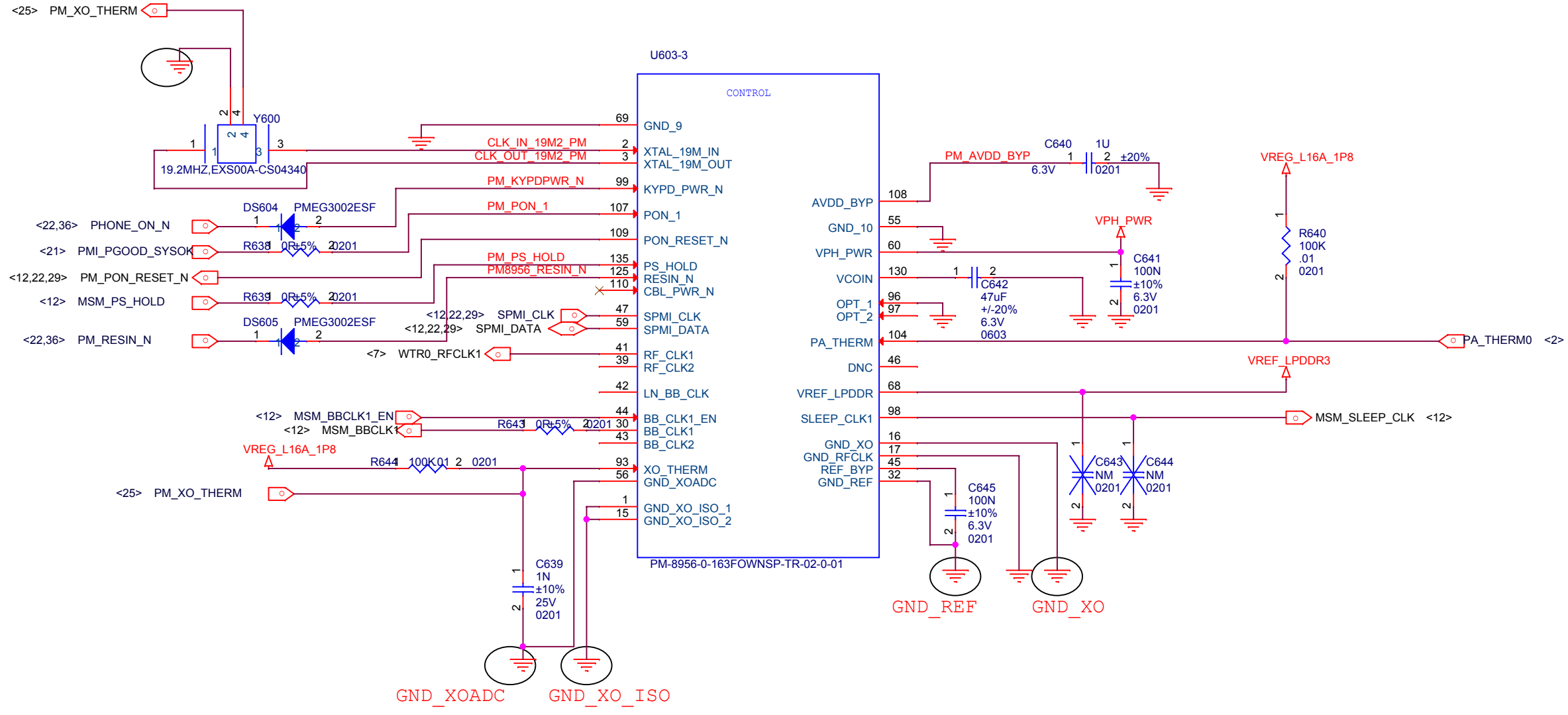


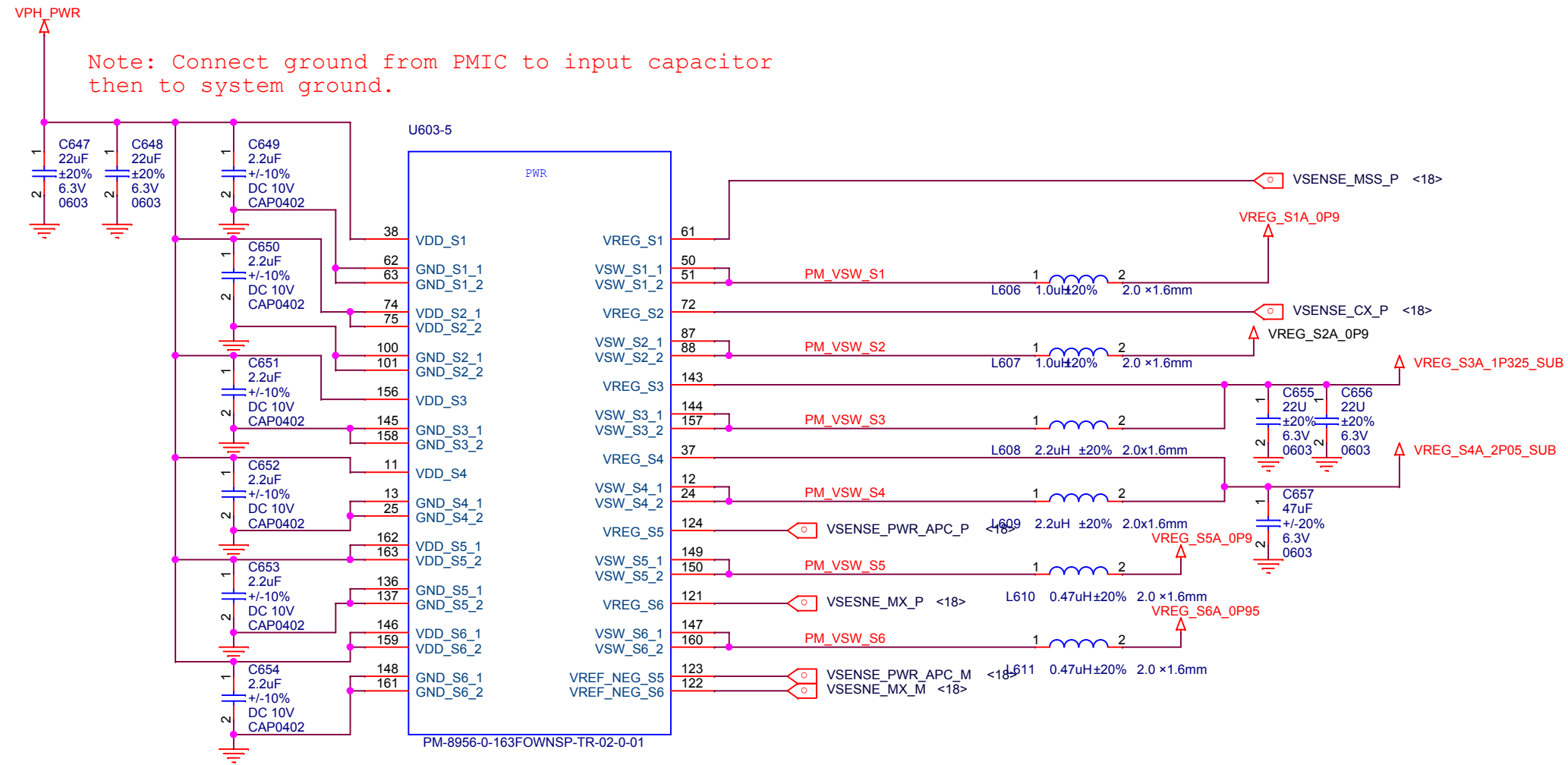
Title		
B3		
Size	Document Number	Rev
A3	<Doc>	P0
Date:	Monday, March 14, 2016	Sheet 24 of 41

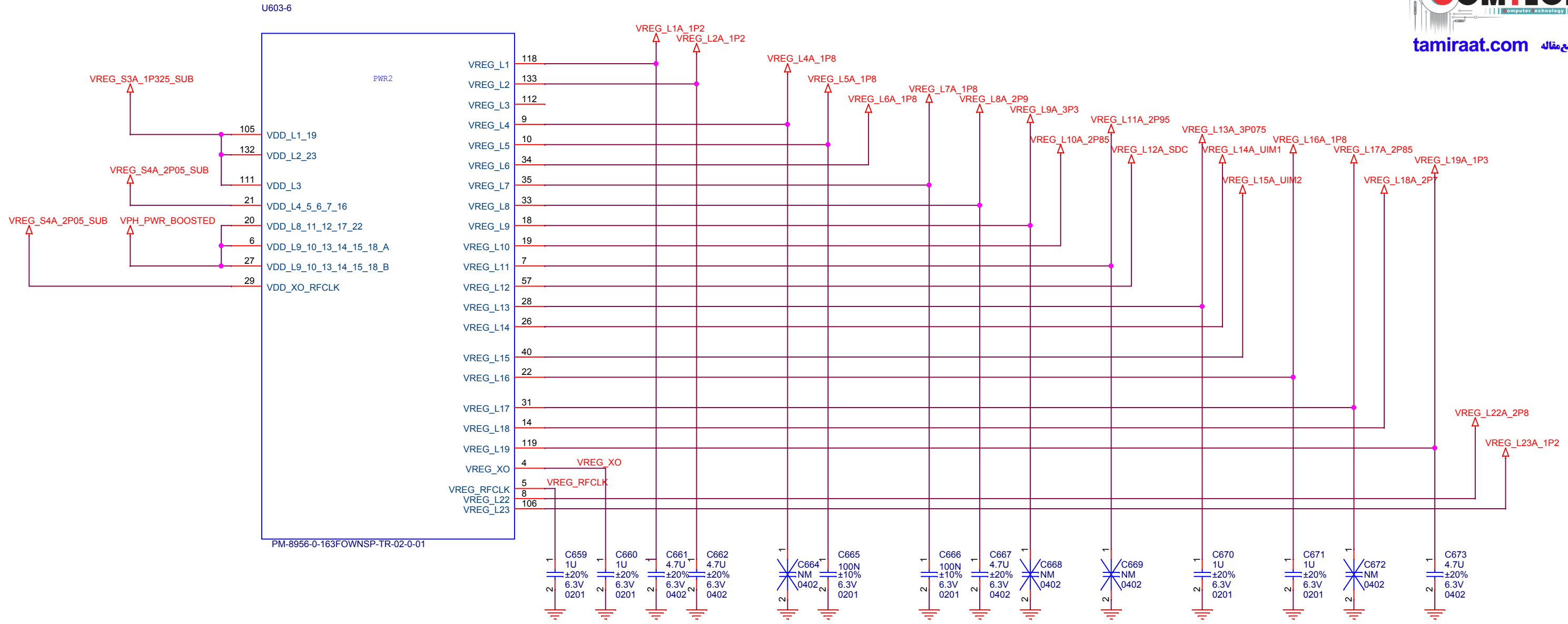


VSEL = 0 --> VOUT = 3.15V
VSEL = 1 --> VOUT = 3.60V

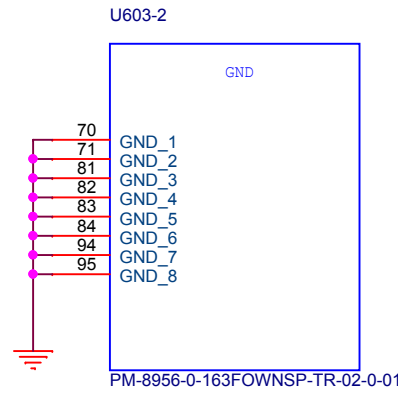
Title		
B3		
Size	Document Number	Rev
A4	<Doc>	P0
Date:	Thursday, January 21, 2016	Sheet 25 of 41



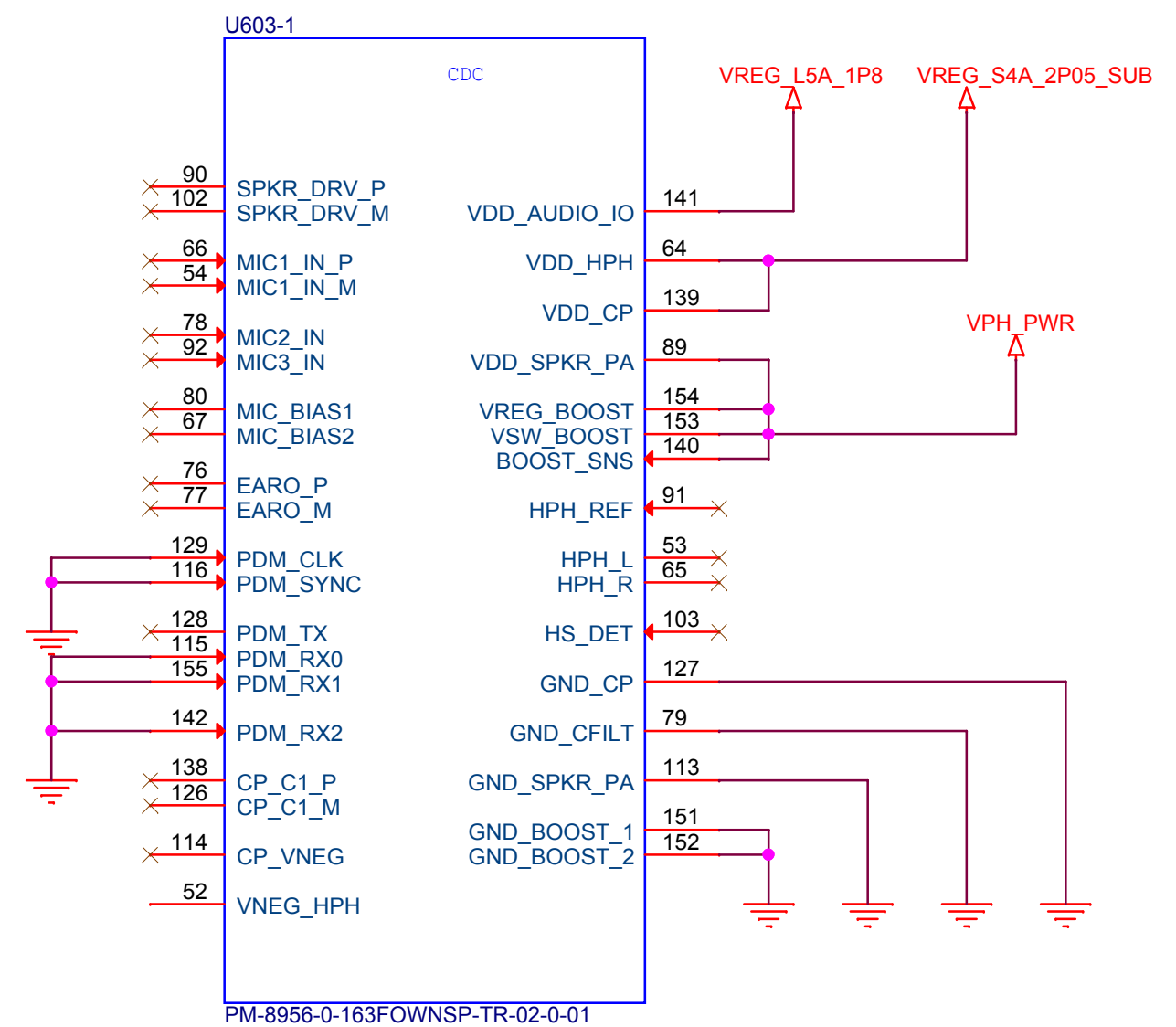




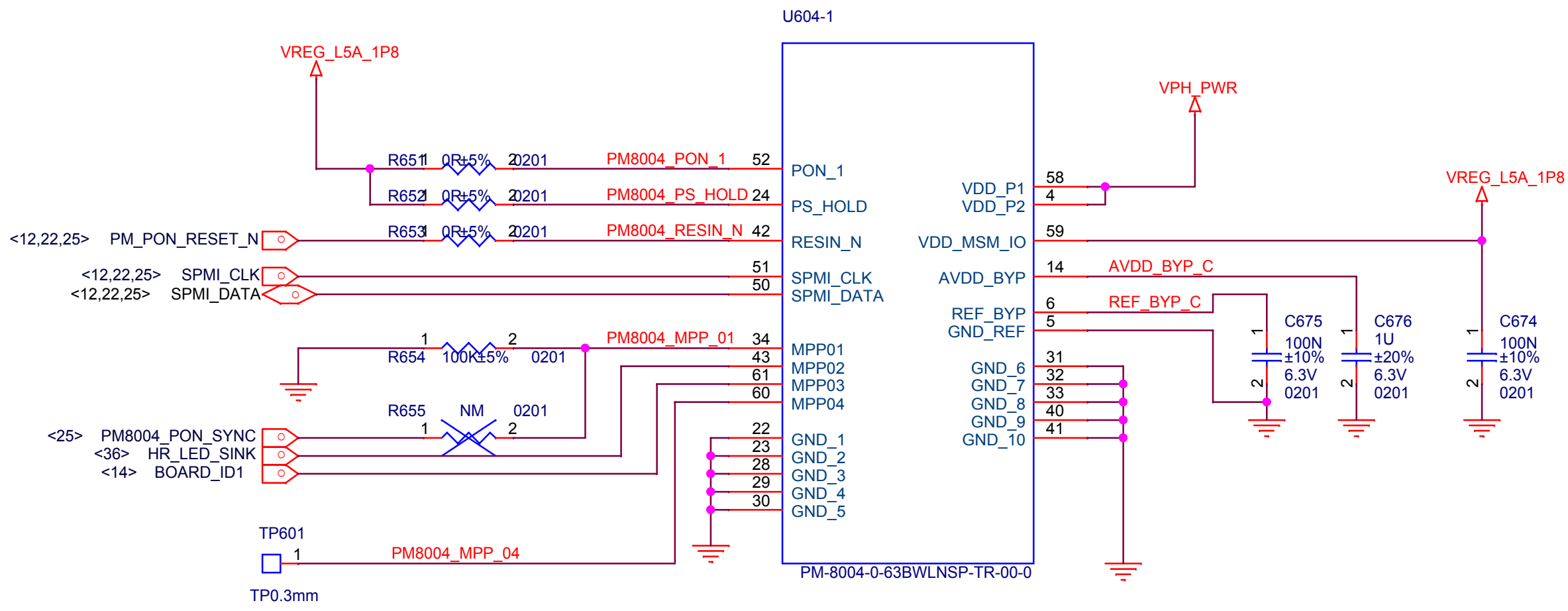
PSEUDO CAPLESS LDOs
L4*, L6, L8, L9*, L10, L11*, L12, L14, L15, L17*, L18, L22, L23
Please leave DNI placeholders until this schematic shows otherwise.
L5, L7, L13, L16 have internal PMIC Loads and require local CAPs.



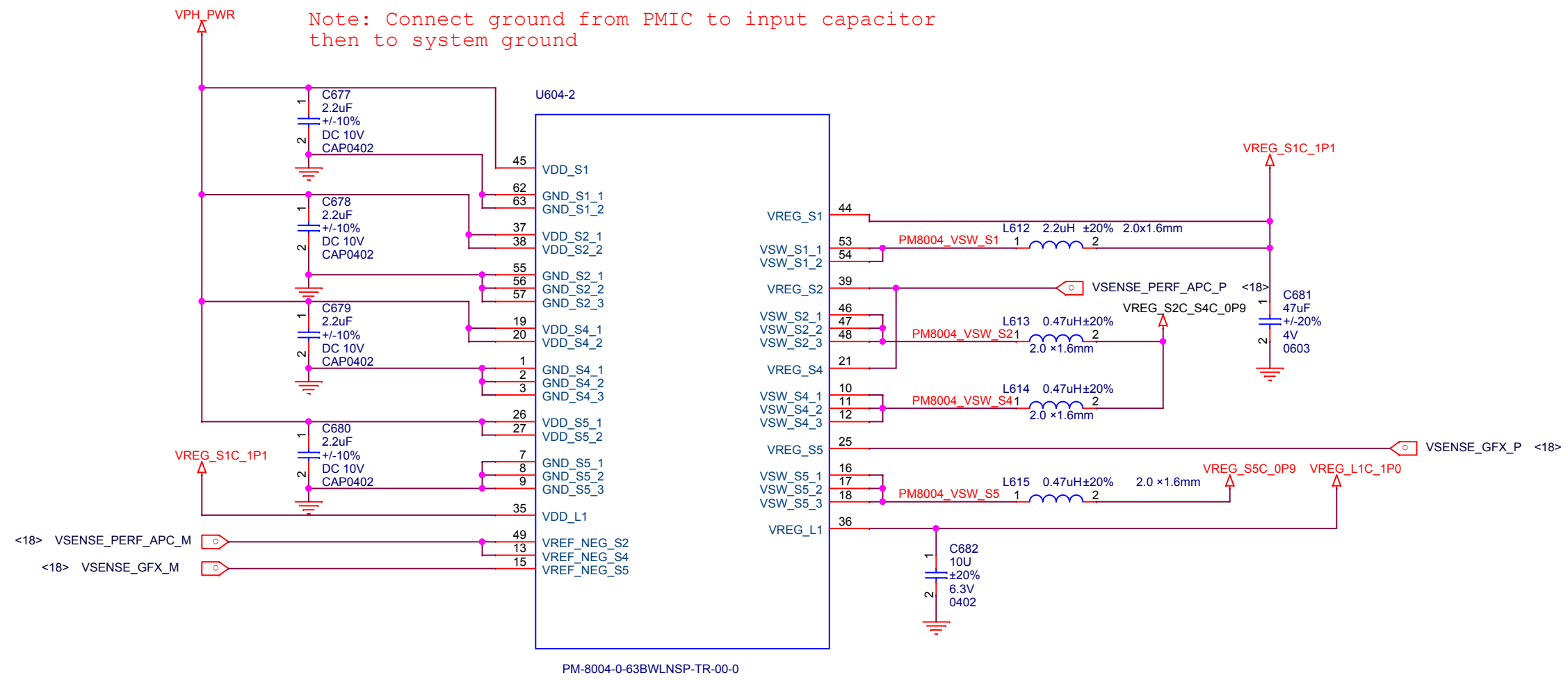
CAD NOTE: Create separate GND islands for PMIC and CODEC GND balls and star route them to GND plane. Remaining are PMIC GND balls.



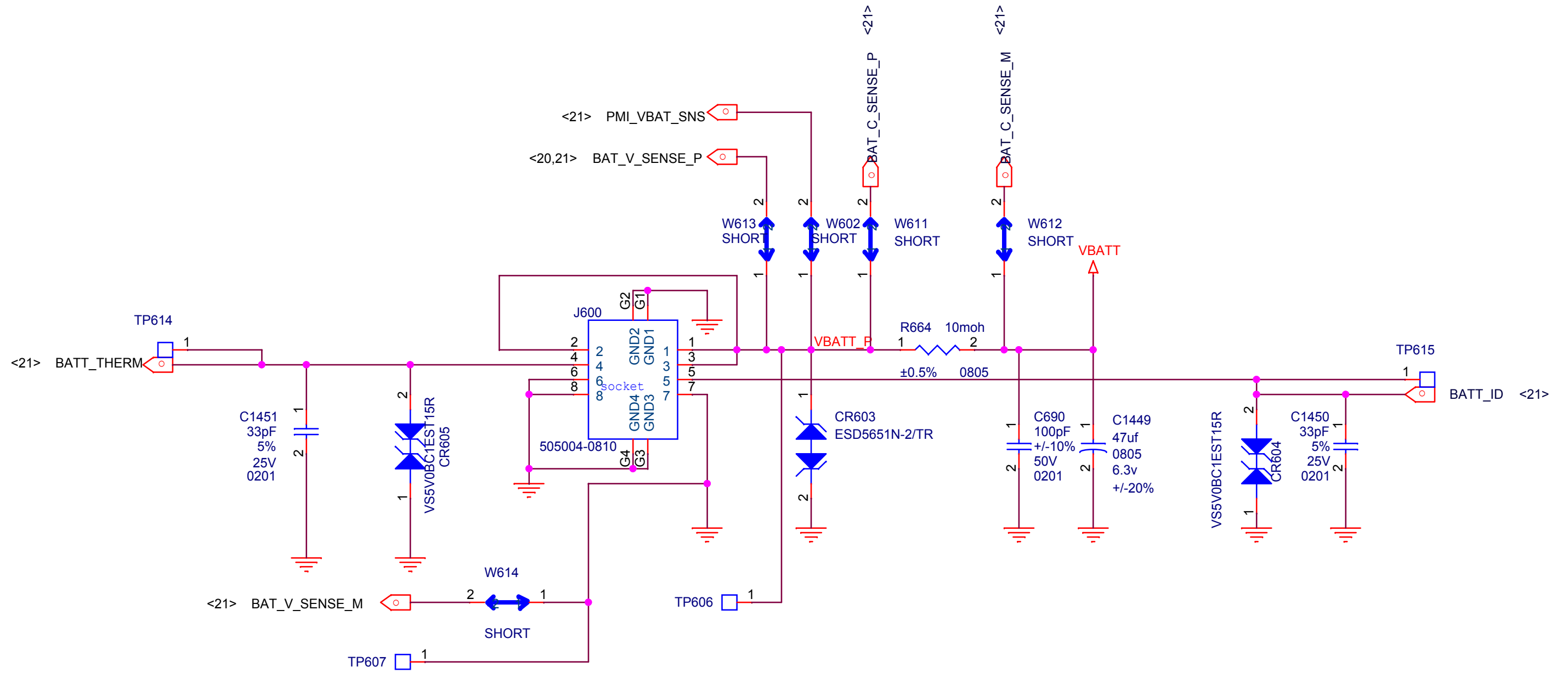
Title		
B3		
Size	Document Number	Rev
A4	<Doc>	P0
Date:	Tuesday, February 23, 2016	Sheet 29 of 41



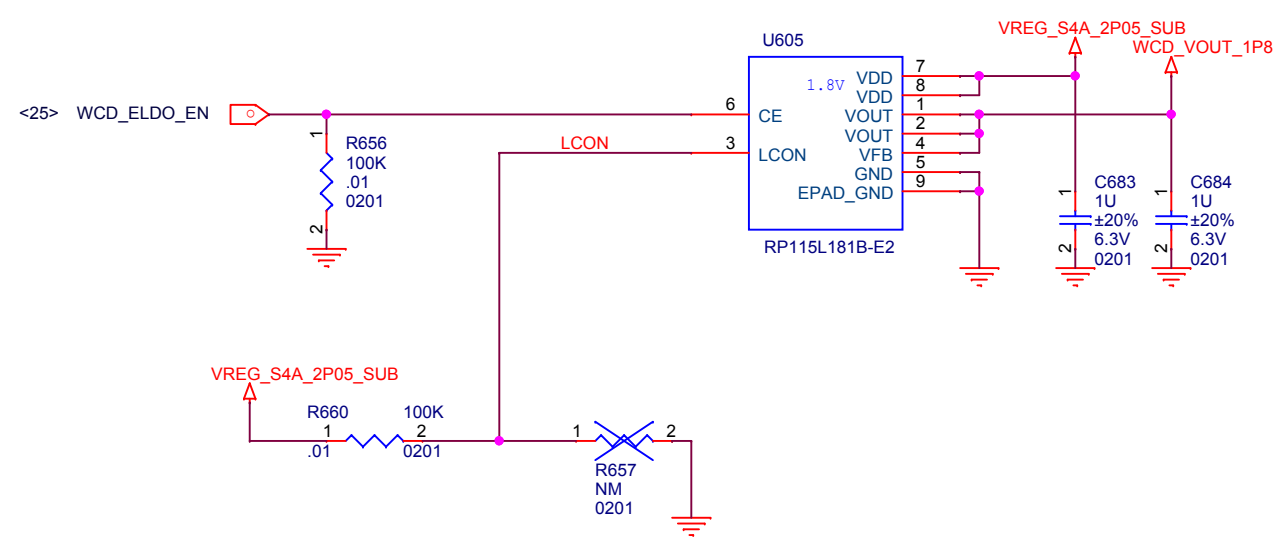
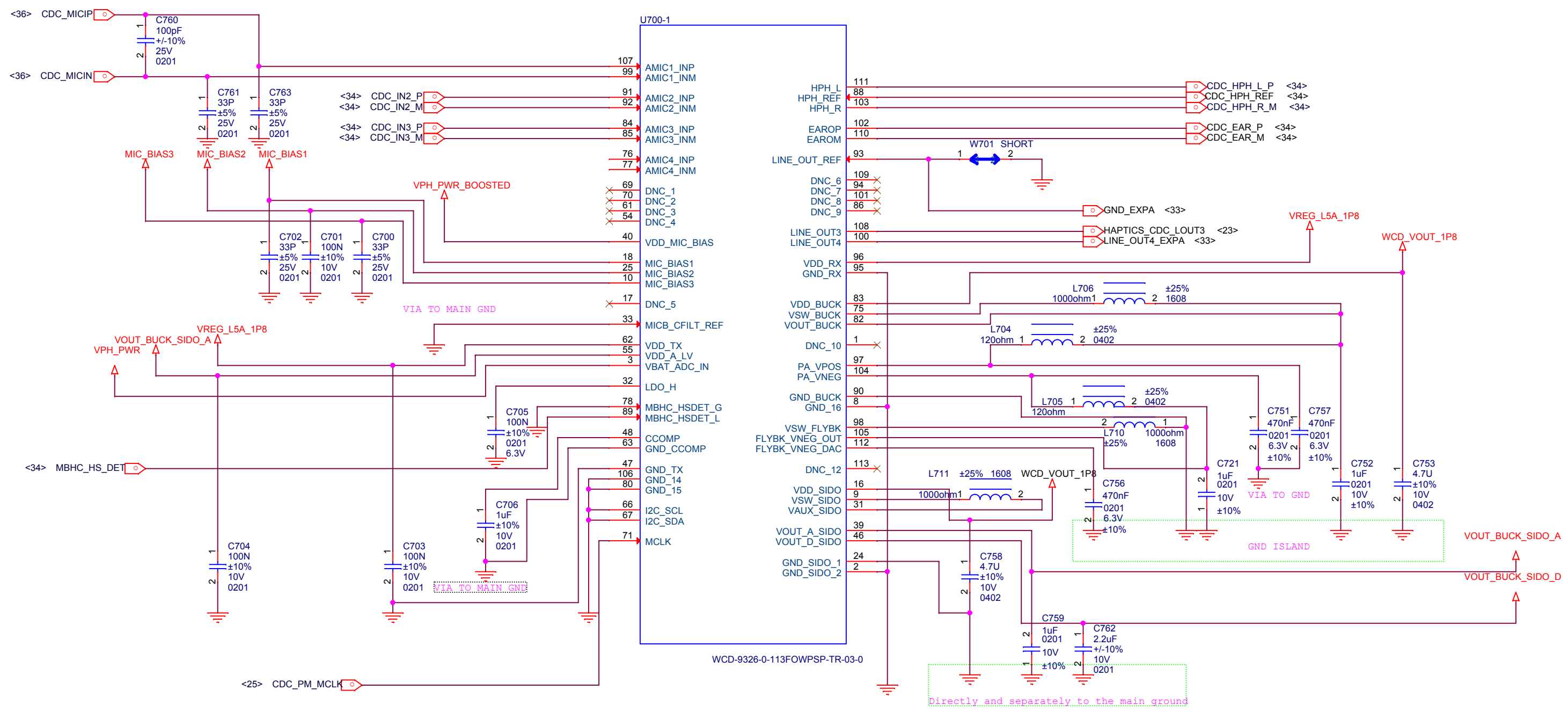
Title		
B3		
Size	Document Number	Rev
A4	<Doc>	P0
Date:	Thursday, January 21, 2016	Sheet 30 of 41



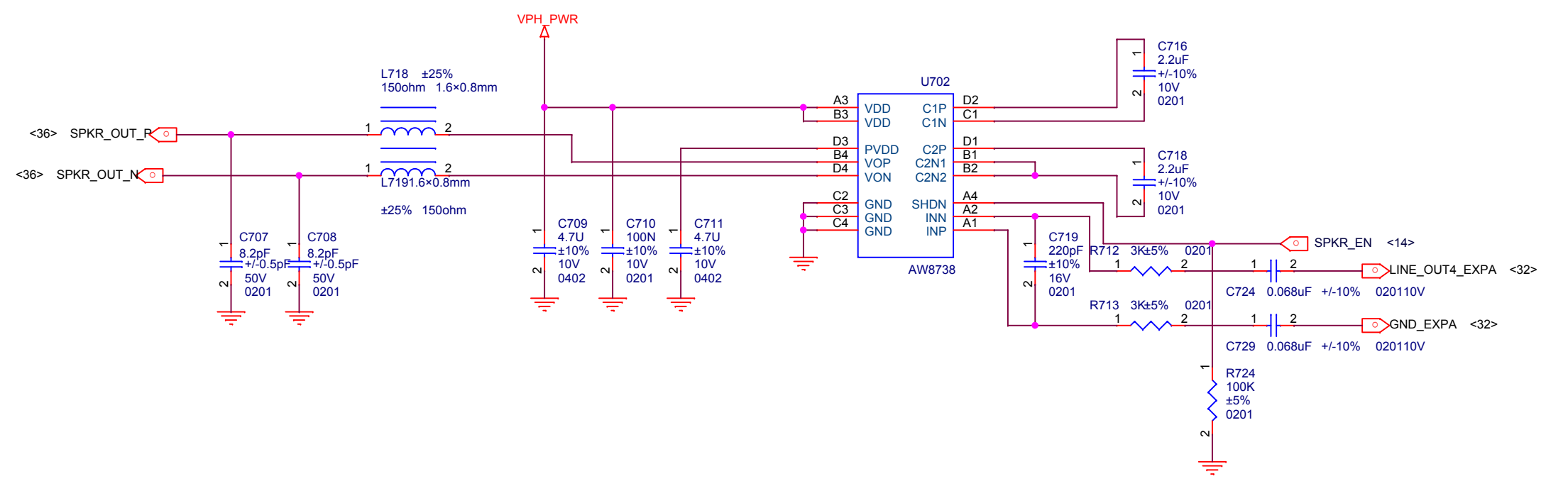
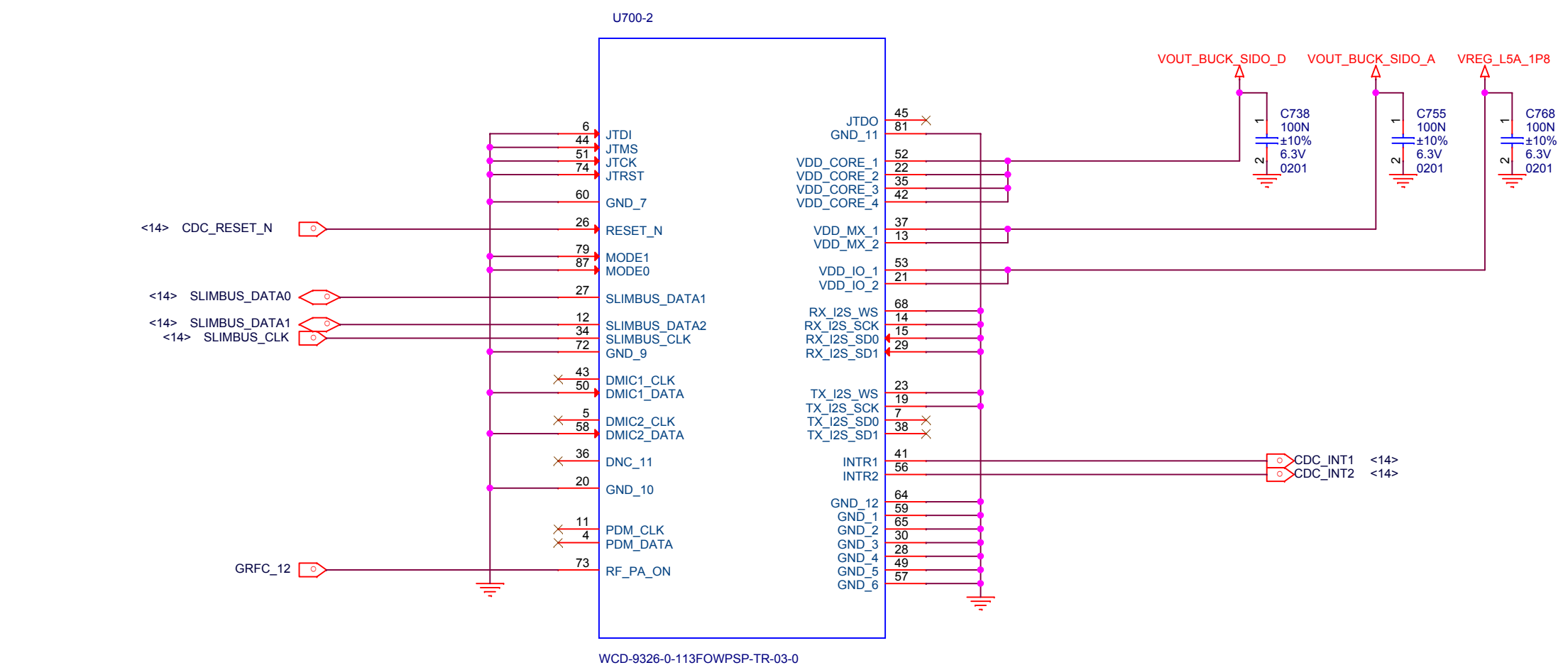
Title		
B3		
Size	Document Number	Rev
A3	<Doc>	P0
Date:	Thursday, January 21, 2016	Sheet 31 of 41



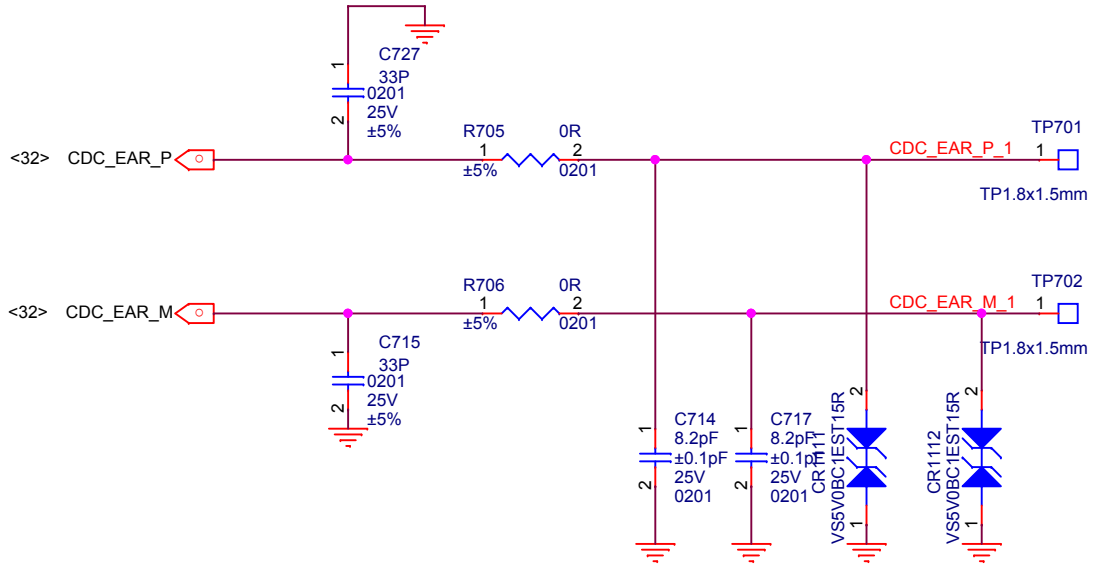
Title		B3	
Size	Document Number	Rev	
A4	<Doc>	P0	
Date:	Thursday, January 21, 2016	Sheet	32 of 41



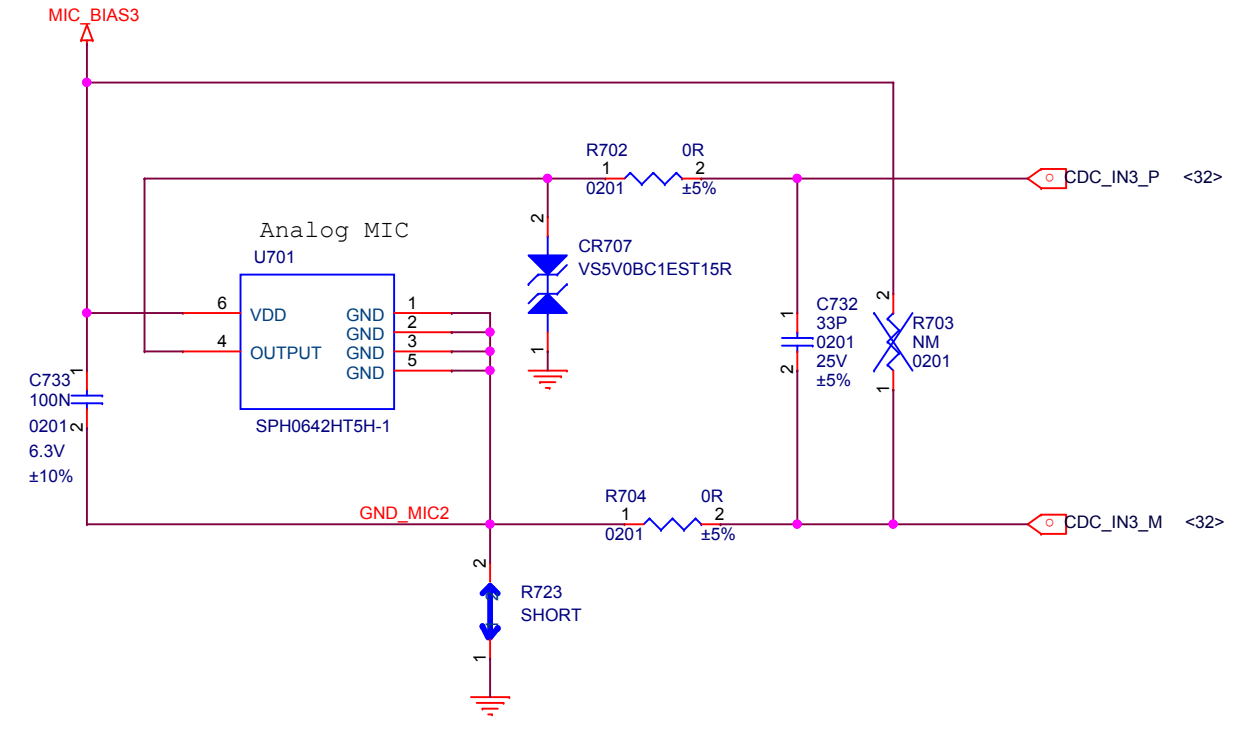
Title		
B3		
Size	Document Number	Rev
A3	<Doc>	P0
Date:	Thursday, January 21, 2016	Sheet 33 of 41



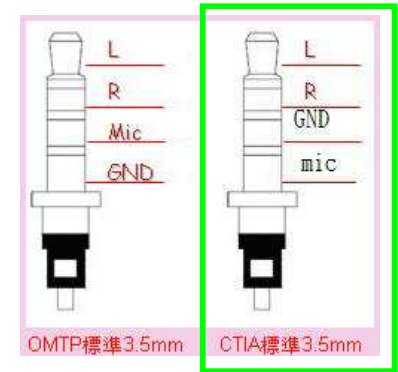
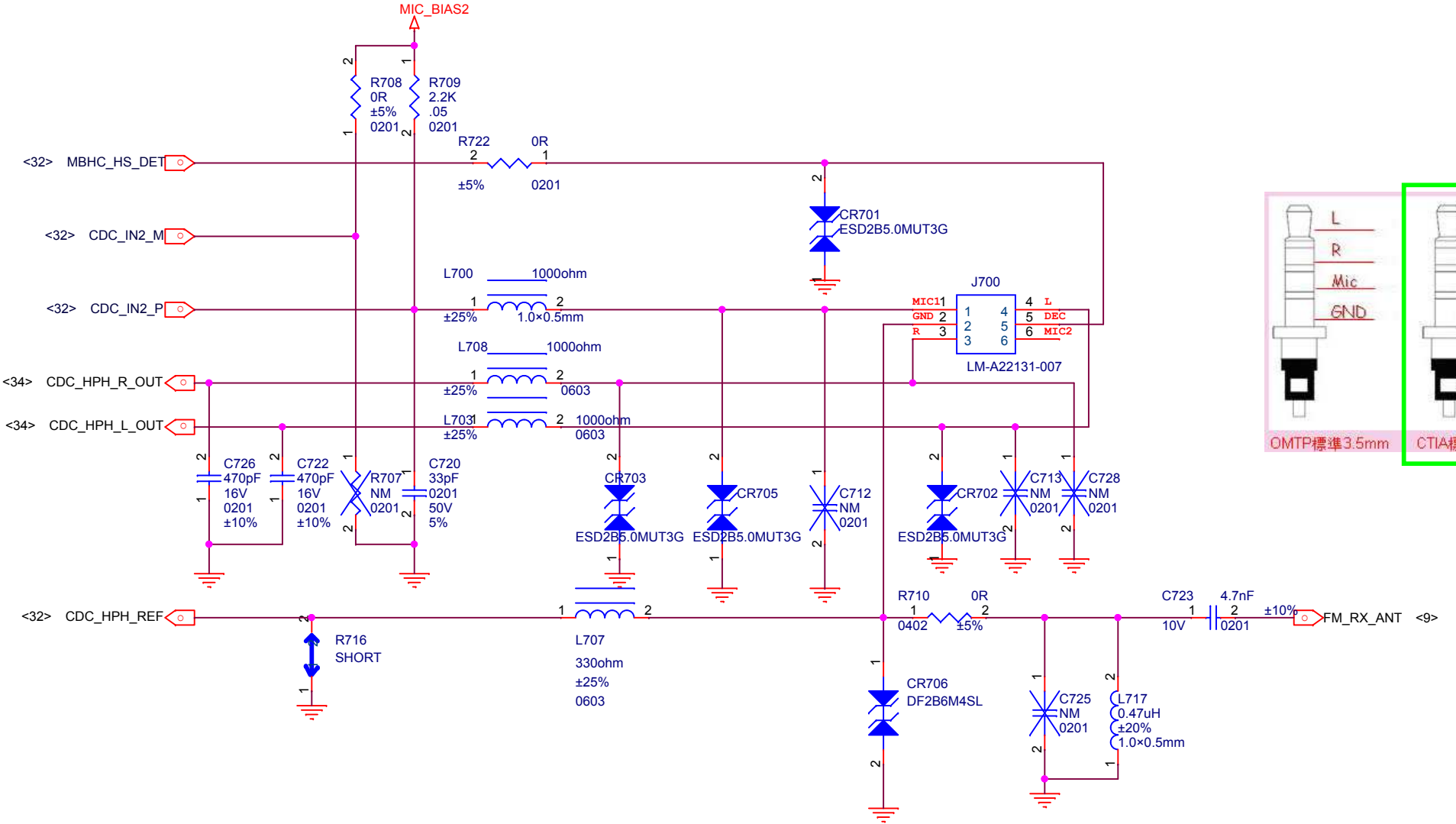
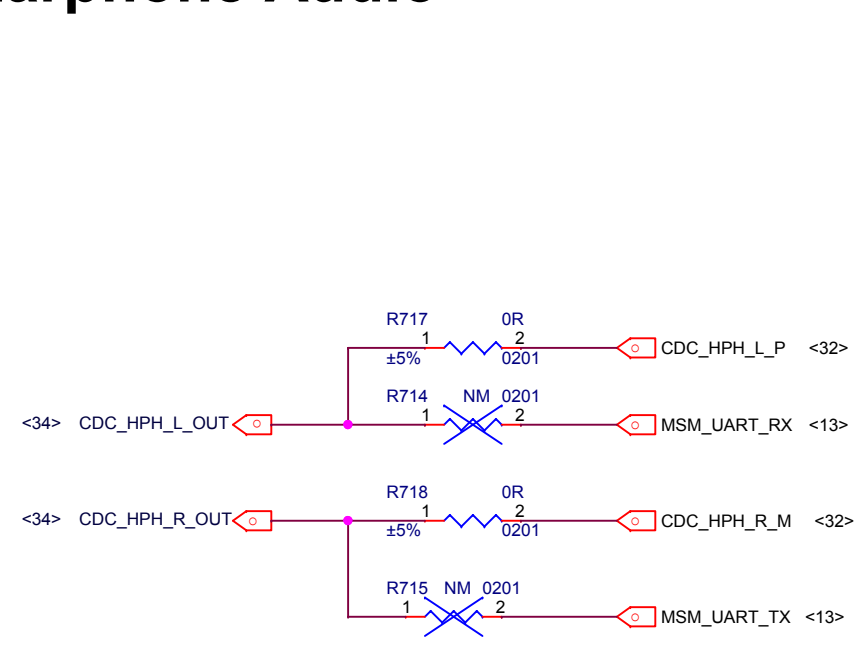
Receiver

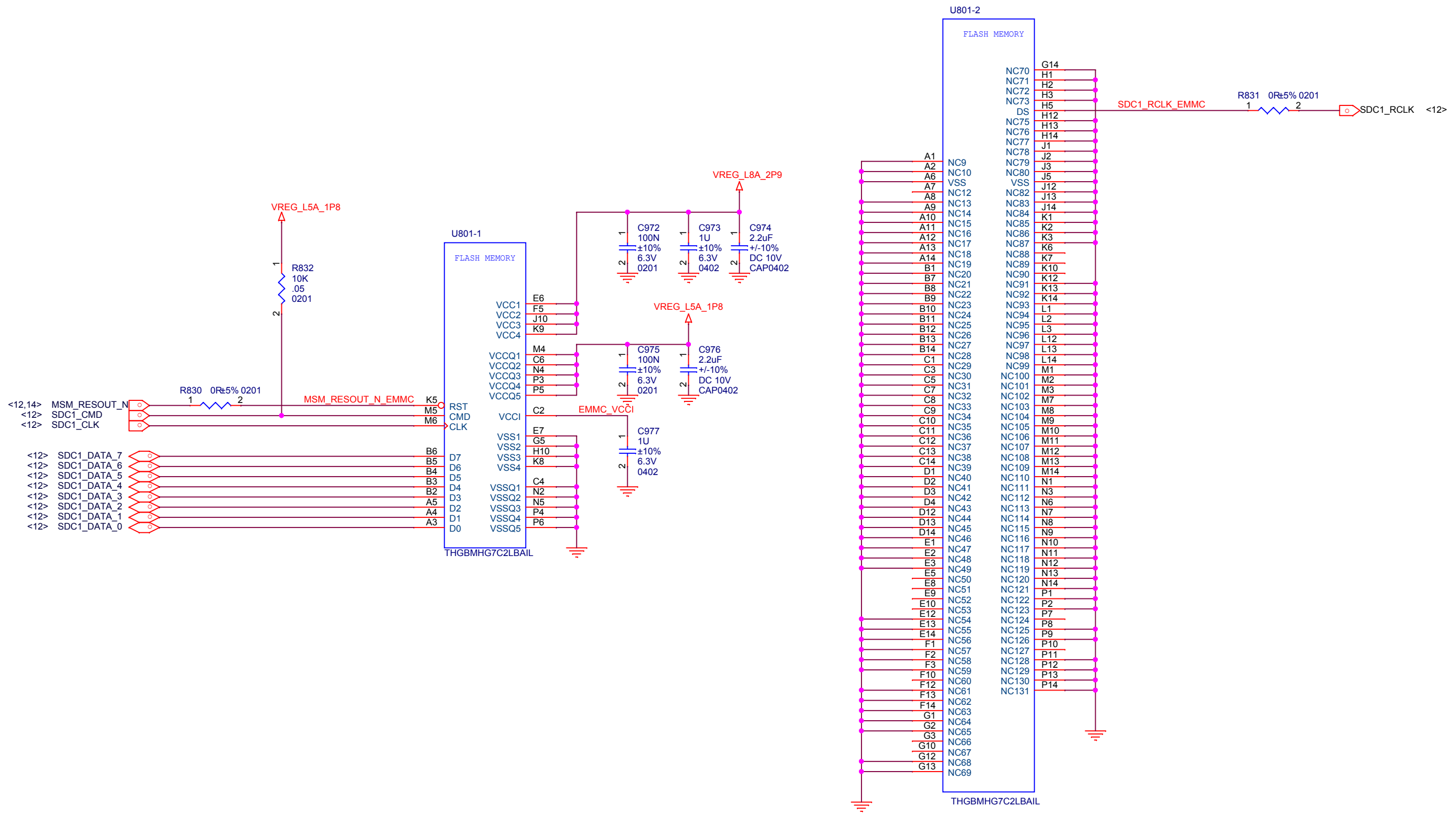


MIC3

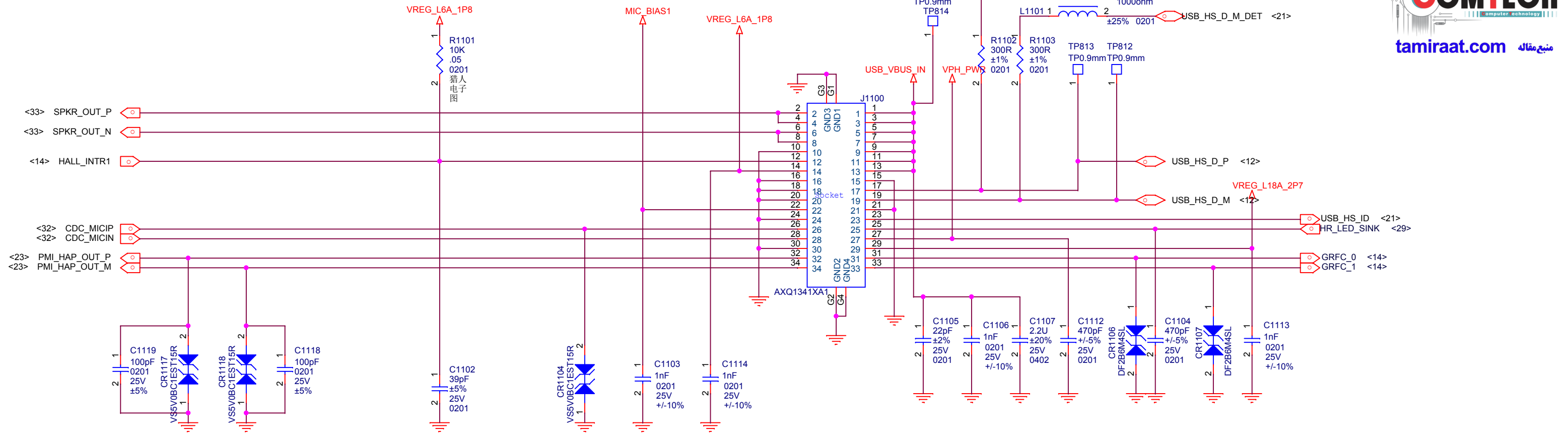


Earphone Audio



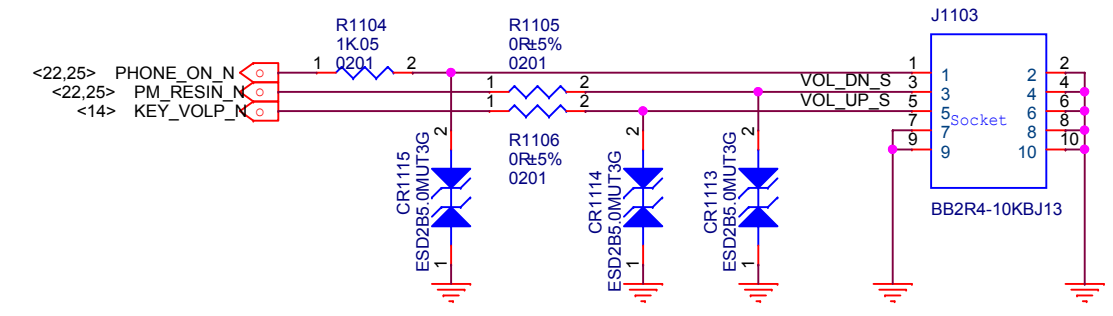


B2B

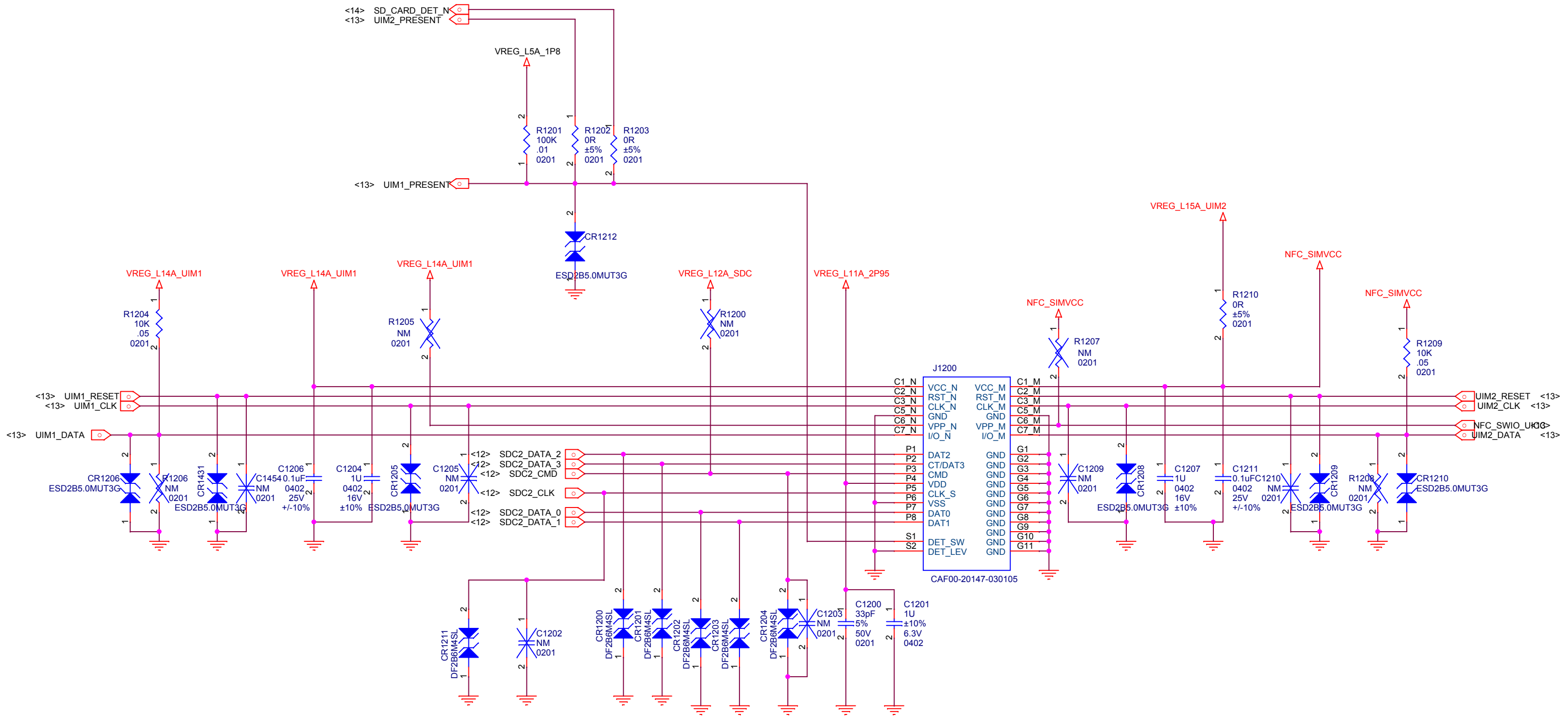


RECEIVER

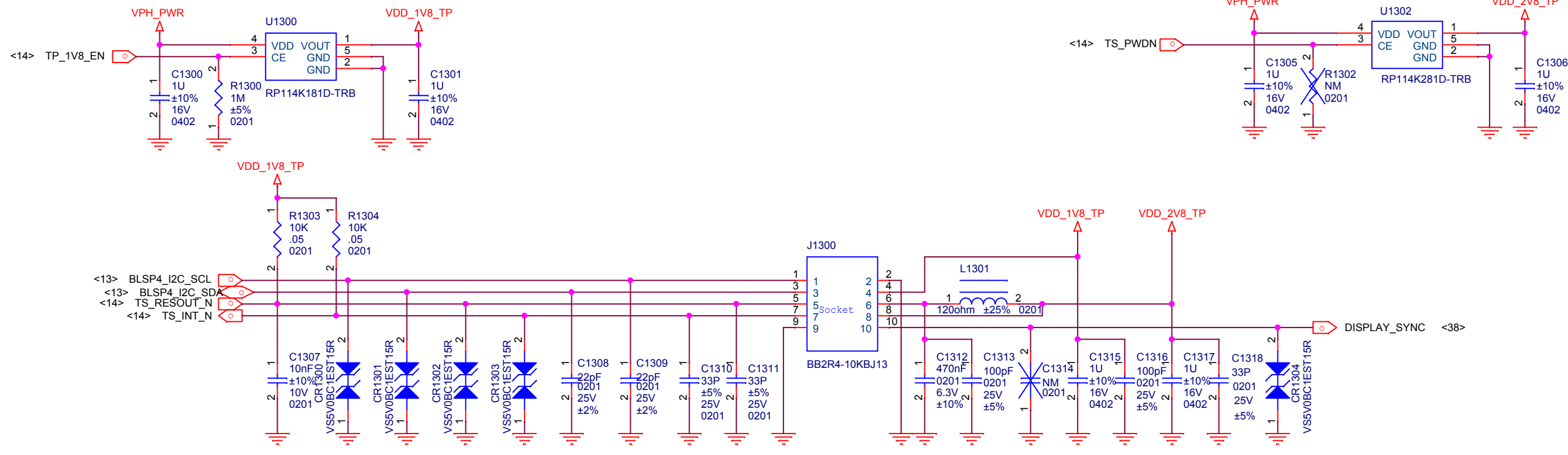
SIDE KEY



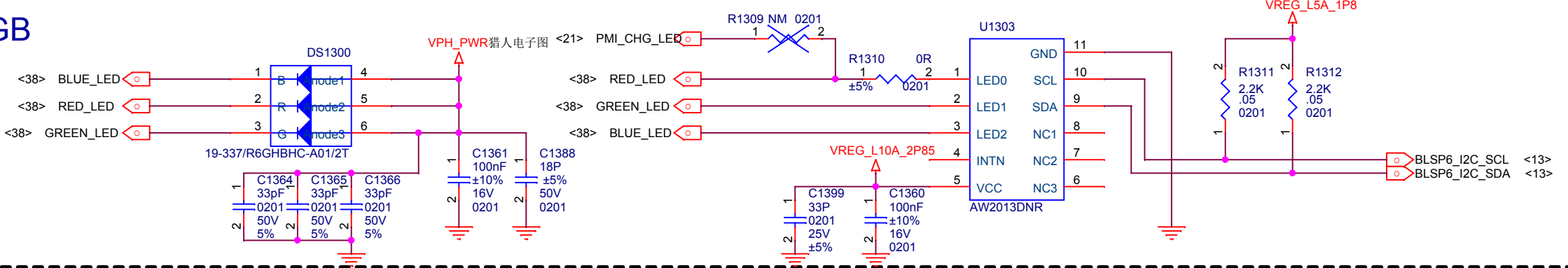
Title		B3
Size	Document Number	Rev
A3	<Doc>	P0
Date:	Monday, March 14, 2016	Sheet 37 of 41



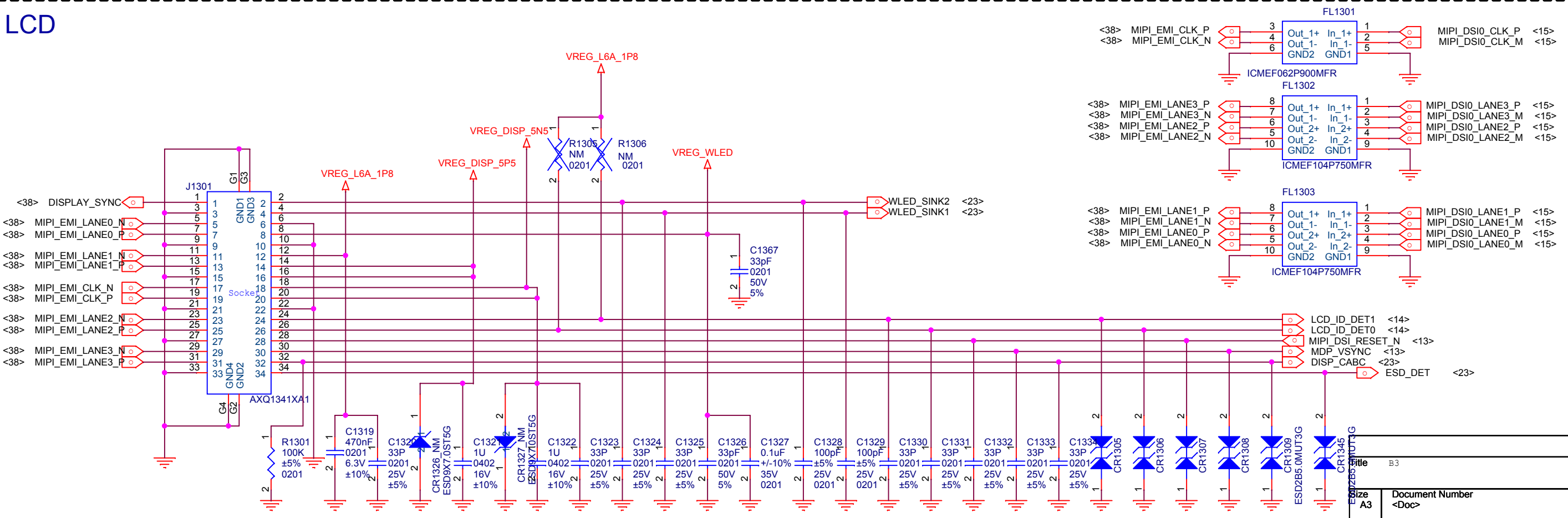
TP



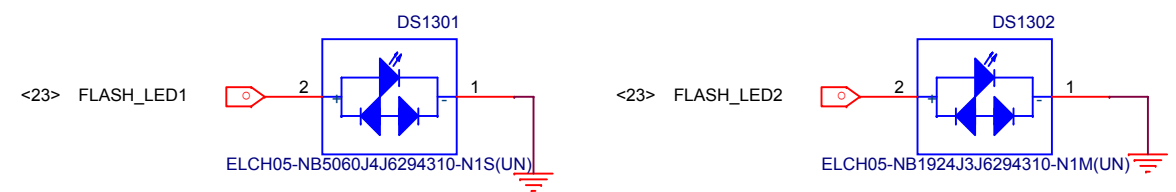
RGB



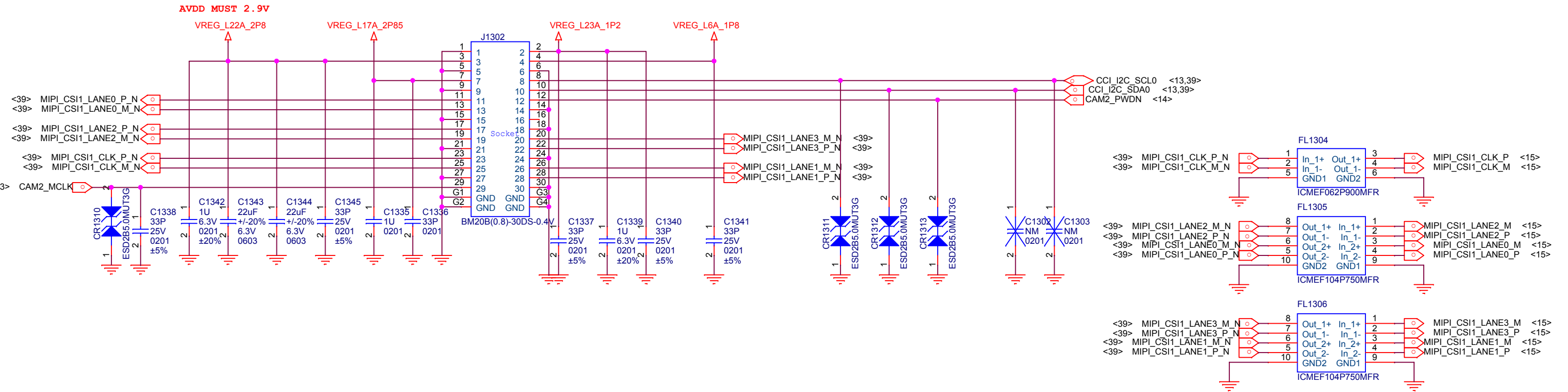
LCD



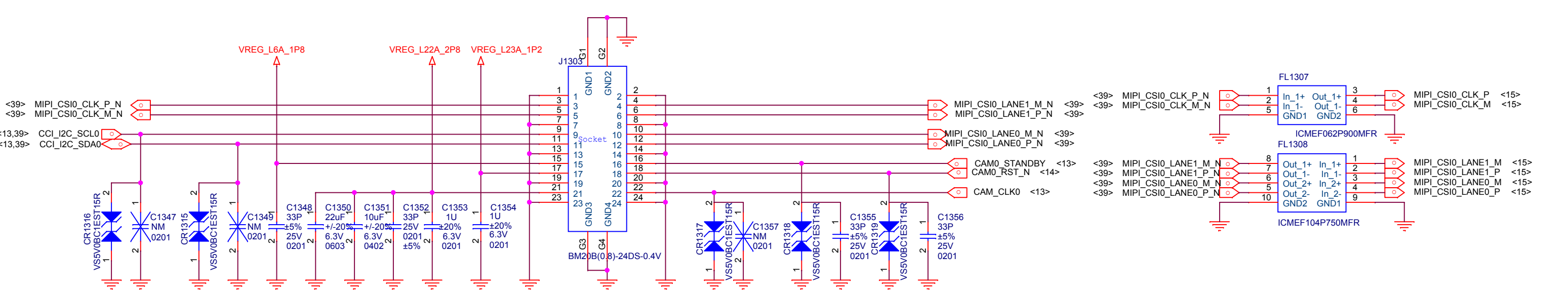
FlashLED



Rear Cam

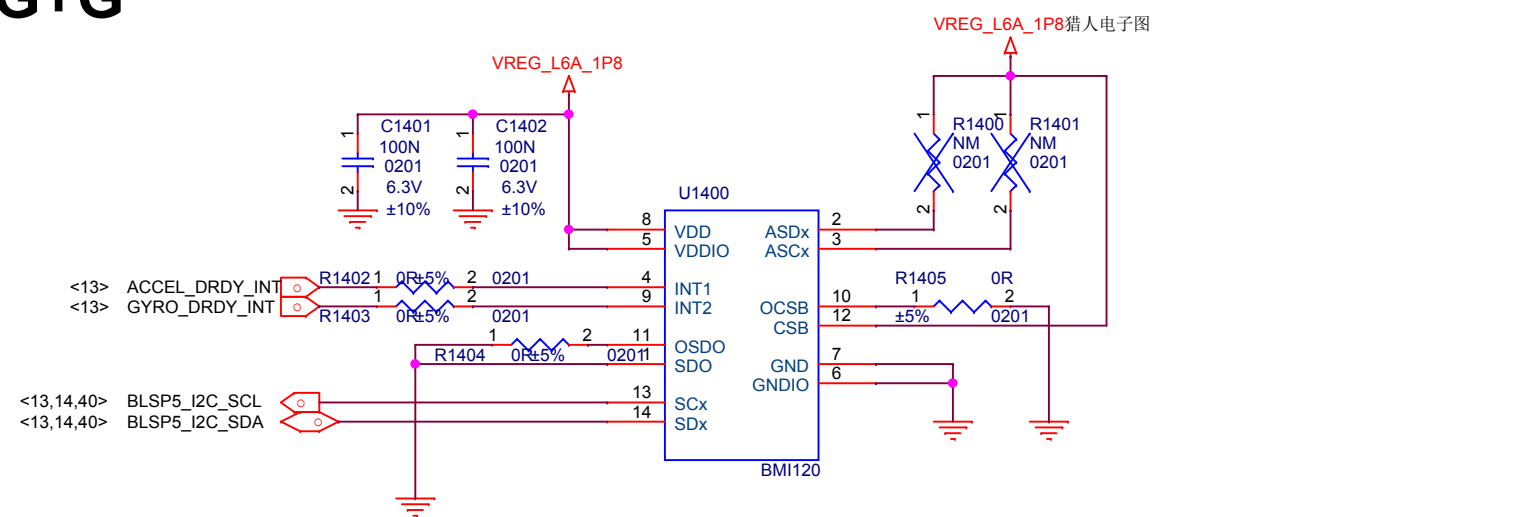


Front Cam

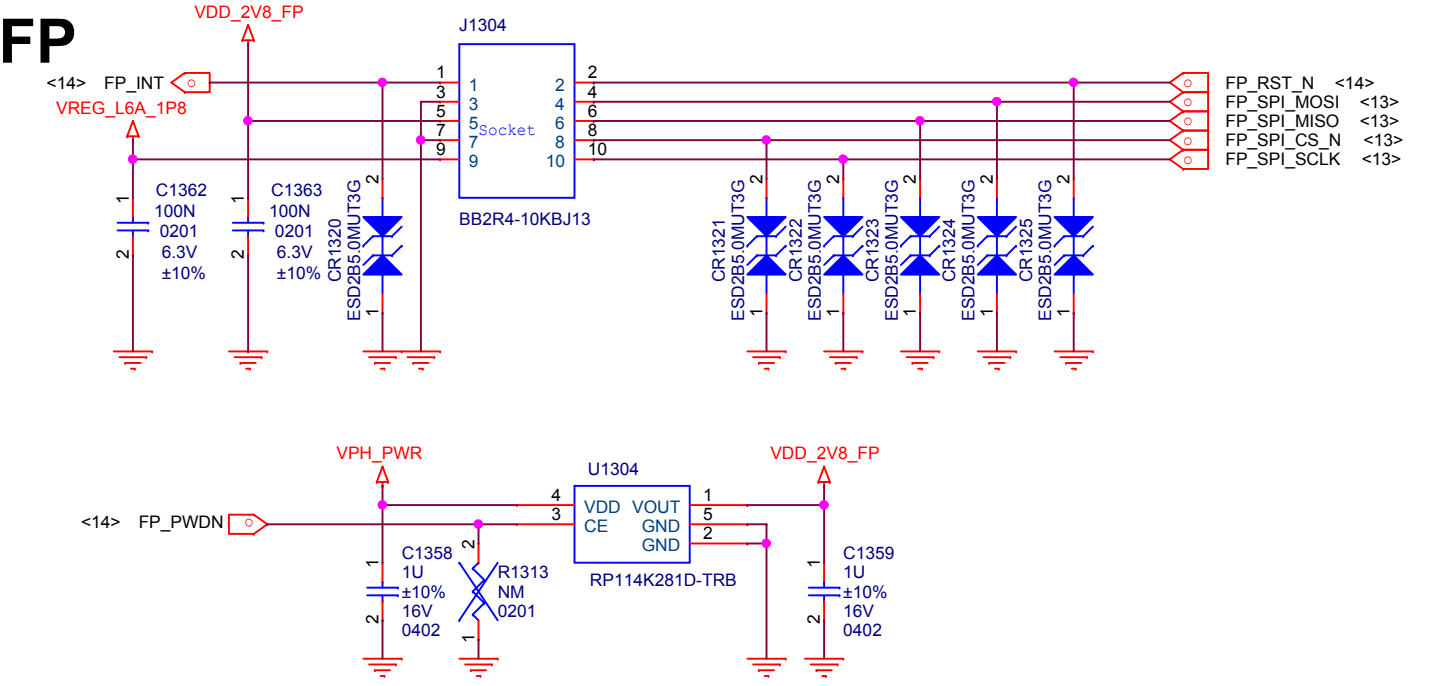


Title		B3
Size	Document Number	Rev P0
Date:	Monday, February 15, 2016	Sheet 40 of 41

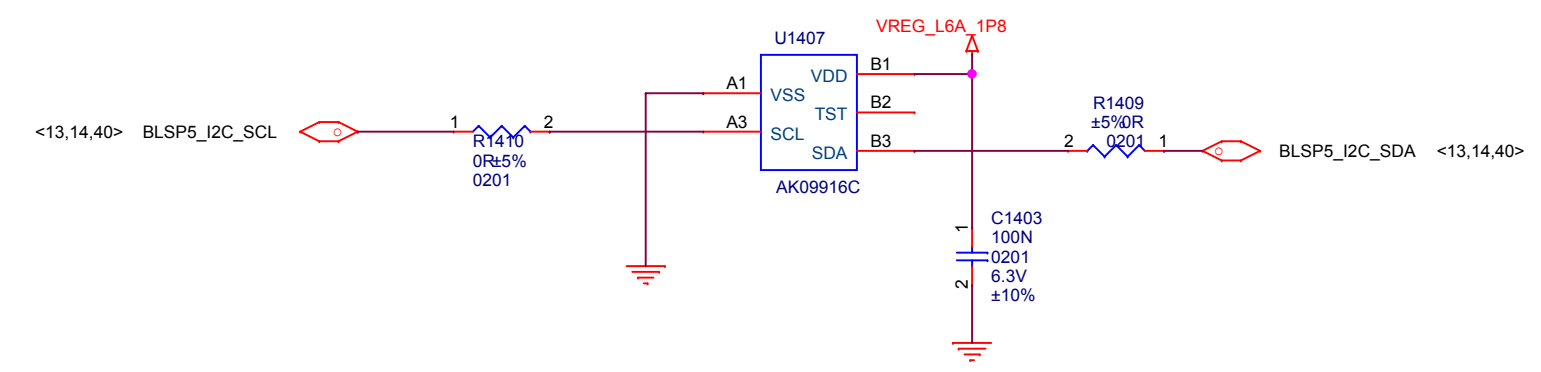
G+G



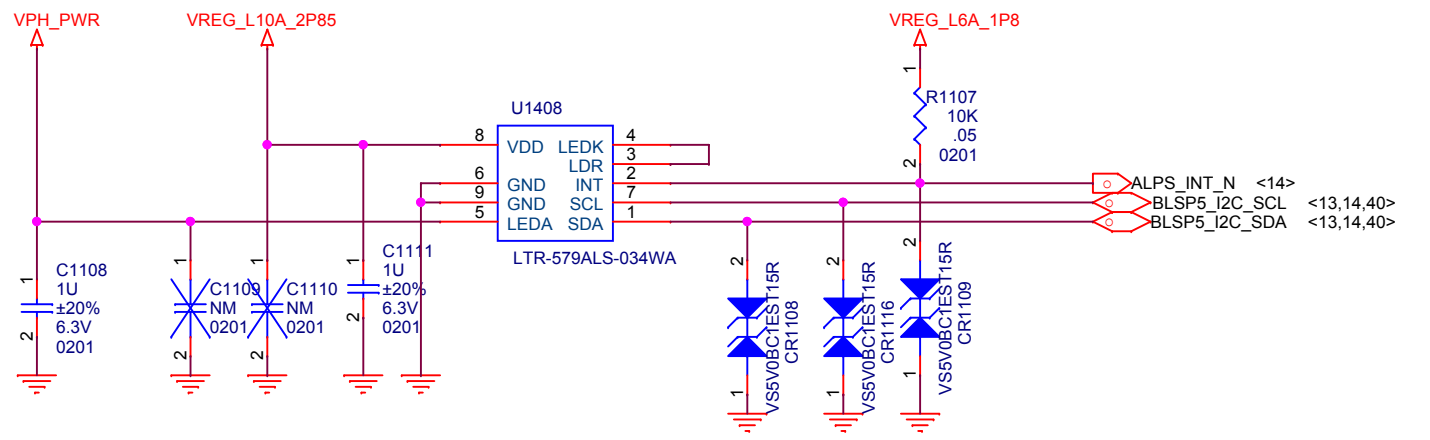
FP



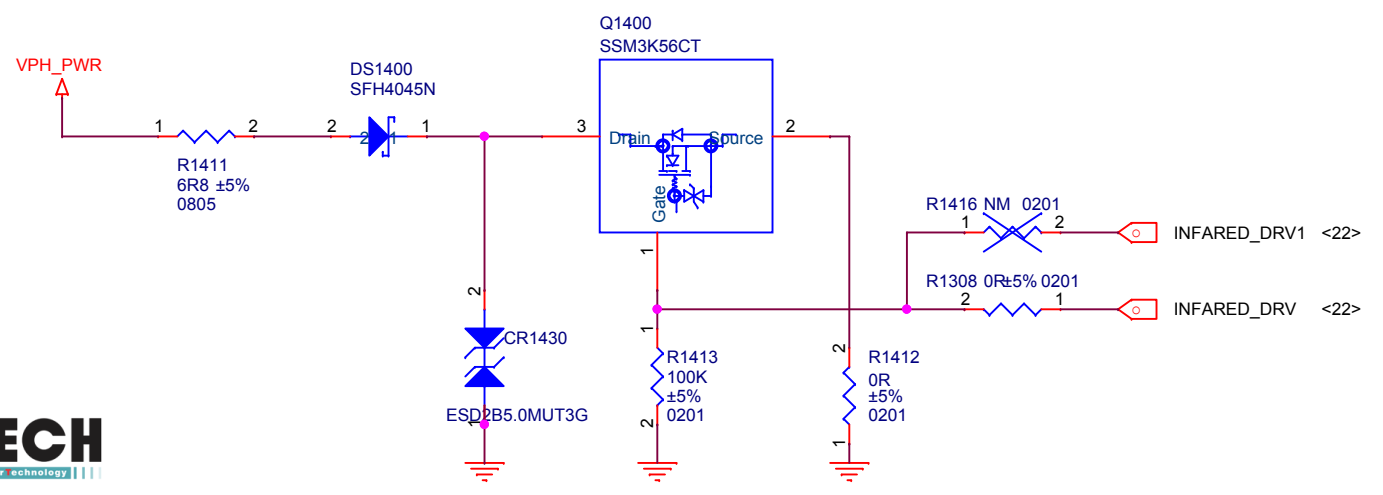
COMPASS



PSENSOR



INFARED



Title B3		
Size A3	Document Number	Rev P0
Date: Thursday, January 21, 2016	Sheet 41 of 41	