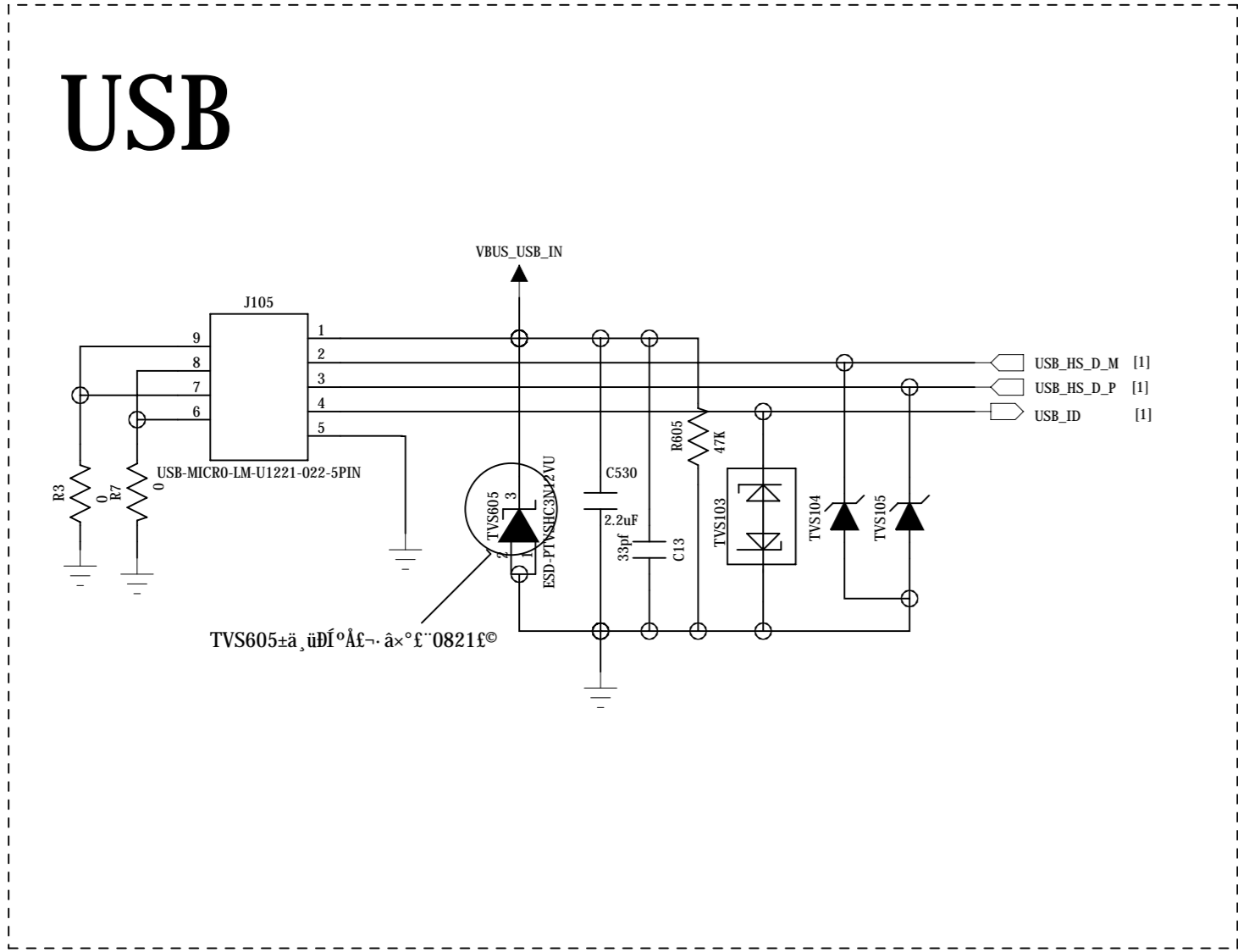
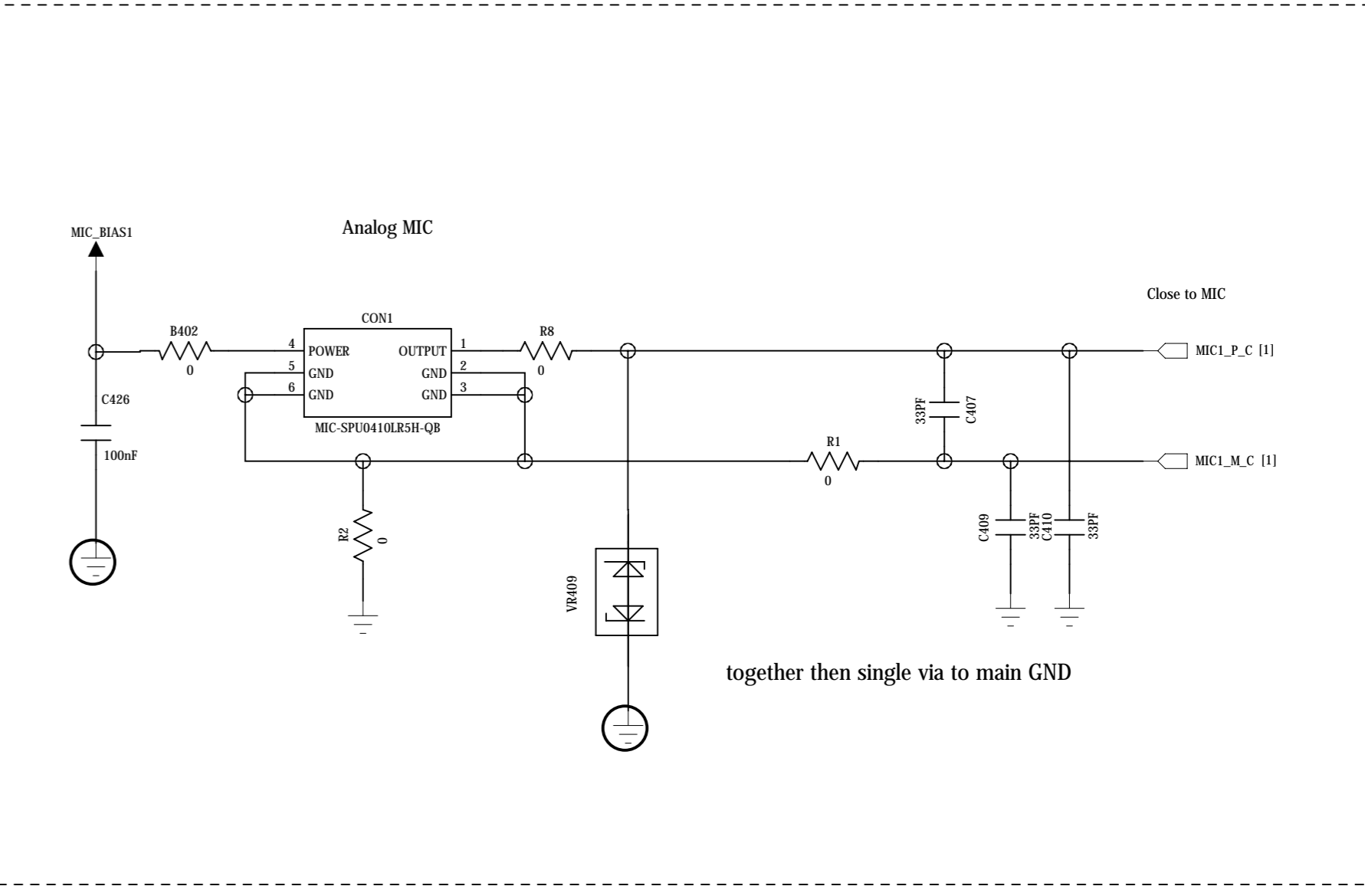
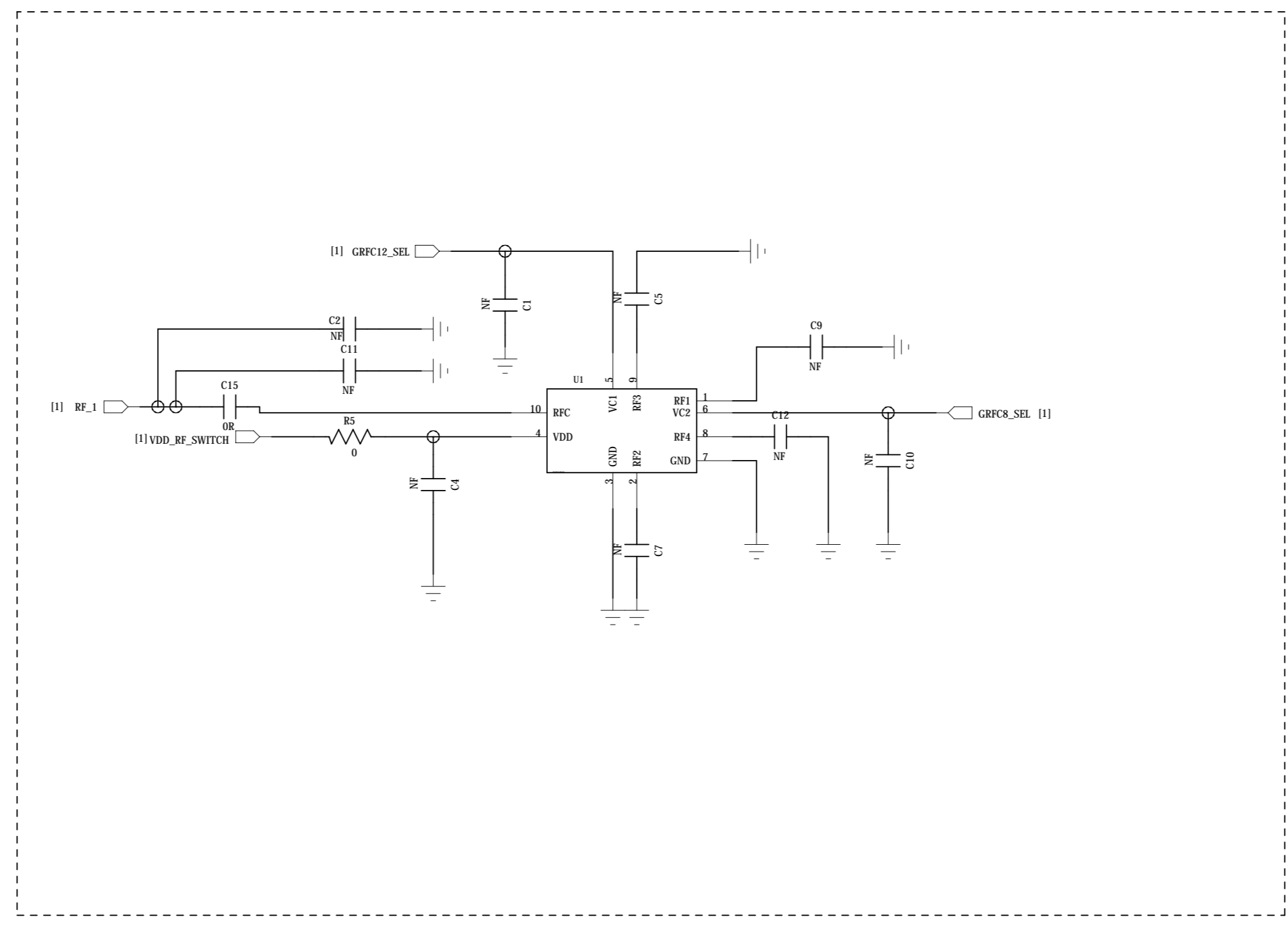


RF

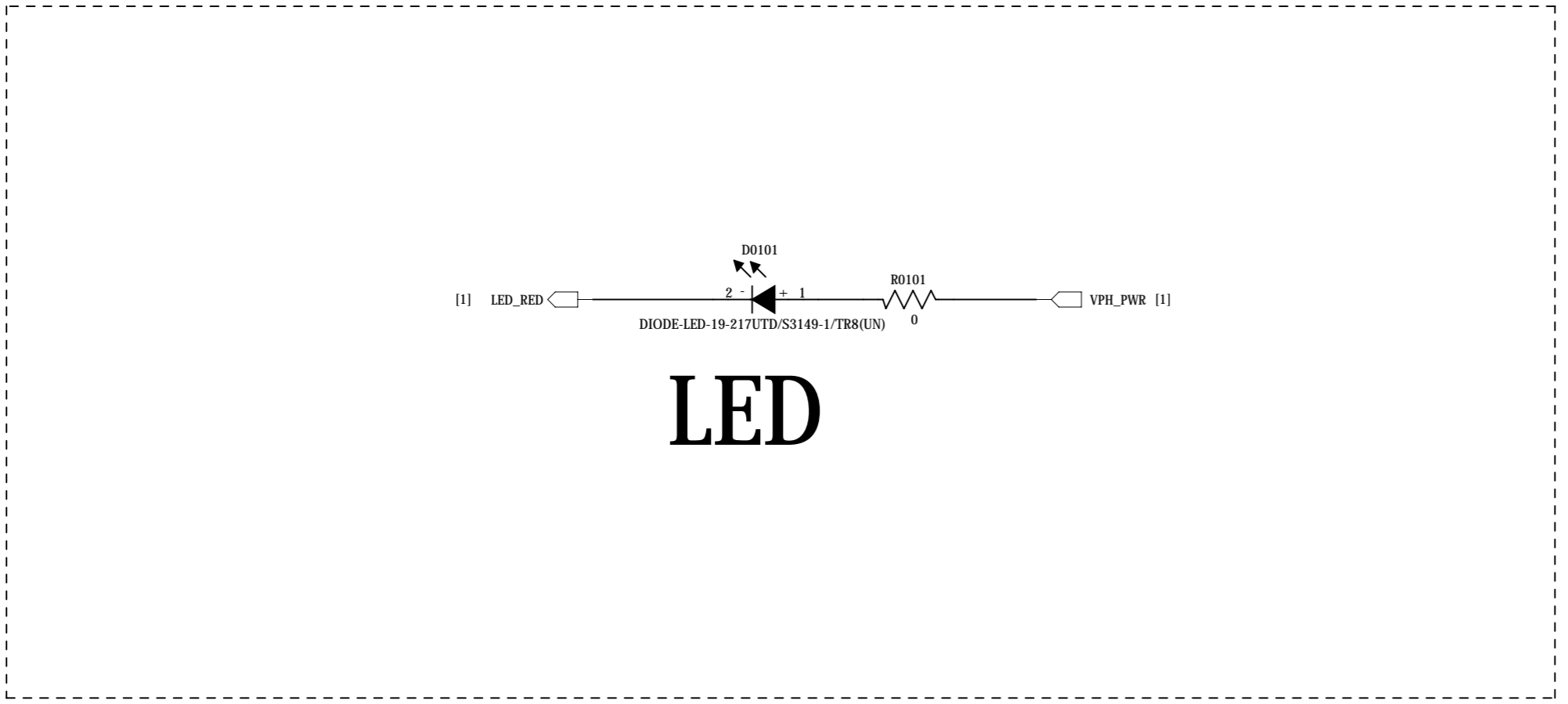


USB

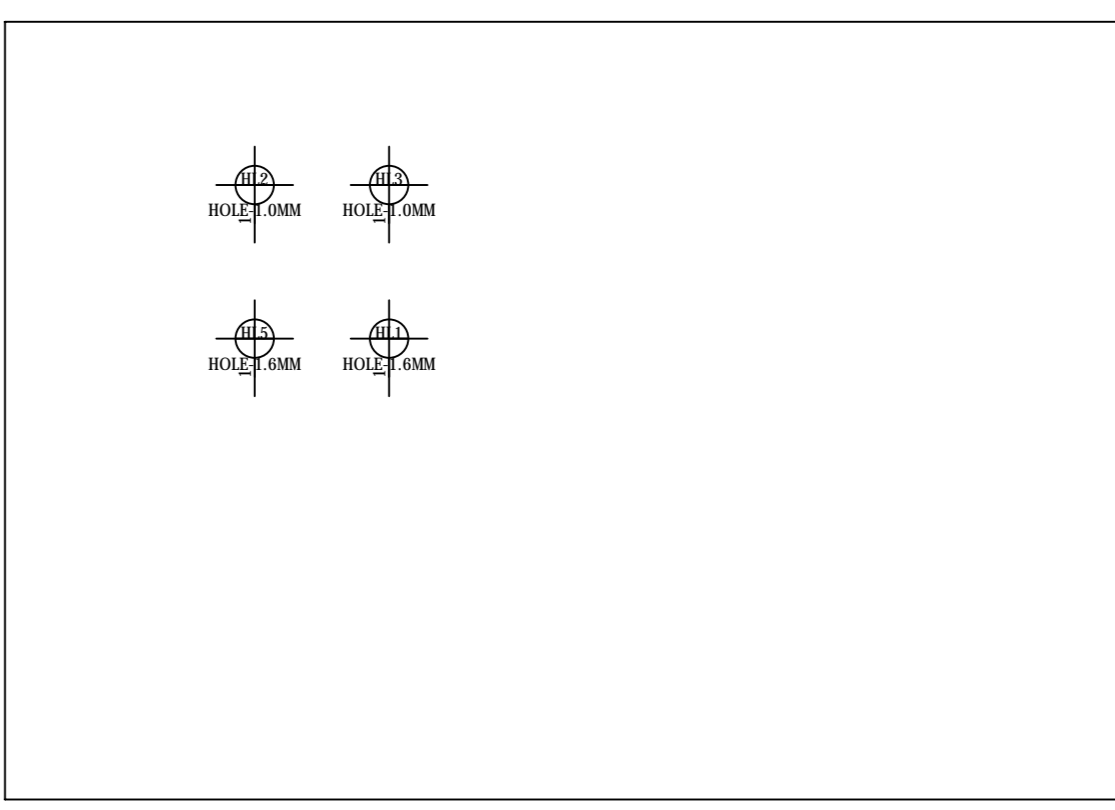


Analog MIC

together then single via to main GND



LED



TITLE:	23007_2_10	REV:	1.1.1
DOCUMENT NO.:	1.KEYPAD	SIZED:	A1
DEPARTMENT:	Hardware DEPT.		
COMPANY:			
DESIGNER:	<DESIGNER>	Last Saved Date:	2017/6/27
		SHEET:	1 OF 1