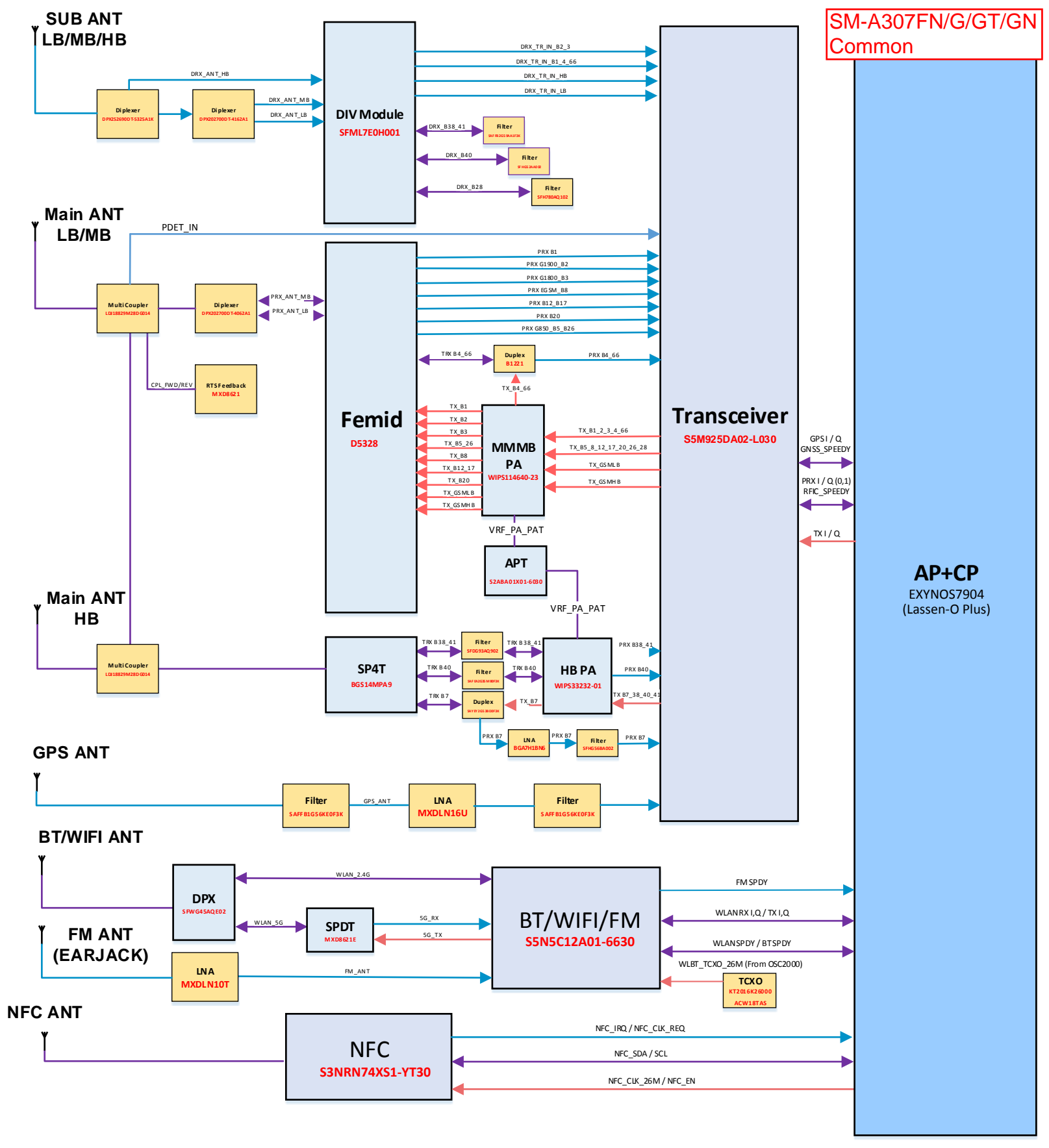
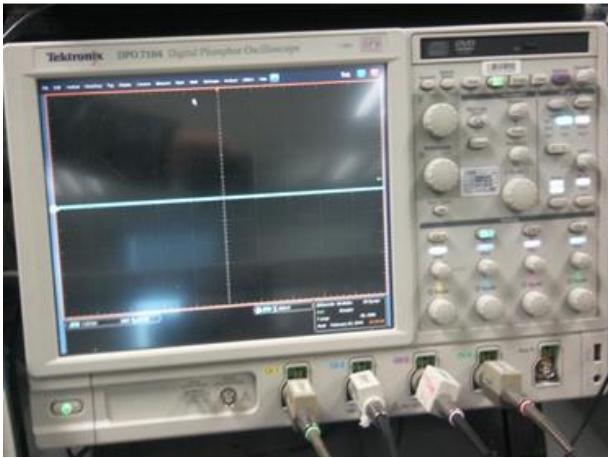


SM-A307FN/G/GT/GN
Common



8. Level 3 Repair

8-3. Flow chart of Troubleshooting.



Oscilloscope



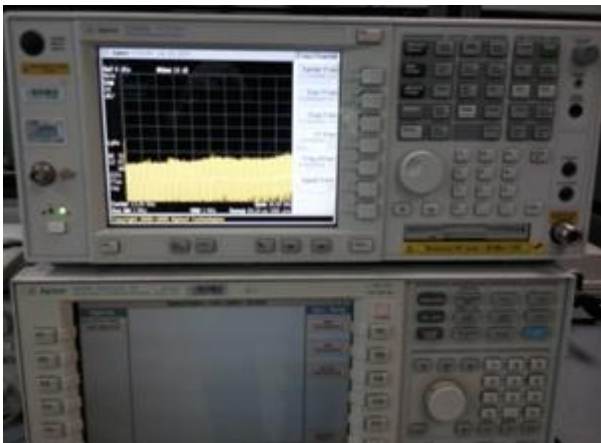
Digital Multimeter



Power Supply



+ driver, ESD Safe Tweezer



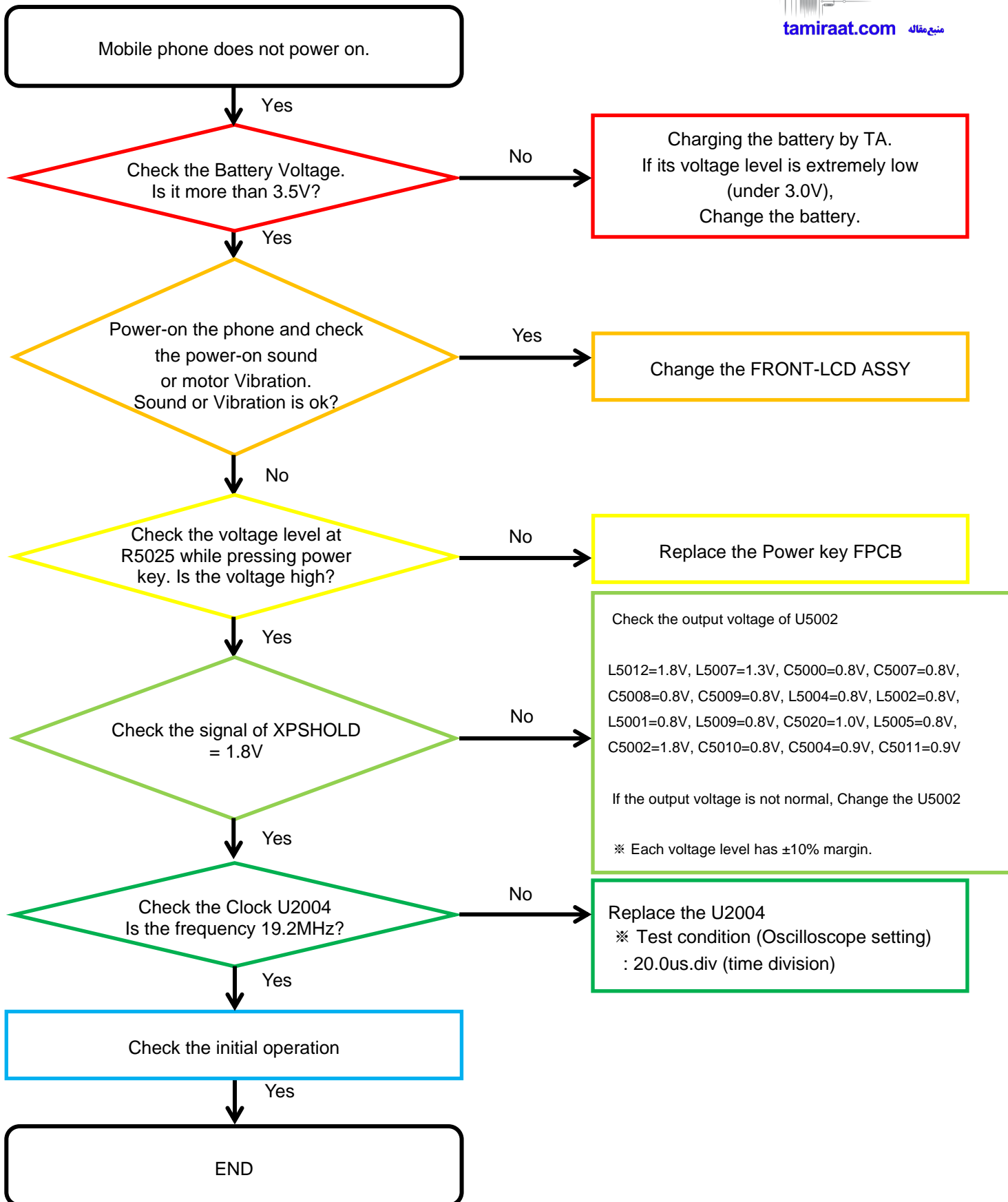
8960 & Spectrum Analyzer



Soldering iron

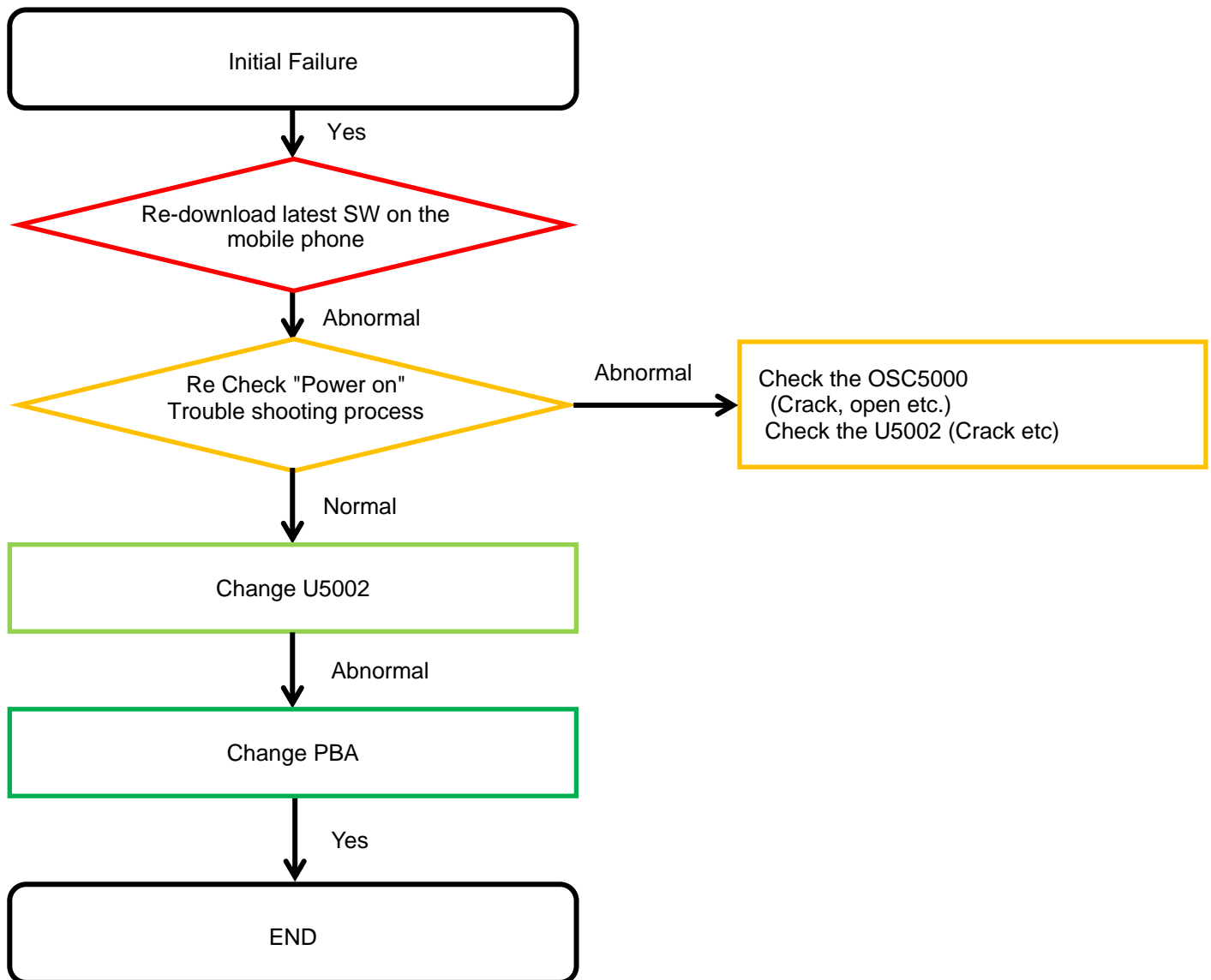
8. Level 3 Repair

8-4-1. Power On



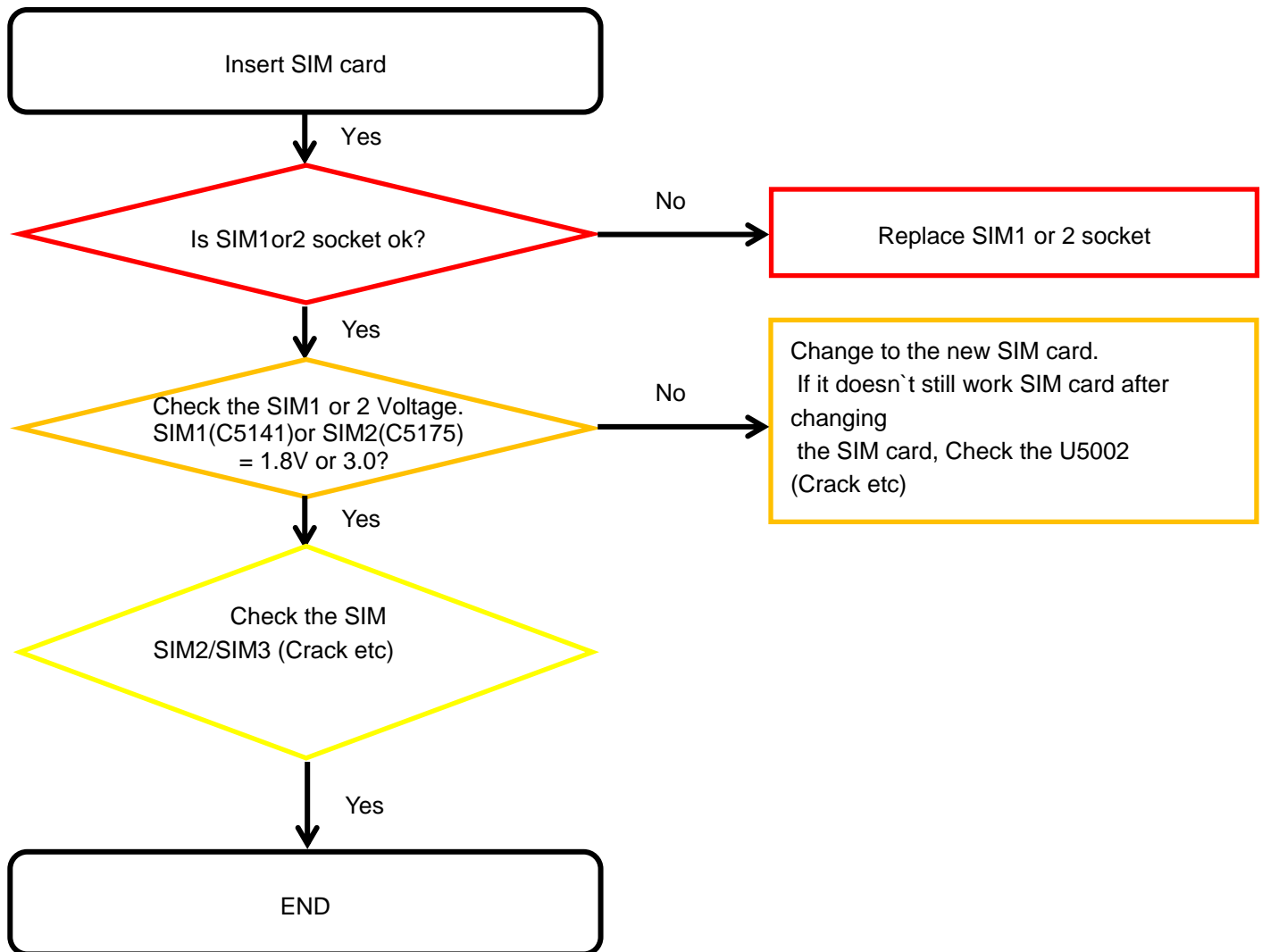
8. Level 3 Repair

8-4-2. Initial



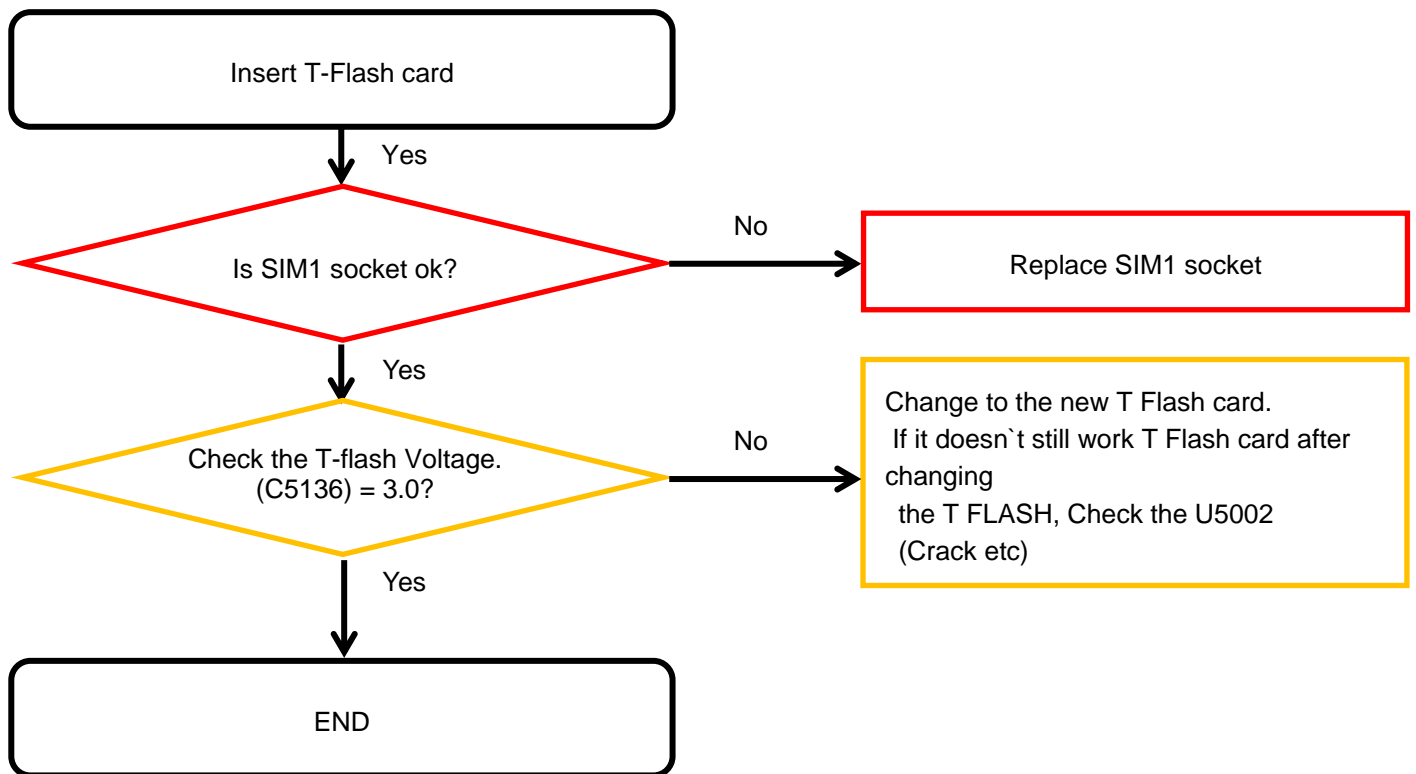
8. Level 3 Repair

8-4-3. SIM Part



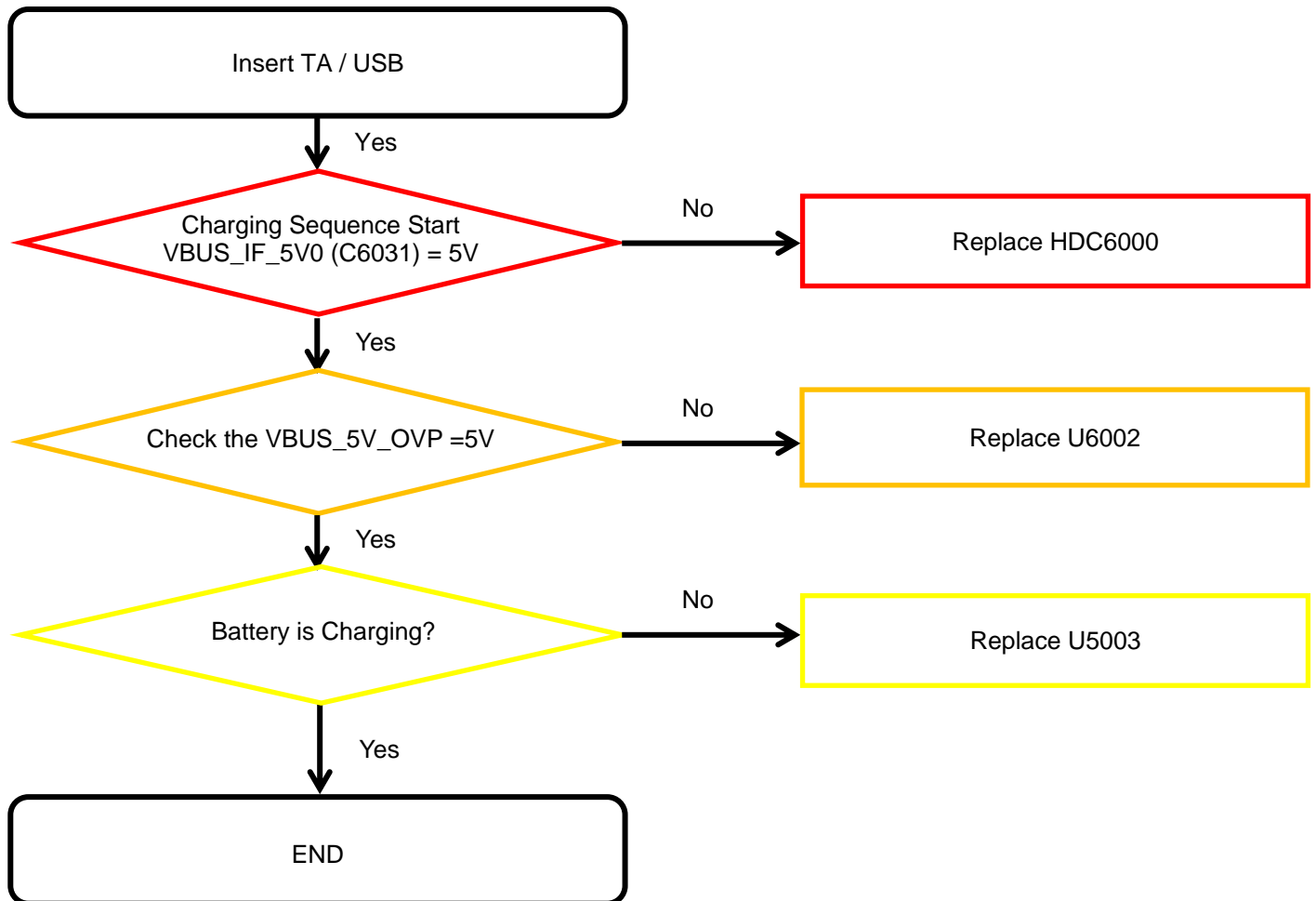
8. Level 3 Repair

8-4-4. T-Flash Part



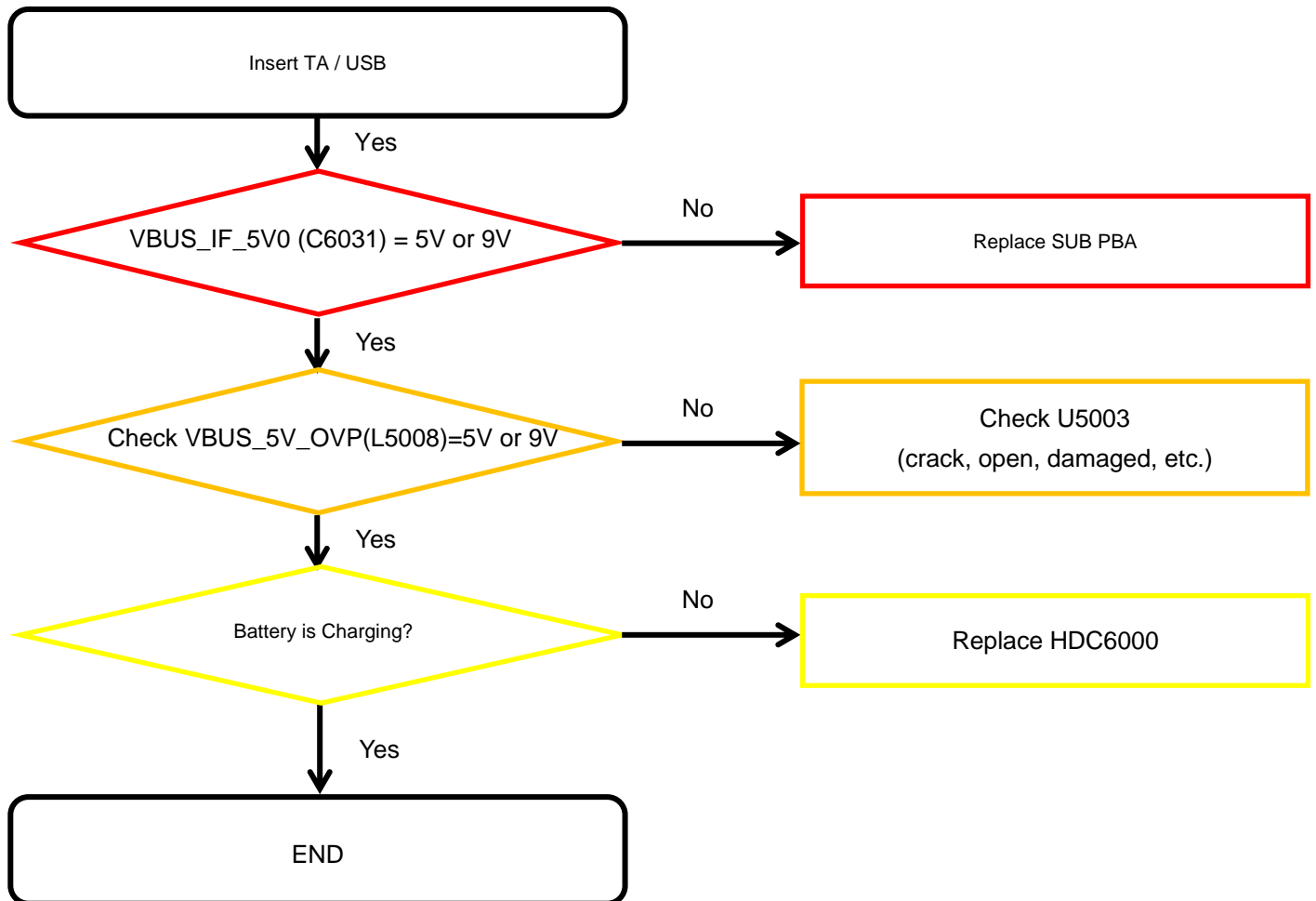
8. Level 3 Repair

8-4-5. Charging Part



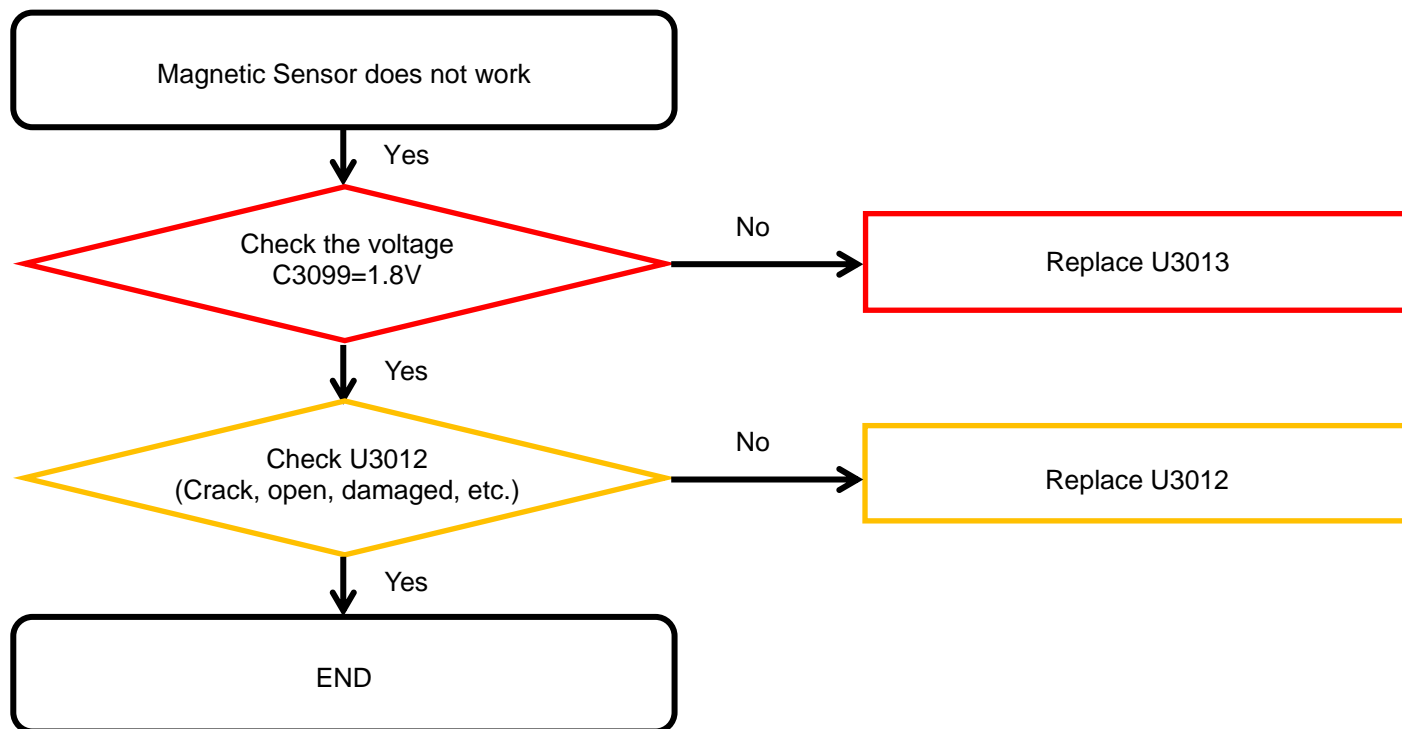
8. Level 3 Repair

8-4-6. Cable Charging Part



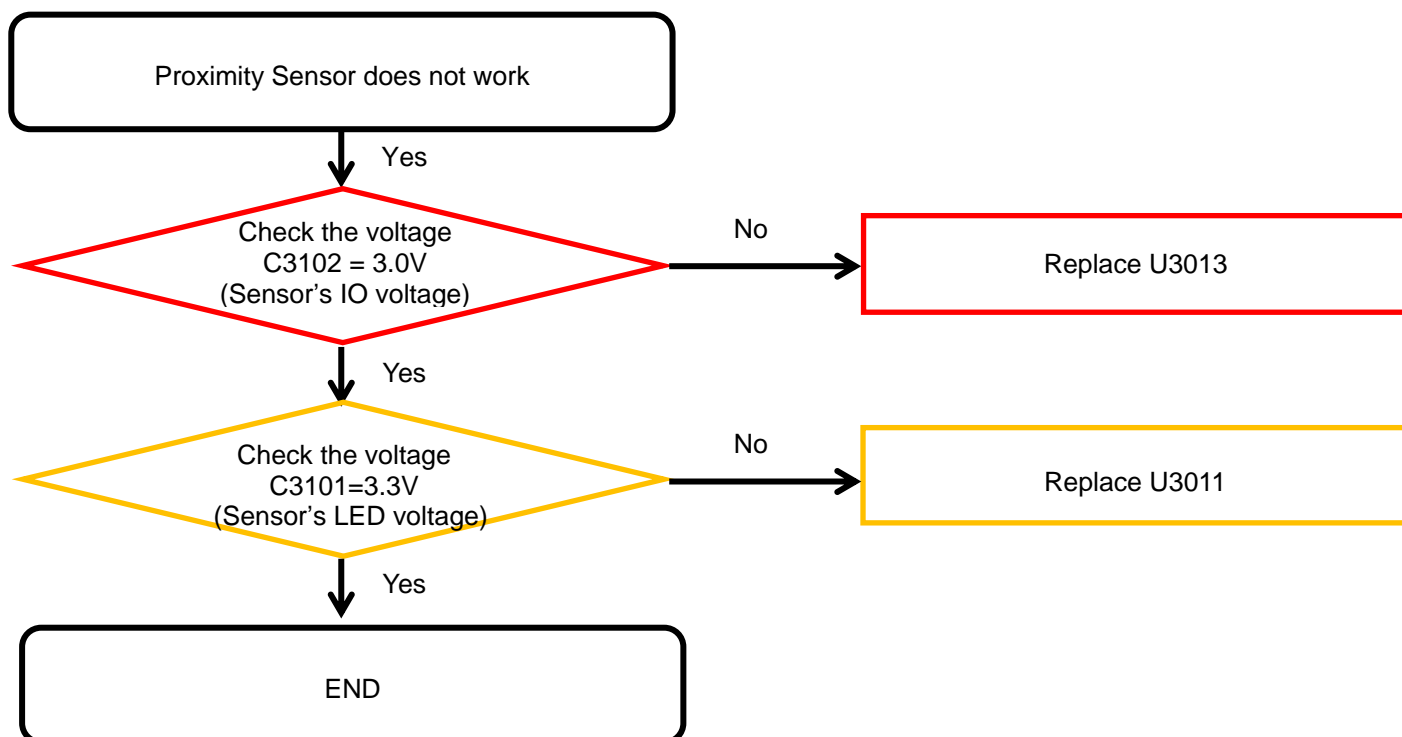
8. Level 3 Repair

8-4-7-1. Accel Sensor



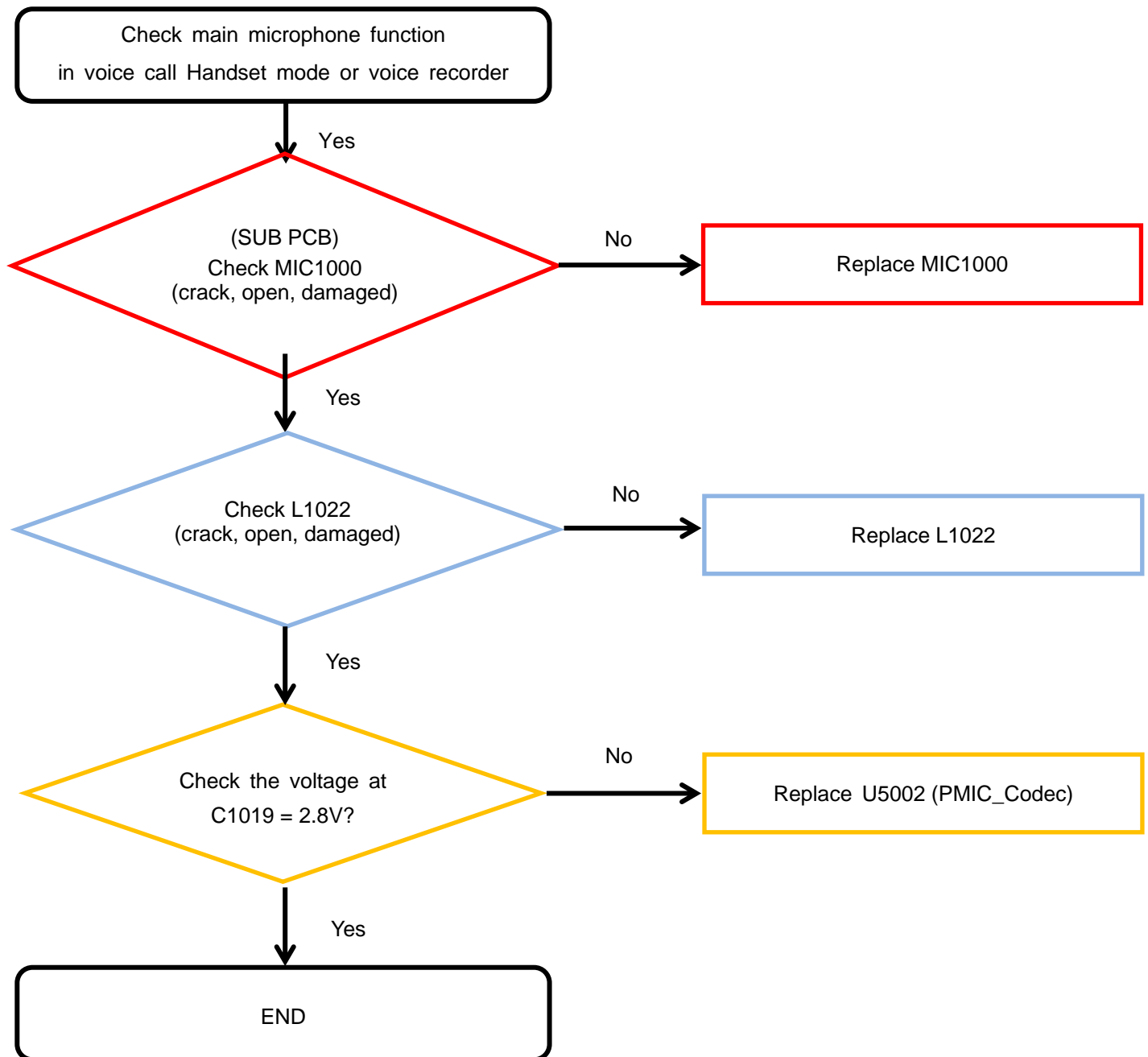
8. Level 3 Repair

8-4-7-2. Proximity sensor



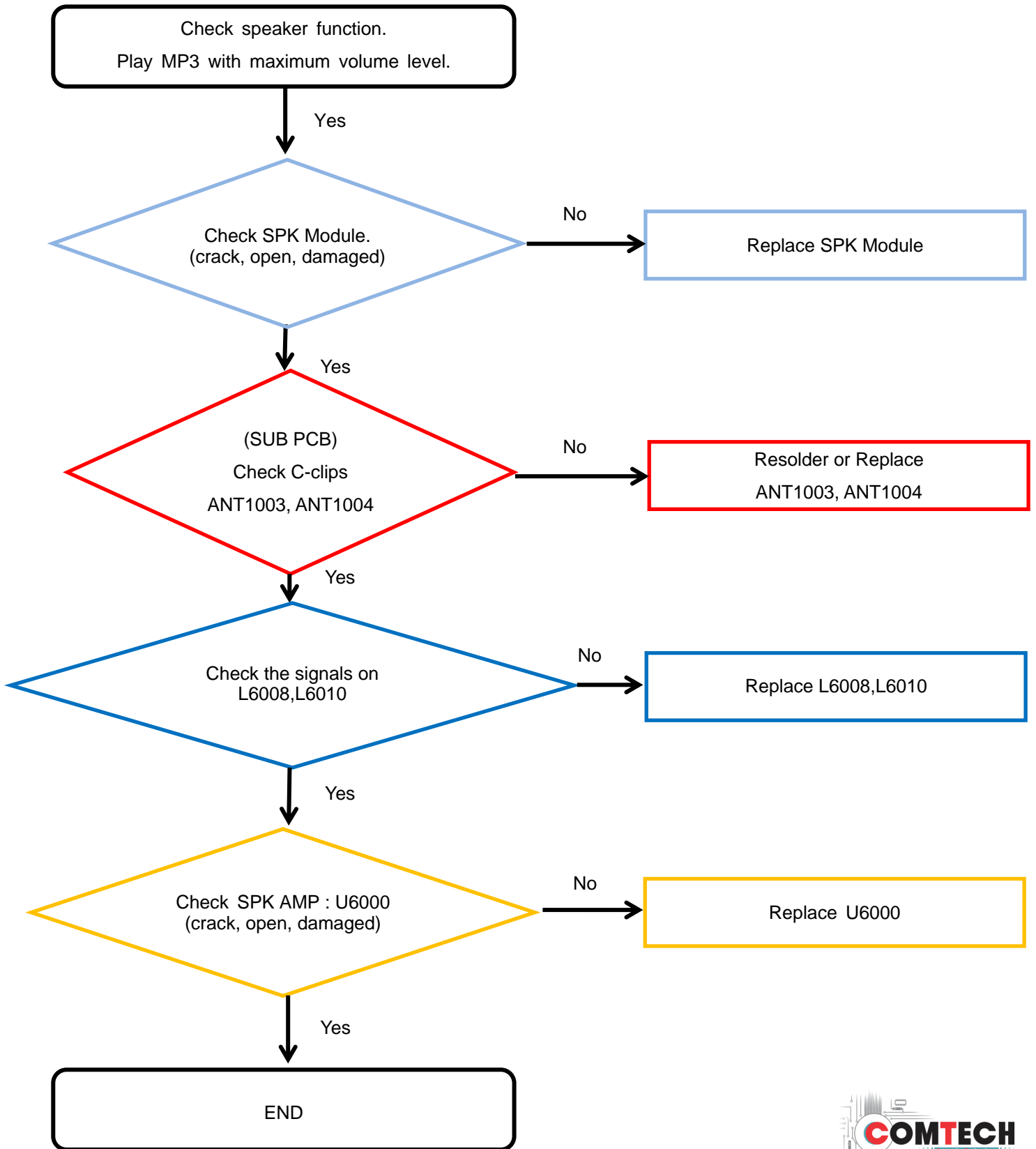
8. Level 3 Repair

8-4-8. Microphone Part - Main MIC



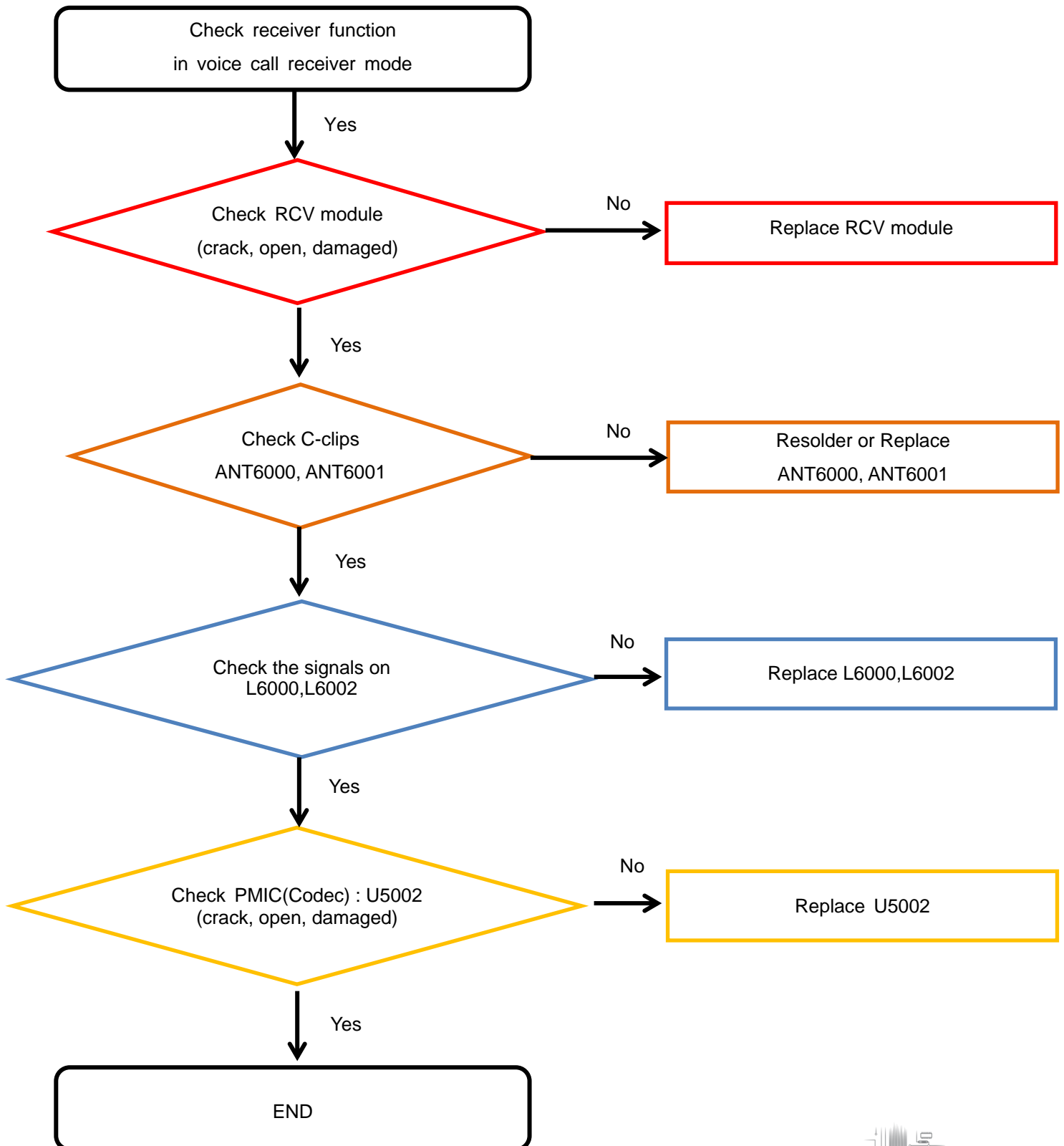
8. Level 3 Repair

8-4-9. Speaker Part



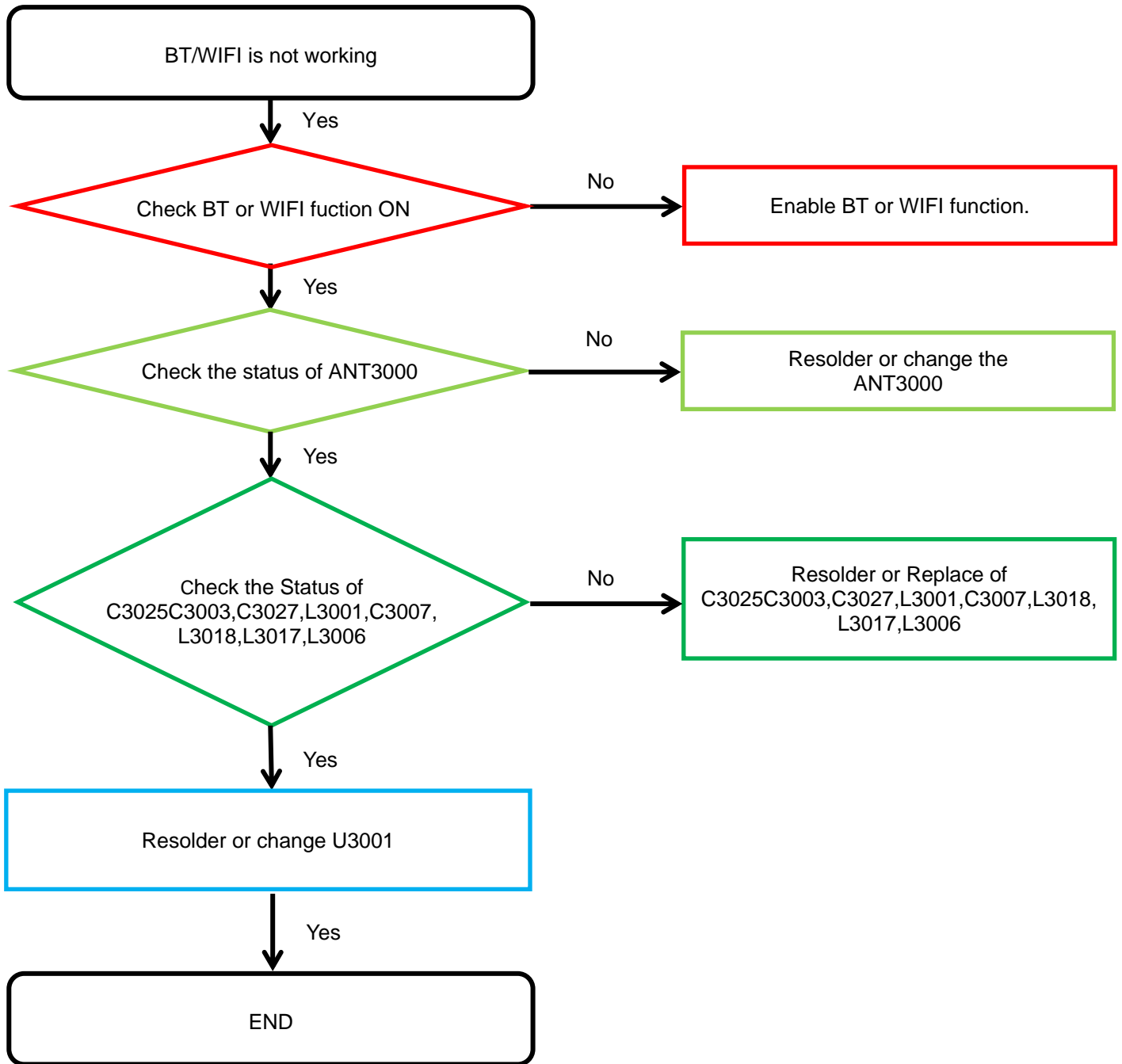
8. Level 3 Repair

8-4-10. Receiver Part



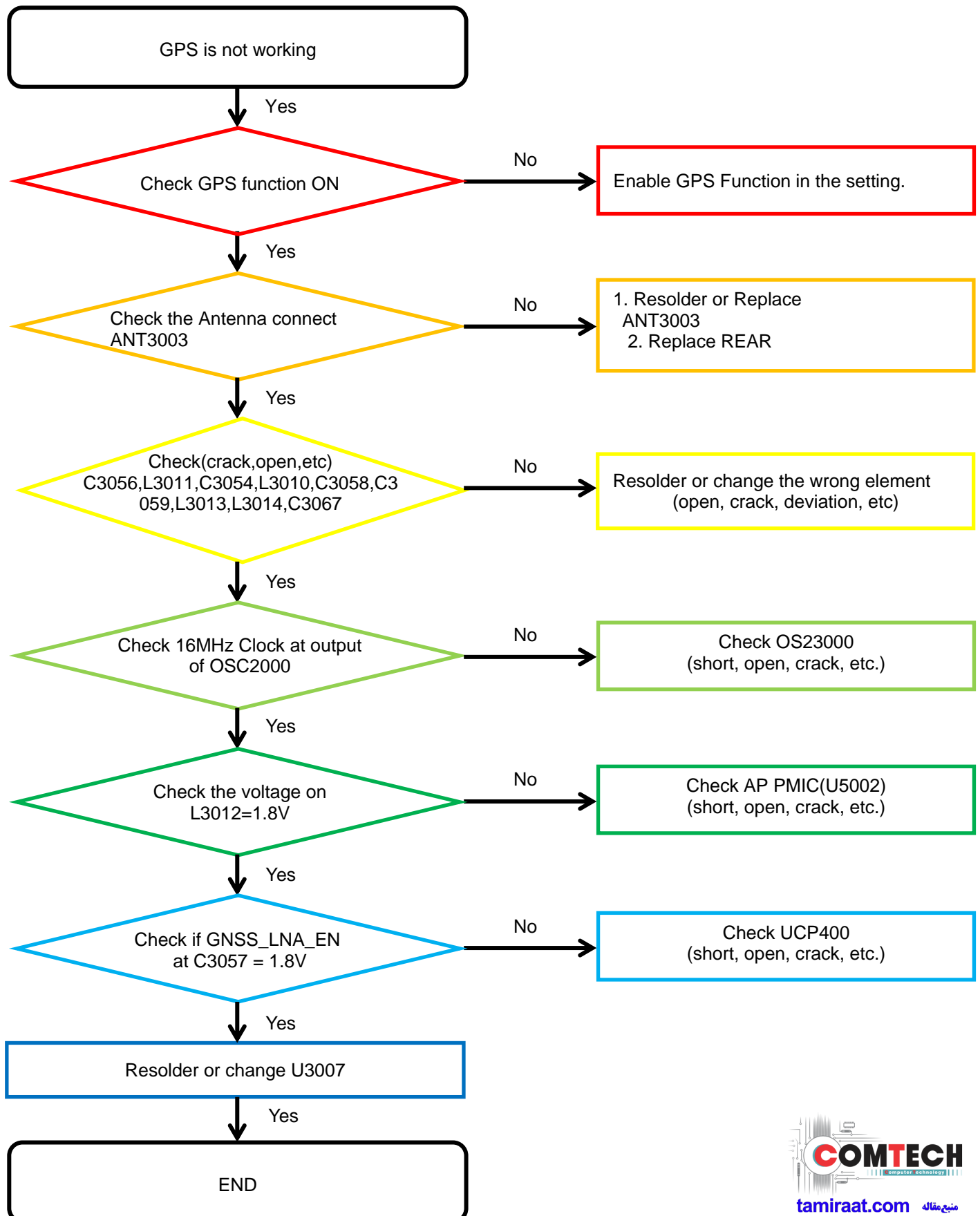
8. Level 3 Repair

8-4-11. BT/WIFI



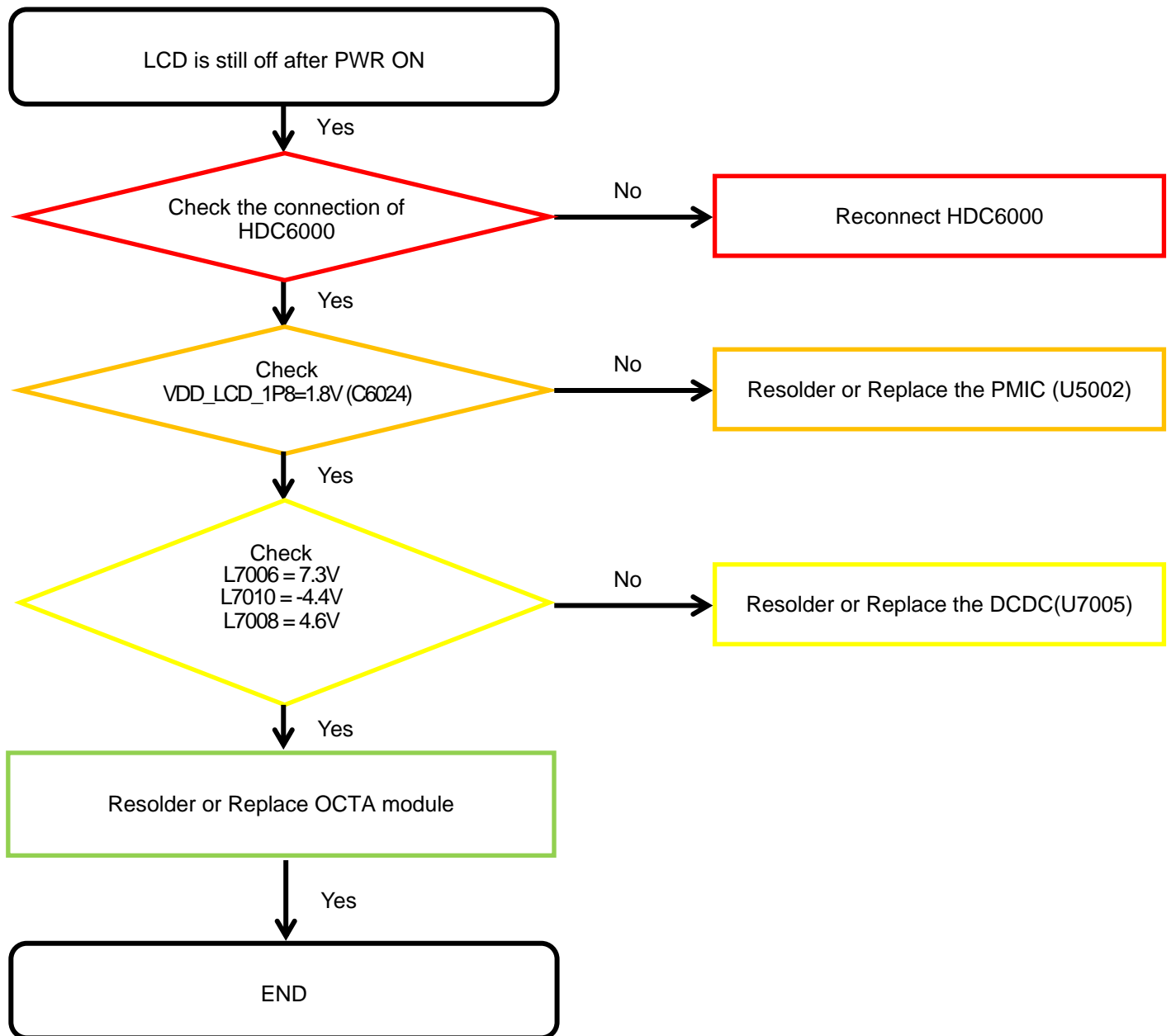
8. Level 3 Repair

8-4-12. GPS



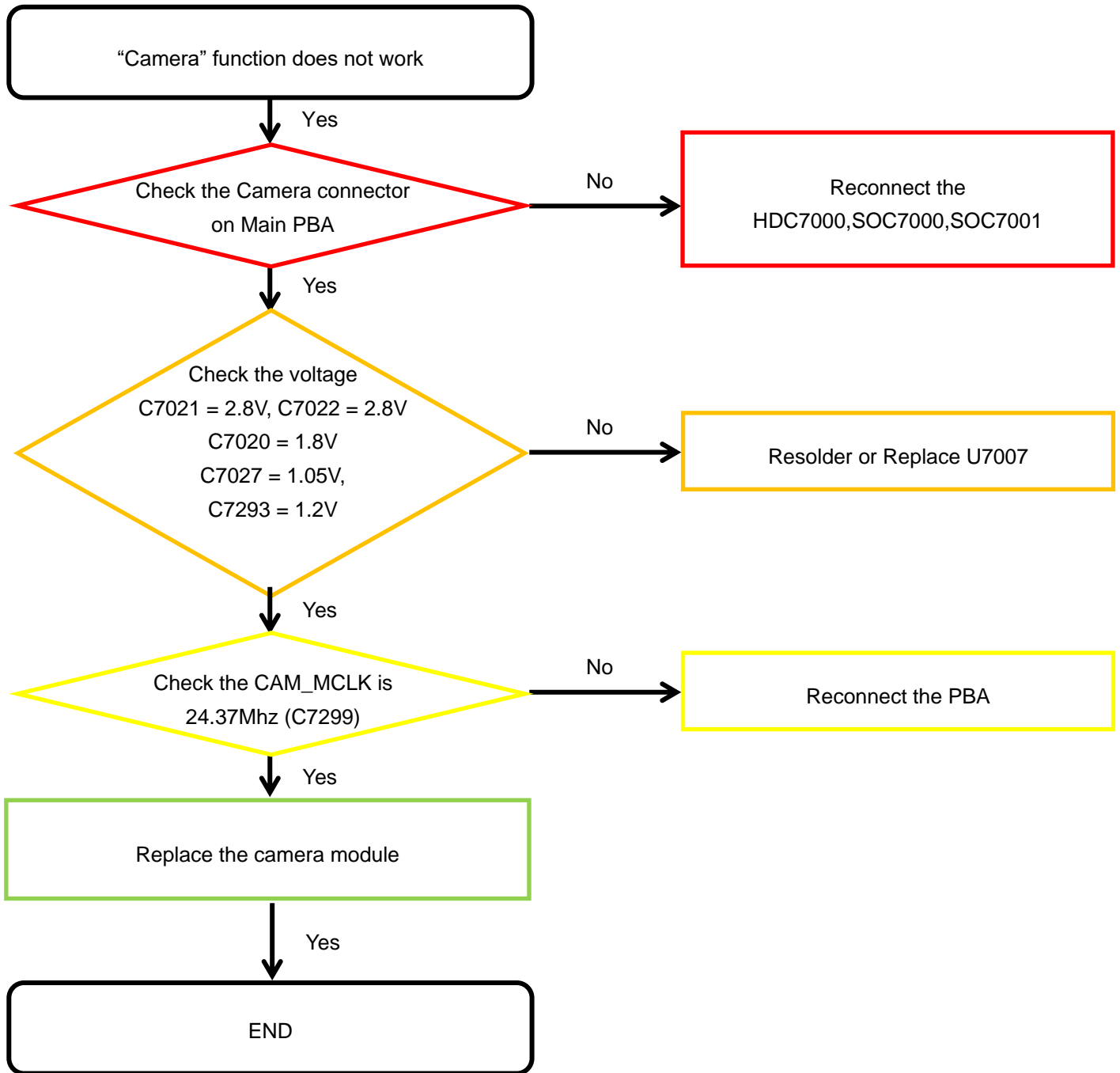
8. Level 3 Repair

8-4-13. Display



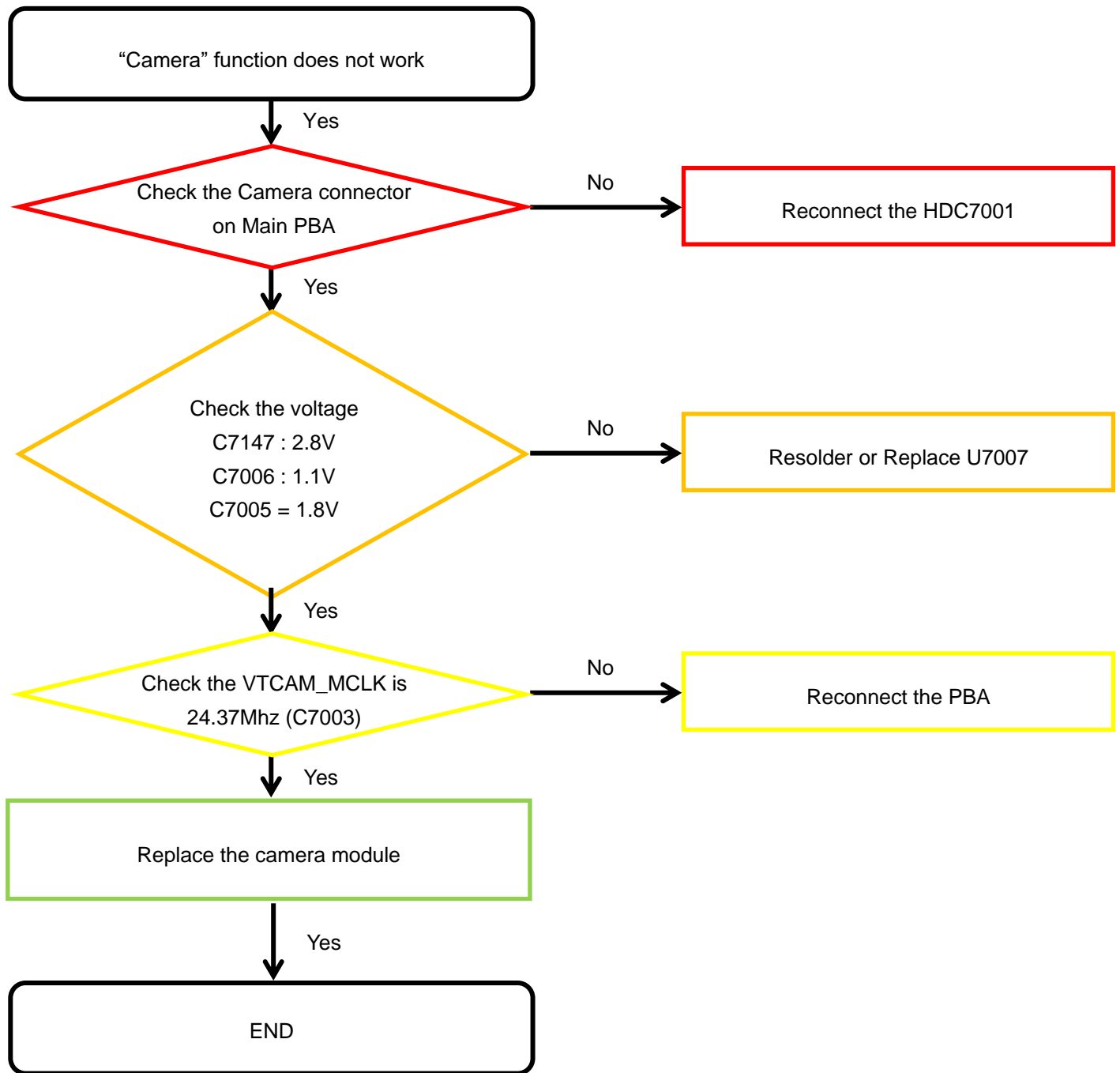
8. Level 3 Repair

8-4-14. Rear CAMERA



8. Level 3 Repair

8-4-15. Front CAMERA



8. Level 3 Repair

8-4-16. Motor

